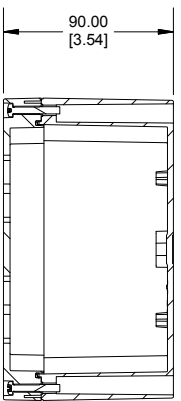
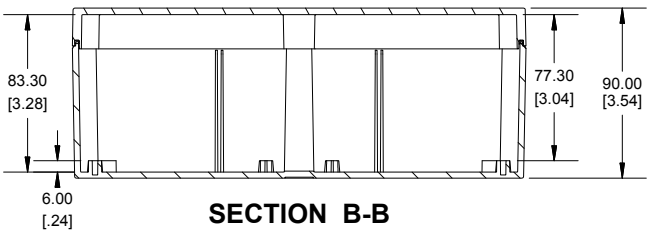


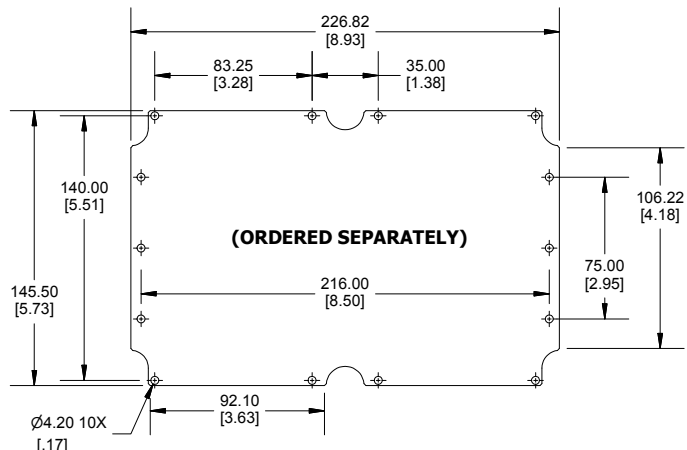
**ASSEMBLY**



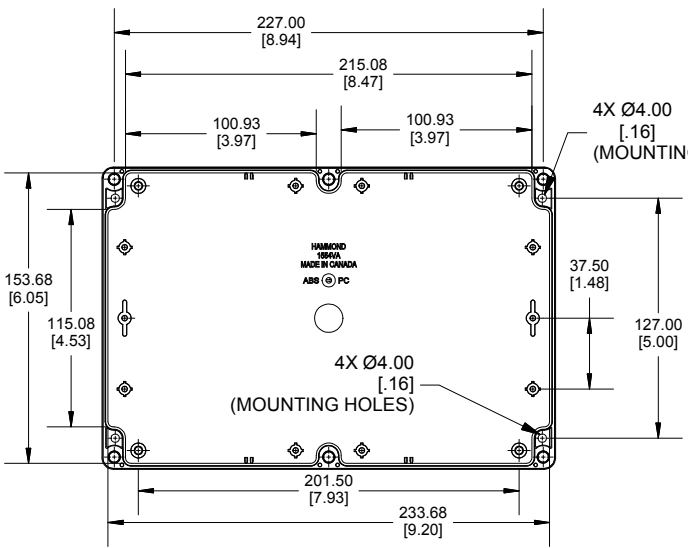
**SECTION A-A**



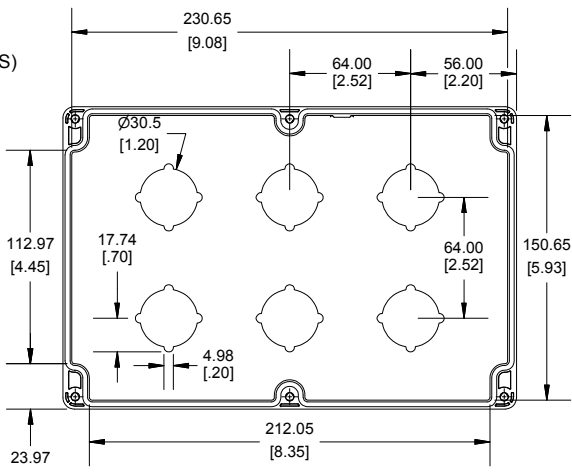
**SECTION B-B**



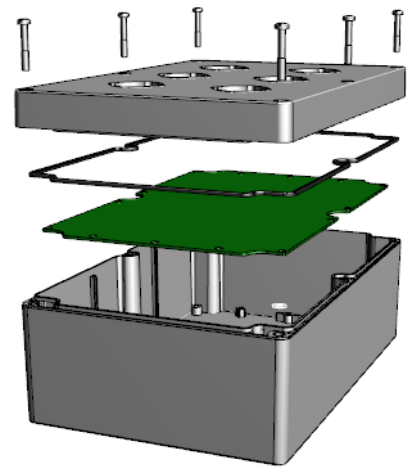
**STEEL INNER PANEL**



**BOX - INSIDE**



**LID - INSIDE**



SEE ENCLOSURE 1554VA FOR MORE DETAIL

POLYCARBONATE VERSION ONLY  
**UL** US LISTED  
 FILE #E65324  
 TYPE 4,4X,6,6P

Enclosures can be Factory Modified ( Milling, Drilling, Printing etc.)  
 Contact Factory [mjm@hammondmfg.com](mailto:mjm@hammondmfg.com) for quotes  
 Solid models of this enclosure available in STEP or IGES.  
 (Part number and text placement/orientation on our products are subject to change, we do not recommend using them as a locating reference for modification purposes)

<b>NOTE</b>	
Purchased assembly includes box, lid, 6 cover screws, and preformed silicone gasket.	
Polycarbonate version is UL 508A approved. (Matl UL94 - 5VA @ 3mm)	
Lid accepts 30.5mm push buttons	
<b>Recommended Cover screw torque -- 43-57 ozf-in (30-40 cN-m)</b>	

<b>1554PB</b>	
1554PB Enclosure	
Polycarbonate RAL-7035	1554PB6A
ACCESSORIES	
Steel Inner Panels	1554VAPL
Steel Panel / P.C. Board (Pkg 100) [M3-0.5 x 8mm Plated]	1591MM100
Steel Panel / P.C. Board Self Tapping Screw [#6 X 1/4" (6.4mm) Plated] (Pkg 100)	1598ATS100
Cover Screws (Pkg 50) [M4-0.7 X 25mm Stainless Steel]	SC583-50

**HAMMOND MANUFACTURING**  
**1554PB6A**  
[www.hammondmfg.com](http://www.hammondmfg.com)

Dimensions:  
 mm  
 [inches]