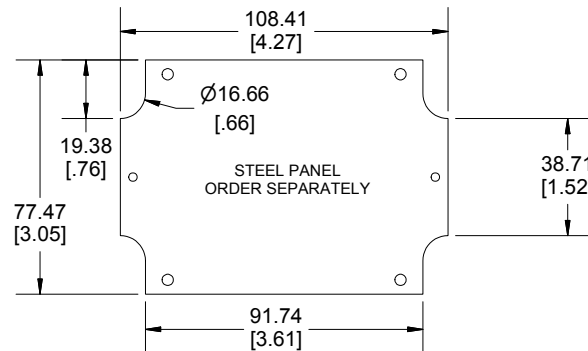
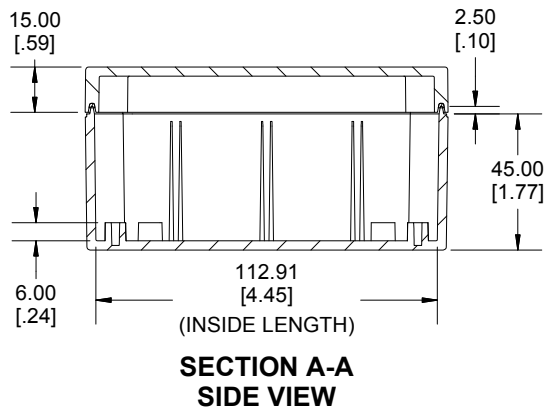
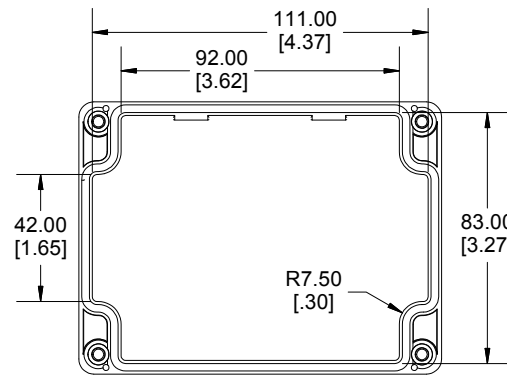
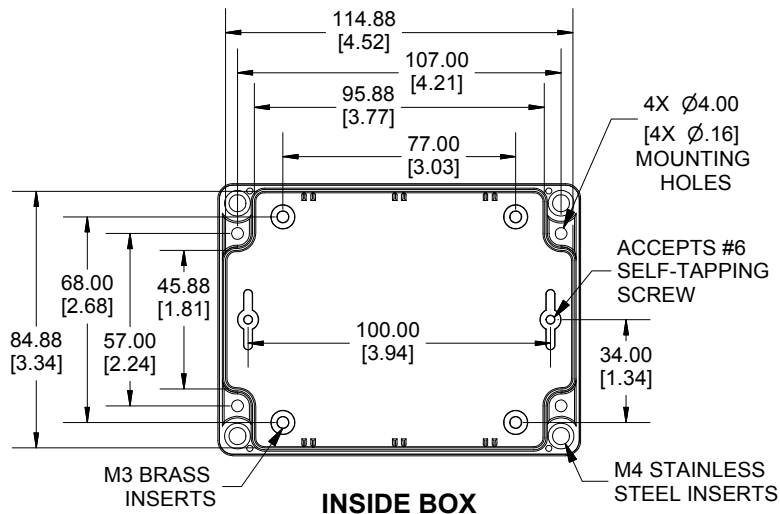


POLYCARBONATE  
VERSION ONLY  
 US LISTED  
 FILE #E65324  
 NEMA 4, 4X



Enclosures can be Factory Modified ( Milling, Drilling, Printing etc.)  
 Contact Factory [mjm@hammondmfg.com](mailto:mjm@hammondmfg.com) for quotes  
 Solid models of this enclosure available in STEP or IGES.  
 (Part number and text placement/orientation on our products are subject to change,  
 we do not recommend using them as a locating reference for modification purposes)

**NOTE**  
 Purchased assembly includes box, lid, 4 cover screws, and preformed silicone gasket.  
 General Purpose ABS version is not UL approved. (Matl UL94 - HB)  
 Polycarbonate version is UL 508 approved. (Matl UL94 - 5VA @ 3mm)  
**Recommended Cover screw torque -- 2.5 lbf-in (30 cN-m)**



Dimensions:  
mm  
[inches]

1554F	
1554F Regular Enclosure	
General Purpose ABS RAL-7035	1554FGY
Polycarbonate RAL-7035	1554F2GY
1554F Clear / Smoke Lid Enclosure	
Polycarbonate Box / Clear Polycarbonate Lid	1554F2GYCL
Polycarbonate Box / Smoke Polycarbonate Lid	1554F2GYSL
ACCESSORIES	
Steel Inner Panels	1554FPL
Steel Panel / P.C. Board Machine Screw [M3 x 8mm Plated]	1591MM100
Steel Panel / P.C. Board Self Tapping Screw [#6 X 1/4" (6.4mm) Plated]	1598ATS100
Cover Screws (Pkg 4) [M4 X 20mm Stainless Steel]	SC1554
Silicone Pre-formed Gasket Black	1554FGASKET

 **HAMMOND MANUFACTURING®**  
**1554F**  
[www.hammondmfg.com](http://www.hammondmfg.com)