



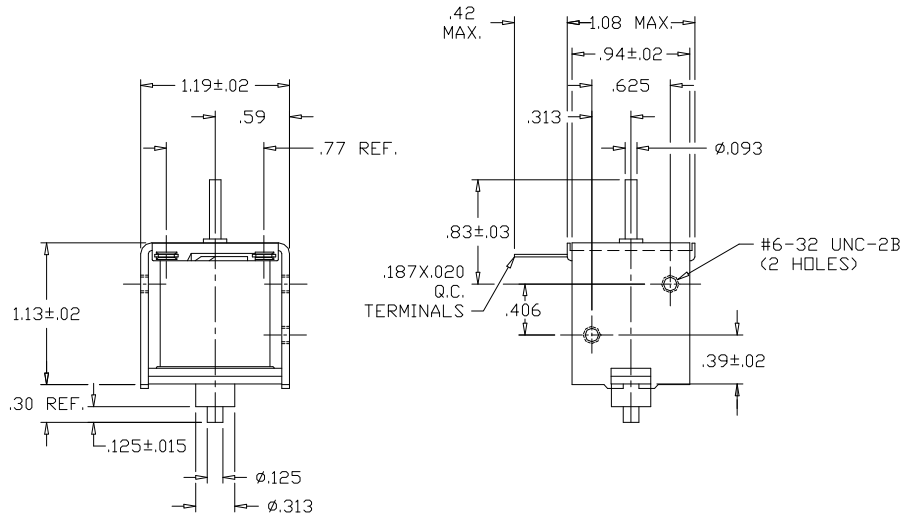
GUARDIAN Electric Manufacturing

ISO 9001 / AS9100 Certified Company

Woodstock, IL 60098 Ph. (815)334-3600 Fax (815)337-0377

Or visit us at our website www.guardian-electric.com

Model 28P Push AC Frame Solenoid



Solenoid shown energized and fully seated.

Total Weight: 3.5 oz.

Plunger Weight: .5 oz.


Model No.	Part No.	Duty Cycle	Volts	Res. (Ω)	Power (VA)	Current, Seated (mA)
28P-I-120A	A420-065587-00	*Intermittent	120	220	22	183
28P-C-120A	A420-065586-00	Continuous	120	400	8	67
28P-I-240A	A420-065589-00	*Intermittent	240	900	22	92
28P-C-240A	A420-065588-00	Continuous	240	1600	8	33

When ordering, please refer to Part No., as listed above.

Consult factory for custom configurations.

Stroke (in.)	Push Force (oz.)							Holding Force (oz.)
	0.125	0.250	0.375	0.500	0.625	0.750	1.000	
Continuous Duty	11	8	6	4	n/a	n/a	n/a	13
*Intermittent Duty	18	14	9	5	n/a	n/a	n/a	15

UL Recognition

Recognized under the  Component Recognition Program of **Underwriters Laboratories, Inc.**

Continuous Duty

100% 'On' Time

*Intermittent Duty

25% 'On' Time, (240 Seconds 'On' Max. Followed By 720 Seconds 'Off' Min.)

RoHS

These parts comply with **RoHS** Directive 2002/95/EC