



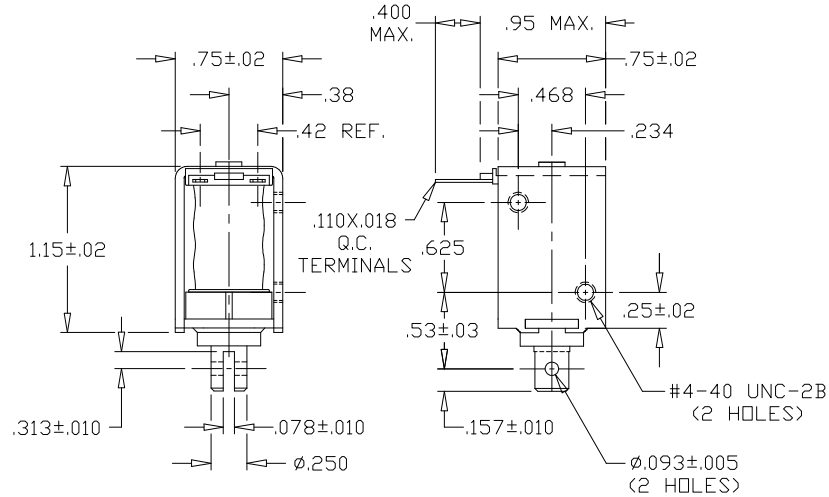
GUARDIAN Electric Manufacturing

ISO 9001 / AS9100 Certified Company

Woodstock, IL 60098 Ph. (815)334-3600 Fax (815)337-0377

Or visit us at our website www.guardian-electric.com

Model 22L Latching DC Frame Solenoid



Solenoid shown energized and fully seated.

Total Weight: 1.66 oz.

Plunger Weight: .26 oz.

Model No.	Part No.	Duty Cycle	Voltage	Resistance (Ω)	Power (W)	Current (mA)
22L-C-12D	A420-067879-00	Continuous	12VDC	30	5	400
22L-C-24D	A420-067881-00	Continuous	24VDC	120	5	200


When ordering, please refer to Part No., as listed above.

Consult factory for custom configurations.

* At 0 VDC (provided by permanent magnet latch).

Stroke (in.)	Pull Force (oz.)								Holding Force (oz.)
	0.050	0.125	0.250	0.375	0.500	0.625	0.750	1.000	
Continuous Duty	13	7	2	1	n/a	n/a	n/a	n/a	*48

UL Recognition

Recognized under the  Component Recognition Program of Underwriters Laboratories, Inc.

Continuous Duty

100% 'On' Time

RoHS

These parts comply with **RoHS** Directive 2002/95/EC