



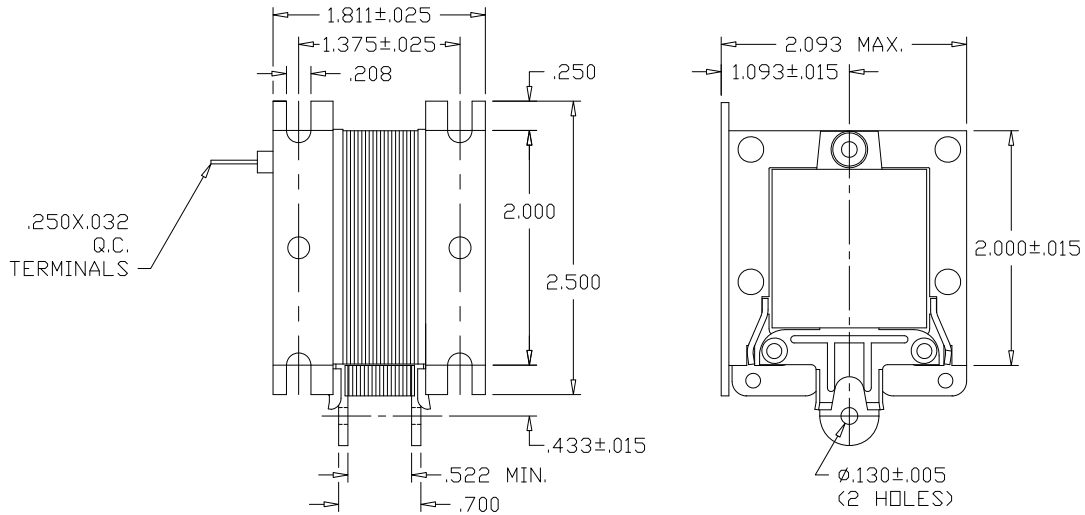
GUARDIAN Electric Manufacturing

ISO 9001 / AS9100 Certified Company

Woodstock, IL 60098 Ph. (815)334-3600 Fax (815)337-0377

Or visit us at our website www.guardian-electric.com

Model 18 Laminated AC Frame Solenoid



Solenoid shown energized and fully seated.

Total Weight: 17 oz.

Plunger Weight: 4.5 oz.


Model No.	Part No.	Duty Cycle	Volts	Res. (Ω)	Power (VA)	Current, Seated
18-I-120A	A421-062510-07	*Intermittent	120	8	228	1.9 A
18-C-120A	A421-062510-08	Continuous	120	20.3	49	408 mA
18-I-240A	A421-062510-09	*Intermittent	240	46.9	228	950 mA
18-C-240A	A421-062510-10	Continuous	240	80.7	49	204 mA

When ordering, please refer to Part No., as listed above.

Consult factory for custom configurations.

Stroke (in.)	Pull Force (oz.)							Holding Force (oz.)
	0.125	0.250	0.375	0.500	0.625	0.750	1.000	
Continuous Duty	155	115	105	105	105	100	60	245
*Intermittent Duty	336	240	200	195	200	195	144	430

UL Recognition

Recognized under the  Component Recognition Program of **Underwriters Laboratories, Inc.**

Continuous Duty

100% 'On' Time

*Intermittent Duty

10% 'On' Time, (180 Seconds 'On' Max. Followed By 1620 Seconds 'Off' Min.)

RoHS

These parts comply with **RoHS** Directive 2002/95/EC