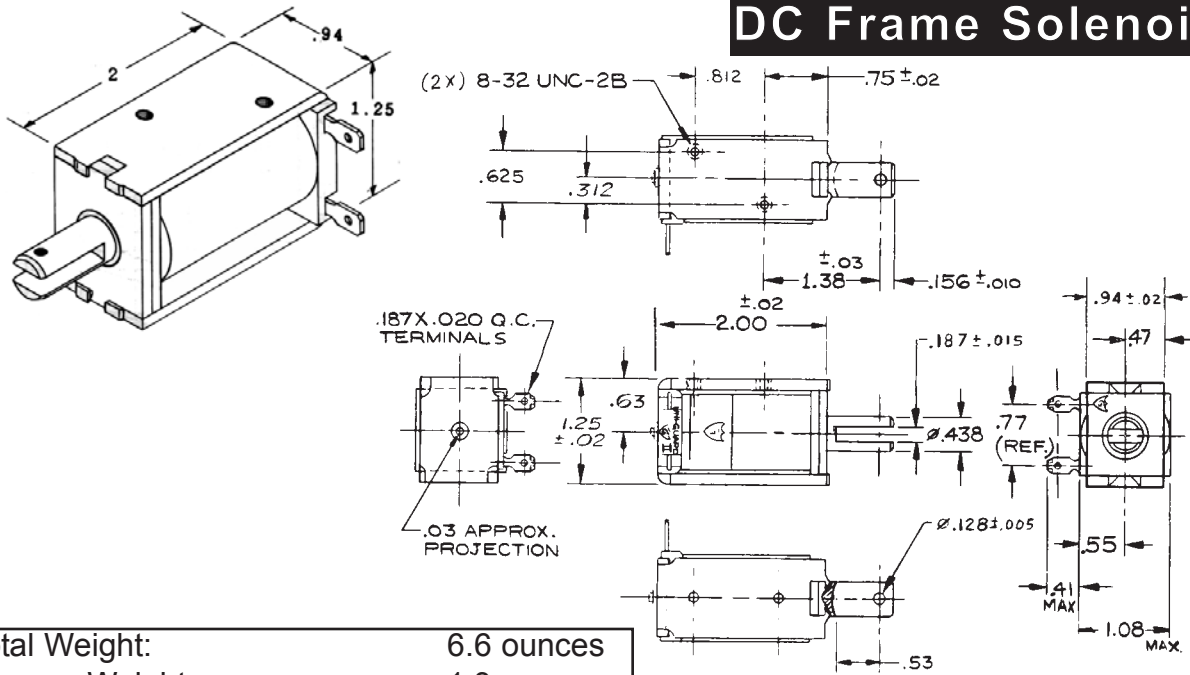



# Model 11HD Heavy Duty DC Frame Solenoid



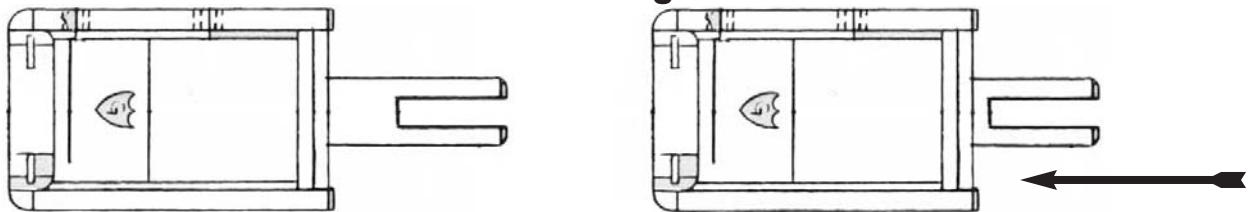
Total Weight: 6.6 ounces  
Plunger Weight: 1.3 ounces

Duty Cycle:	Continuous 100% On-Time	Intermittent 25% (100 Seconds Max)	UL Recognition
Power Consumption:	7.8 Watts	20 Watts	Recognized under the Component Recognition Program of Underwriters Laboratories Inc. 
Current Draw: 12VDC	0.632 Amp	1.54 Amps	
24VDC	0.315 Amp	0.82 Amps	
Holding Force: 12VDC	150 ounces	168 ounces	
24VDC	150 ounces	168 ounces	
Resistance: 12VDC	19.0 Ohms	7.78 Ohms	
24VDC	76.3 Ohms	29.3 Ohms	

## Pull Force in ounces

Stroke, in inches:	0.050"	0.125"	0.250"	0.375"	0.500"	0.625"	0.750"	1.000"
Continuous Duty:	70	35	14	8	5	3	2	1
Intermittent Duty:	110	73	35	22	18	10	7	5

## Direction of Plunger Travel



On the left, the solenoid is at rest, with power removed. On the right, power is applied and the plunger retracts into the body of the solenoid in the direction of the arrow. Optional spring kits return plunger to the "rest" position.

Guardian part numbers look like this:

**11HD - I - 12VDC**

The first number is the model number, the middle letter defines Intermittent or Continuous Duty cycle, and the third number is the power supply to the solenoid.

## Ordering Information

