

# M38999/10 Dummy Stowage Receptacle Bayonet Coupling

**MATING CONNECTOR**

MIL-DTL-38999 Series II and  
MIL-DTL-27599, Series II

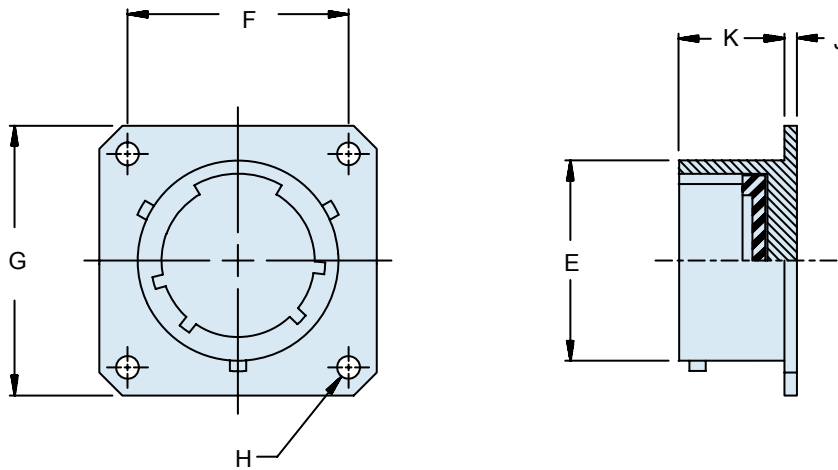
Basic  
Part No.

**Finish**

*B = Cadmium Olive Drab  
over Electroless Nickel*

**M38999/10 - 12 B**

Shell Size



**TABLE I: Dash Number, Cable Entry  
and Backshell Dimensions**

Shell Size	E Max		F		G Max		H Nom		J Max		K	
		(mm)		(mm)		(mm)		(mm)		(mm)	±.010	(.3)
8	.474	(12.0)	.594	(15.1)	.828	(21.0)	.120	(3.0)	.069	(1.8)	.451	(11.5)
10	.591	(15.0)	.719	(18.3)	.954	(24.2)	.120	(3.0)	.069	(1.8)	.451	(11.5)
12	.751	(19.1)	.812	(20.6)	1.047	(26.6)	.120	(3.0)	.069	(1.8)	.451	(11.5)
14	.876	(22.3)	.906	(23.0)	1.141	(29.0)	.120	(3.0)	.069	(1.8)	.451	(11.5)
16	1.001	(25.4)	.969	(24.6)	1.234	(31.3)	.120	(3.0)	.069	(1.8)	.451	(11.5)
18	1.126	(28.6)	1.062	(27.0)	1.328	(33.7)	.120	(3.0)	.069	(1.8)	.451	(11.5)
20	1.251	(31.8)	1.156	(29.4)	1.453	(36.9)	.120	(3.0)	.069	(1.8)	.451	(11.5)
22	1.376	(35.0)	1.250	(31.8)	1.578	(40.1)	.120	(3.0)	.069	(1.8)	.451	(11.5)
24	1.501	(38.1)	1.375	(34.9)	1.703	(43.3)	.147	(3.7)	.069	(1.8)	.451	(11.5)

**APPLICATION NOTES**

1. Assembly to be identified with manufacturer's name and part number, space permitting.
2. For complete dimensions, see the applicable Military Specification.
3. Metric dimensions (mm) are in parentheses.