



Gears & Fuse Gears

American General Purpose Fuses Cylindrical & Blade Fuse Blocks Midget & Class CC Fuse Block



600 VOLT MIDGET AND CLASS CC FUSE BLOCKS

Ferraz Shawmut Midget Fuse Blocks accommodate all 30 ampere 1-1/2" x 13/32" midget fuses. Class CC Fuse Blocks accommodate all 30 ampere Class CC fuses. A choice of box, screw, or pressure-plate connectors fit a wide range of stranded or solid copper wire. Insulators are glass-filled poly-carbonate (GFPC) with verified dielectric strength in excess of 2500V. Fuse blocks feature a unique adder block which can be snapped onto 1-, 2- or 3-pole blocks to form multi-pole segmented blocks of as many poles as desired. All fuse clips are made of high conductivity tin-plated copper alloy.

Ratings

- 600VAC: 30A
- Withstand rating: 200kA using screw, pressure plate or box connections, 10kA using quick connects
- Temperature/flammability: GFPC insulators rated 125°C, 94V-0 flammability.

Approvals

- All fuse blocks meet the requirements of UL Std. 512
- Midget Block UL Recognized Component Guide IZLT2, File E52283
- CSA Certified Class 6225, File 32169
- Class CC Block UL Listed, Guide IZLT, File E52283
- CSA Certified Class 6225, File 32169



Recommendes fuse usage

Midget Fuse Block .use with ATQ, ATM, A6Y-2B, A25Z-2,TRM, OTM, A13X-2, GFN, GGU, A60Q-2
 Class CC Fuse Block use with ATDR, ATMR, ATQR

Clip & Connector Types

30A MIDGET/CC

COPPER BOX
CONNECTOR



SCREW WITH
DOUBLE QUICK-
CONNECTS



PRESSURE PLATE
WITH DOUBLE
QUICK-CONNECTS



PRESSURE PLATE WITH
DOUBLE QUICK- CON-
NECTS (CLASS CC
REJECTION END)

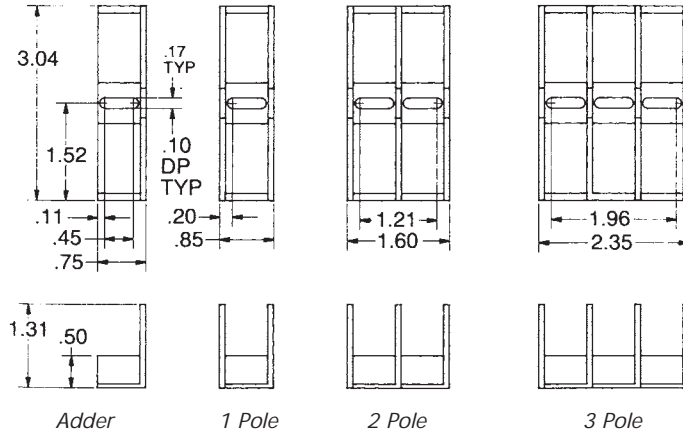


Gears & Fuse Gears



American General Purpose Fuses Cylindrical & Blade Fuse Blocks Midget & Class CC Fuse Block

600 VOLT MIDGET AND CLASS CC FUSE BLOCKS



Recommended mounting screws for all Midget and Class CC fuse blocks: #8 (.164" dia.)

600 Volt, 30A Midget and Class CC Fuse Blocks

Connector Type	Wire Range	Poles*	Type of Fuse						Connector Torque In-lb (N.m)
			Cat. Number	Midget Ref. Number	Listing	Cat. Number	Class CC Ref. Number	Listing	
Screw w/double quick connects at both ends	Cu #10-14	ADDER	30310	N211888		30310R	W204857		20 (2.3)
		1	30311	A212405		30311R	R212397		
		2	30312	E214456		30312R	Z212910		
		3	30313	F214963		30313R	M213428		
Pressure plate (sems) w/double quick connects at both ends	Cu #10-14	ADDER	30320	S218033		30320R	Z217510		20 (2.3)
		1	30321	Y218544		30321R	M218534		
		2	30322	K222787		30322R	Y219579		
		3	30323	B201642		30323R	B222779		
Copper box	Cu #6-14	ADDER	30350	F214457		30350R	N213429		35 (4)
		1	30351	G214964		30351R	G213929		
		2	30352	L216486		30352R	V214447		
		3	30353	Z217004		30353R	X214955		
		4	30354	J217519	30354R	Z215463			

Note: To convert Midget or Class CC adder pole to single pole, use end barrier #U09301.

* Available in any number of poles. Replace last digit in Catalog Number with number of poles needed. Example: 303112 is a 12-pole screw/double QC connector Midget Fuse Block.

Total width of N poles = (N x .76) + .08 inches. 12 poles = (12 x .76) + .08" = 9.20".

Note: See fuse block accessories: DFC3M, DFC3LP, DRM