

Forklift Truck Fuses

Mersen Forklift Truck and Battery Isolator fuses are specially designed for the heavy duty loads associated with DC battery powered equipment such as forklift trucks, hand trucks, motorized work platforms, and other DC battery operated systems. Rugged construction and stud mounted bolt-in design assure a long life in adverse conditions for these fuses. This expanded line of Forklift Truck Fuses can fulfill virtually all of your heavy duty circuit protection needs up to 125V AC or DC. The round body ACK, ACL and ALS fuses combine higher voltage ratings and more ampere ratings with higher interrupting ratings. The flat CNL and CNN style fuses have a lower voltage rating but are also AC and DC, more space saving and have visual “see-thru” indication to show when they have operated.

Features/Benefits:

- All fuses are AC and DC rated
- Expanded ampere ratings
- Time-delay and general purpose types
- Link is visible through window (CNL/CNN)

Highlights:

- AC/DC ratings
- Embossed catalog No's.
- Stud mounted
- Time-delay - ACK
- General purpose - ACL,ALS

Applications:

- Forklift trucks
- Battery hand trucks
- Motorized work platforms
- Battery systems

Recommended Fuse Blocks for Forklift Truck Fuse Fuses

Fuse	Fuse Block
ACK(70-100)	P243C
ACL(70-120)	P243E
CNL	FTFH, FTFH-1
CNN	FTFH, FTFH-1



Ratings:

ACK:

Volts : 125VAC / DC
Amps : 1 to 400A
IR : 10kA I.R. AC / DC

ACL

Volts : 125VAC / DC
Amps : 30 to 120A
IR : 100kA I.R. AC
 : 10kA I.R. DC

ALS

Volts : 125VAC / DC
Amps : 100 to 500A
IR : 10kA I.R. AC / DC

CNL

Volts : 80V AC / DC
Amps : 35 to 500A
IR : 2.5kA I.R. AC / DC

CNN

Volts : 130V AC
Amps : 10-800A
Volts : 75V DC
Amps : 10 to 300A
Volts : 48V DC
Amps : 301-800A
IR : 2.5kA I.R. AC / DC

Approvals:

- UL recognized components
 (All Products) File E60314



Forklift Truck Fuses

Catalog Numbers (amps)

ACK Fuse

ACK1	ACK20	ACK70	ACK160
ACK2	ACK25	ACK80	ACK175
ACK3	ACK30	ACK90	ACK200
ACK5	ACK35	ACK100	ACK225
ACK6	ACK40	ACK120	ACK250
ACK10	ACK50	ACK140	ACK300
ACK15	ACK60	ACK150	ACK400

ACL Fuse

ACL30	ACL70
ACL35	ACL80
ACL40	ACL90
ACL50	ACL100
ACL60	ACL120

ALS Fuse

ALS100	ALS300
ALS150	ALS350
ALS175	ALS400
ALS200	ALS450
ALS225	ALS500
ALS250	-

CNL/CNN:

CNN			CNL		
CNN10	-	CNN350	-	CNL130	CNL350
CNN35	CNN150	CNN400	CNL35	CNL150	CNL400
CNN40	CNN175	CNN500	CNL40	CNL175	CNL500
CNN50	CNN200	CNN600	CNL50	CNL200	CNL600
CNN60	CNN225	CNN225	CNL60	CNL225	CNL675
CNN80	CNN250	-	CNL80	CNL250	-
CNN90	CNN275	CNN700	-	CNL275	CNL750
CNN100	CNN300	-	CNL100	CNL300	-
CNN125	CNN325	CNN800	CNL125	CNL325	-

Dimensions

Catalog No.	Outline Figure	A In. (mm)	B In. (mm)	C In. (mm)	D In. (mm)	E In. (mm)	F In. (mm)	G In. (mm)
ACK 1-30	1	3.07 (77.9)	2.5 (63.5)	.56 (14.3)	.5 (12.7)	.28 (7.1)	.593 (15)	.03 (.8)
ACK 35-60	1	3.74 (95)	3 (76.2)	.81 (20.6)	.75 (19.1)	.34 (8.7)	.86 (21.8)	.047 (1.2)
ACK 70-100	1	4.46 (113.4)	3.5 (88.9)	1.06 (26.9)	1 (25.4)	.38 (9.5)	1.12 (28.5)	.06 (1.6)
ACK 120-200	1	4.72 (119.8)	3.75 (95.4)	1.06 (26.9)	1 (25.4)	.38 (9.5)	1.12 (28.5)	.06 (1.6)
ACK 225-400	1	4.71 (119.7)	3.75 (95.4)	1.06 (26.9)	1 (25.4)	.38 (9.5)	1.12 (28.5)	.06 (1.6)
ACL 30-60	1	3.07 (77.9)	2.5 (63.5)	.56 (14.3)	.5 (12.7)	.28 (7.1)	.593 (15)	.03 (.8)
ACL 70-120	1	3.49 (88.6)	2.75 (69.9)	.81 (20.6)	.75 (19.1)	.34 (8.7)	.86 (21.8)	.047 (1.2)
ALS 100-500	1	4.71 (119.7)	3.75 (95.4)	1.06 (26.9)	1 (25.4)	.38 (9.5)	1.12 (28.5)	.06 (1.6)
CNL/CNN	2	3.188 (80.9)	2.44 (61.9)	.89 (22.6)	.75 (19.0)	.34 (8.7)	-	-

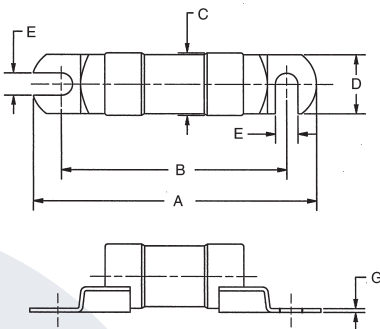


Figure 1

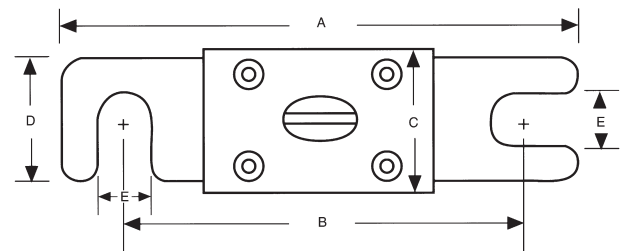


Figure 2