

FUJI ED & C TIMES

New Products

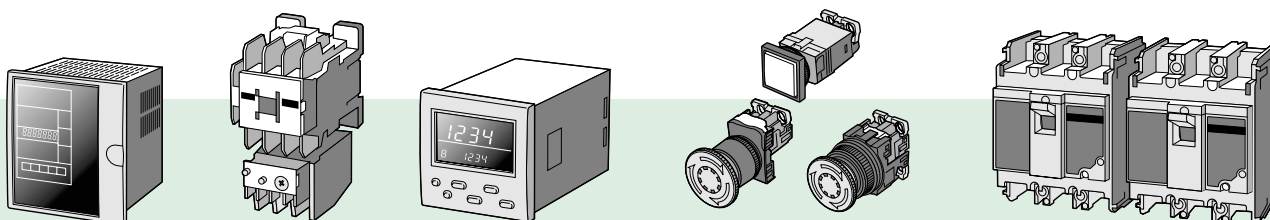
Reversing standard type contactors SC-E series	2
Manual motor starters Power supply terminal covers	5
22mm-dia. emergency stop pushbutton switches AR22 series	6
22mm-dia. emergency stop pushbutton switches AM22 series	8
Display lights DP36 and 40 series	10
Power terminal blocks SKT series	12
AC voltage and current transducers WT2AC series	14
Arresters for low voltage circuit CN233 series	16
AC power distribution monitoring unit for one feeder, F-MPC04 series and CC2D CTs	18

Modified Products

Miniature control relays / HH52, HH54 series	22
Miniature control relays / Sockets for rail mounting	22
Display lights and multi display lights	23
Manual motor starters / BM3 series	23

Discontinued Products

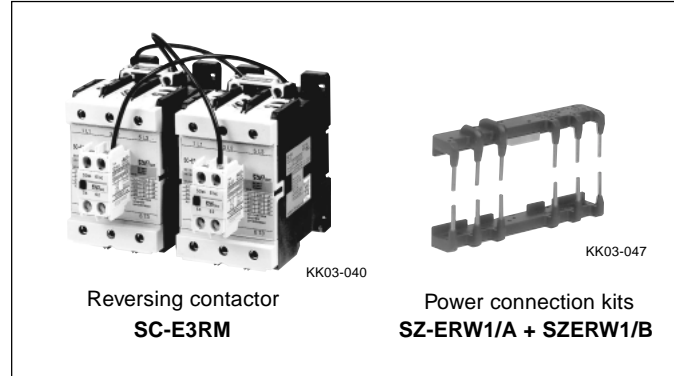
AS-Interface Waterproof connector-type slave module FM6D, FM6B	24
AS-Interface Power supply FP1B-JNW213	24
AS-Interface DeviceNet/AS-i gateway FC2L-DL	24



Ideal for reversing 3-phase induction motors

■ Features

- Designed for the forward-reverse operation and plugging stop of 3-phase induction motors.
- Mechanical interlock mechanism provided
- Snap-on 35mm top hat rail mounting



■ Types and ratings

• AC operated

Frame size	Motor rating (kW)		Rated operational current (A)				Rated thermal current (A)	Auxiliary contact arrangement	Type
	3-phase (AC-3)		3-phase (AC-3)		Resistive load (AC-1)				
	200-240V	380-440V	200-240V	380-440V	200-240V	380-440V			
E02	2.2	4	9	9	20	20	20	(1NO+1NC) x 2, 2NC x 2 (3NO+1NC) x 2, (2NO+2NC) x 2	SC-E02RM *
E03	3	5.5	12	12	20	20	20	(1NO+1NC) x 2, 2NC x 2 (3NO+1NC) x 2, (2NO+2NC) x 2	SC-E03RM *
E04	4	7.5	18	18	25	25	25	(1NO+1NC) x 2, 2NC x 2 (3NO+1NC) x 2, (2NO+2NC) x 2	SC-E04RM *
E05	5.5	11	25	25	32	32	32	(1NO+1NC) x 2, 2NC x 2 (3NO+1NC) x 2, (2NO+2NC) x 2	SC-E05RM *
E1	7.5	15	32	32	50	50	50	(1NO+1NC) x 2, 2NC x 2 (3NO+1NC) x 2, (2NO+2NC) x 2	SC-E1RM *
E2	11	18.5	40	40	60	60	60	(1NO+1NC) x 2, 2NC x 2 (3NO+1NC) x 2, (2NO+2NC) x 2	SC-E2RM *
E2S	15	22	50	50	65	65	65	(1NO+1NC) x 2, 2NC x 2 (3NO+1NC) x 2, (2NO+2NC) x 2	SC-E2SRM *
E3	18.5	30	68	65	100	100	100	(1NO+1NC) x 2, 2NC x 2 (3NO+1NC) x 2, (2NO+2NC) x 2	SC-E3RM *
E4	22	40	80	80	150	150	150	(1NO+1NC) x 2, 2NC x 2 (3NO+1NC) x 2, (2NO+2NC) x 2	SC-E4RM *
E5	30	55	105	105	150	150	150	(2NO+2NC) x 2	SC-E5RM
E6	37	60	125	125	150	150	150	(2NO+2NC) x 2	SC-E6RM
E7	45	75	150	150	200	200	200	(2NO+2NC) x 2	SC-E7RM

Notes: • Ratings conform to IEC standard

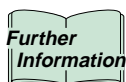
- The above types are shipped in a set containing two magnetic contactors, one SZ-RM mechanical interlock unit, two front mounting auxiliary contact blocks, and electrical interlock wiring. The power connection kit for the reversing contactor is sold separately.

• To prevent short-circuit faults when using SC-E02RM to SC-E04RM types for high-speed switching, provide a time delay relay or other electrical interlock to ensure that the switching time is 15ms min.

* Equipped with the SZ-A11/T, SZ-A02/T, SZ-A31/T, or SZ-A22/T front mounting auxiliary contact block.

• DC operated

DC reversing magnetic contactors are also available.



Contact FUJI .

• Power connection kits for reversing

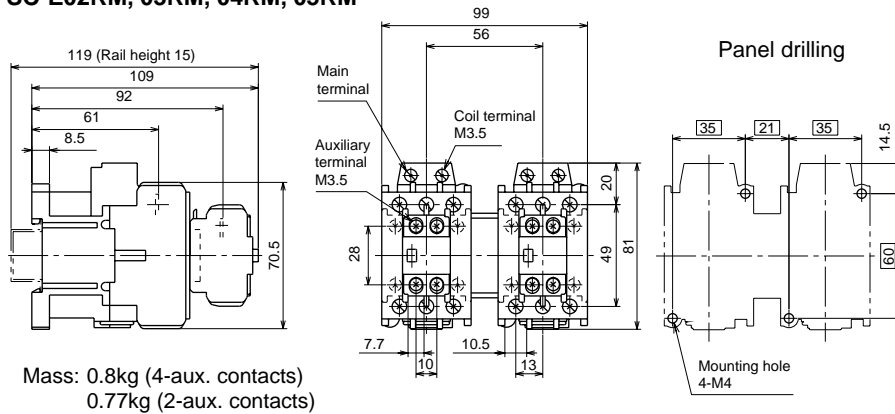
Power connection kit Type	Used with
SZ-ERW1/A (Line side)	SC-E02 to SC-E05
SZ-ERW1/B (Load side)	SC-E02/G to SC-E05/G
SZ-ERW1/D (Load side)	
SZ-ERW2/A (Line side)	SC-E1 to E2S
SZ-ERW2/B (Load side)	SC-E1/G to E2S/G
SZ-ERW2/D (Load side)	
SZ-ERW3/A (Line side)	SC-E3, E4
SZ-ERW3/B (Load side)	SC-E3/G, E4/G
SZ-ERW3/D (Load side)	

Power connection kit Type	Used with
SZ-ERW4/A (Line side)	SC-E5
SZ-ERW4/B (Load side)	
SZ-ERW5/A (Line side)	SC-E6
SZ-ERW5/B (Load side)	
SZ-ERW6/A (Line side)	SC-E7
SZ-ERW6/B (Load side)	

■ Dimensions, mm

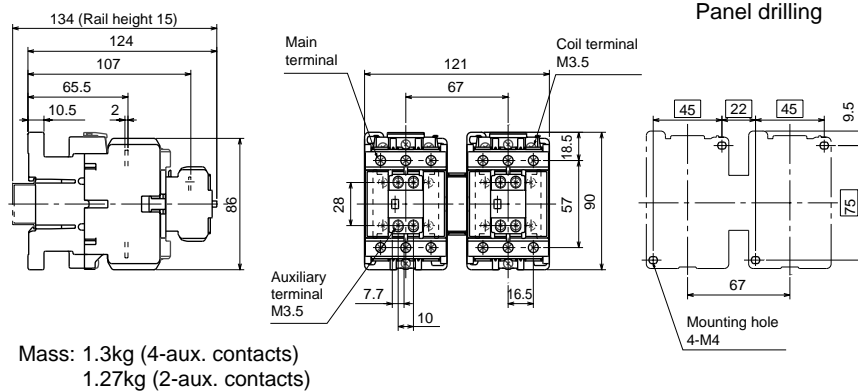
• AC operated

SC-E02RM, 03RM, 04RM, 05RM



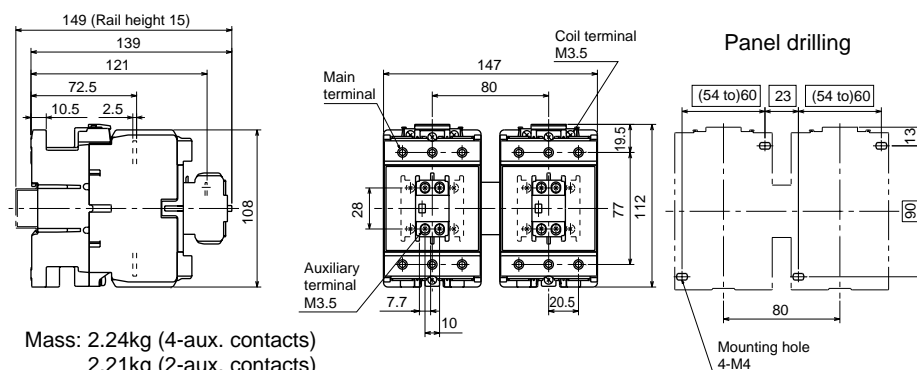
Mass: 0.8kg (4-aux. contacts)
0.77kg (2-aux. contacts)

SC-E1RM, E2RM, E2SRM



Mass: 1.3kg (4-aux. contacts)
1.27kg (2-aux. contacts)

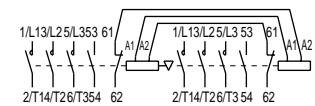
SC-E3RM, E4RM



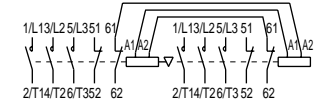
Mass: 2.24kg (4-aux. contacts)
2.21kg (2-aux. contacts)

■ wiring diagrams

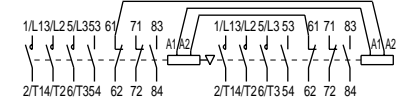
(1NO+1NC) x 2



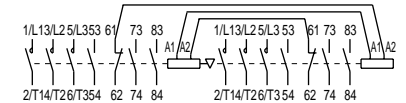
2NC x 2



(2NO+2NC) x 2



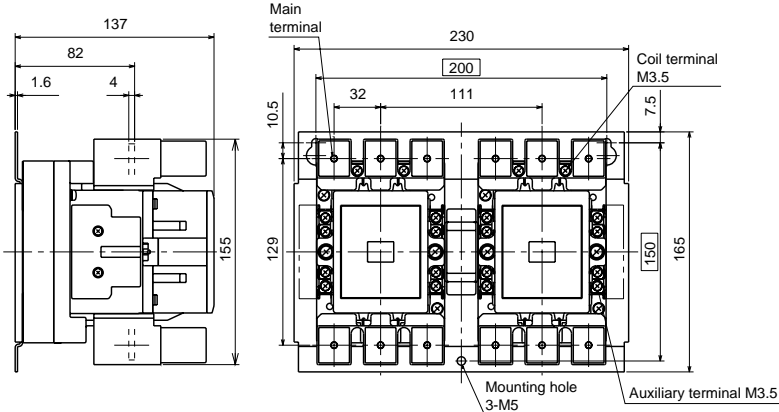
(3NO+NC) x 2



■ Dimensions, mm

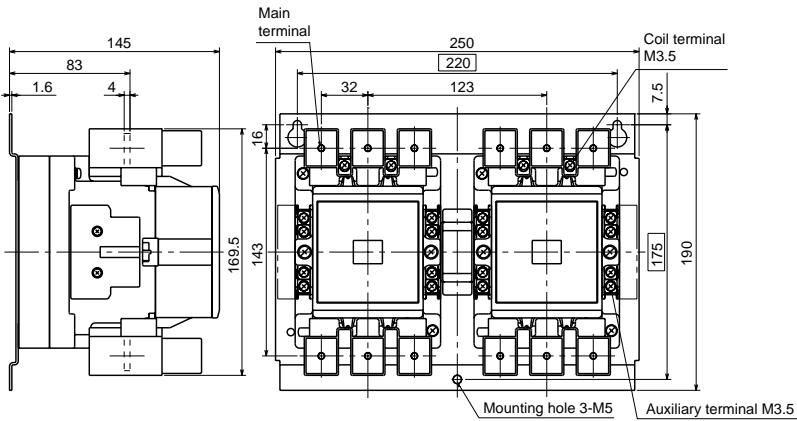
• AC operated

SC-E5RM



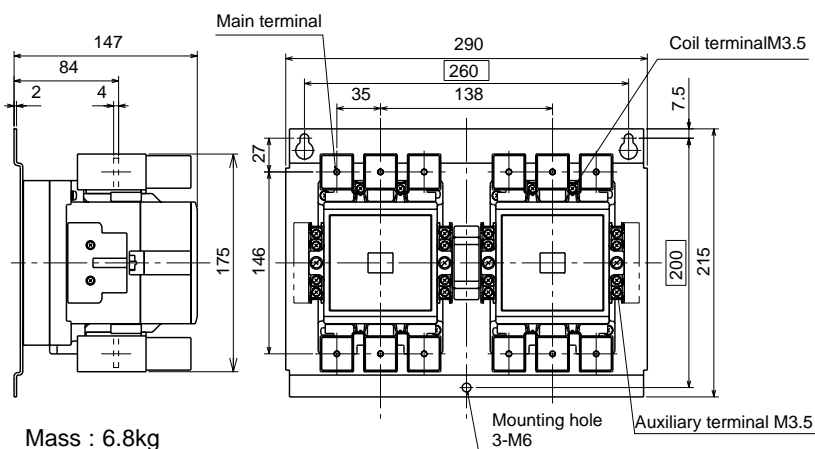
Mass : 4.64kg

SC-E6RM



Mass : 5.8kg

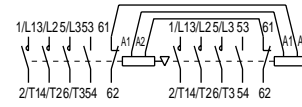
• SC-E7RM



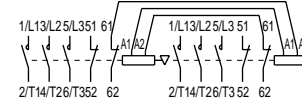
Mass : 6.8kg

■ wiring diagrams

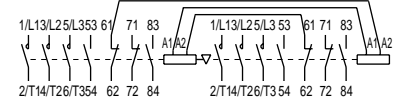
(1NO+1NC) x 2



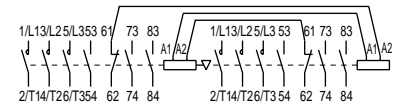
2NC x 2



(2NO+2NC) x 2



(3NO+NC) x 2



Manual motor starters Power supply terminal covers

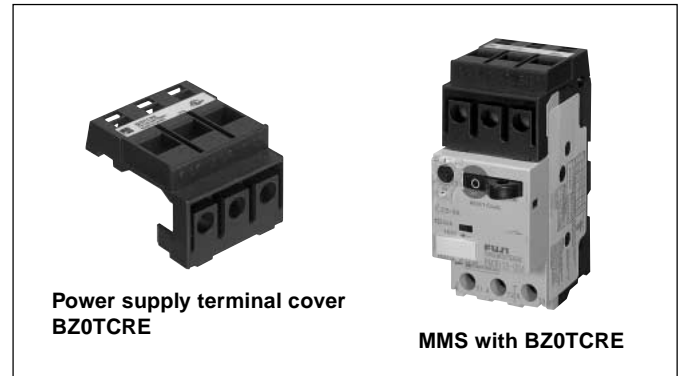
New power supply terminal covers allow UL508 Type E and UL508 Type F applications for MMSs

■ Features

- Combining the BZ0TCRE power supply terminal cover and BZ0TKUAB short-circuit alarm contact block in a FUJI BM3R series manual motor starter (MMS) allows it to be used as a manual self-protected combination controller (**Type E** combination motor controller). In the BM3V series, the BZ0TCRE power supply terminal cover is not necessary to fulfill the UL489 insulation distance requirement.
- Combining the BZ0TCRE power supply terminal cover and BZ0TKUAB short-circuit alarm contact block in a combination starter formed by a BM3R MMS and an SC-series magnetic contactor allows it to be used as a self-protected combination controller (**Type F** combination motor controller). In the BM3V series, the BZ0TCRE power supply terminal cover is not necessary to fulfill the UL489 insulation distance requirement.

Type E advantages

- Since the Type E can be used for branch circuit protection (BCP) as stipulated in NEC 430.52(c)(6), there is no need to provide upstream UL489-approved BCPs as short-circuit protection for motor branching circuits. Ordinarily, a separate BCP is necessary for each motor.
- It takes up less space inside the control panel.
Note: Using Type E to eliminate the need for a BCP applies only to motor load circuits. It cannot be applied to other loads, such as resistance load and lamp load circuits.

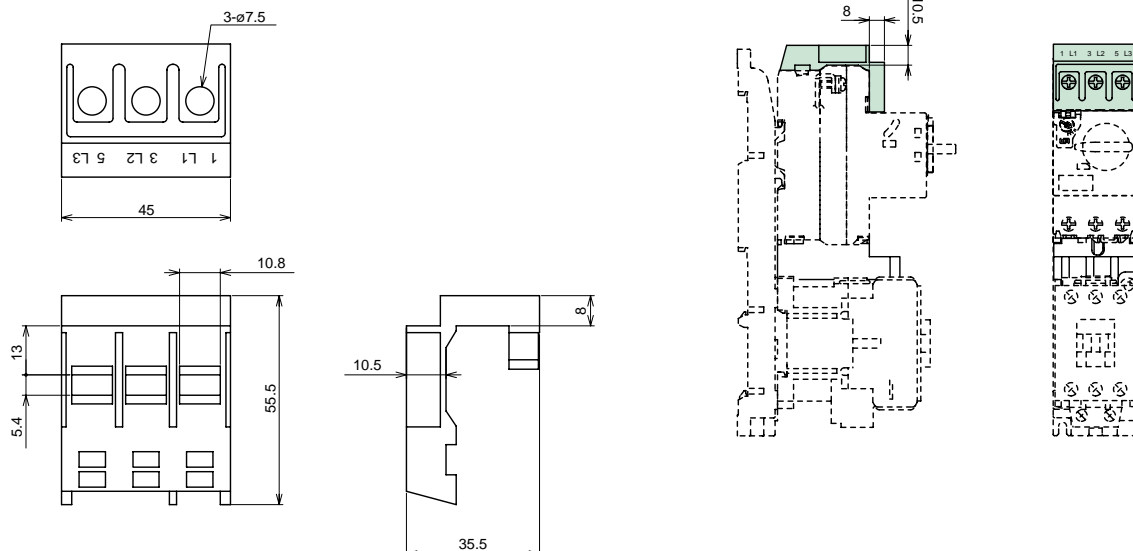


Type F advantages

- By including a compliant MMS in the Type E and applying it as a BCP as stipulated in NEC 430.52(c)(6), there is no need to provide upstream UL489-approved BCPs as short-circuit protection for motor branching circuits. Ordinarily, a separate BCP is necessary for each motor.
- It takes up less space inside the control panel.
Note: Using Type F to eliminate the need for a BCP applies only to motor load circuits. It cannot be applied to other loads, such as resistance load and lamp load circuits.

■ Type: BZ0TCRE

■ Dimensions, mm



22mm-dia. emergency stop pushbutton switches AR22 series

Integrated operator/contact block improves reliability.

■ Features

- Reliability of safety functions increased by integrated operator/contact block construction.
- LED (24V AC/DC) and neon (110V, 120V, 220V, 240V AC) illuminated types available, with interconnected lamp circuit that turns the lamp on when the contacts are closed.
- White arrow on red button clearly indicates push-lock/turn-reset direction.
- Combination of AU-flashed Ag contacts and sliding mechanism ensures high contact reliability.
- Terminal cover for protection degree IP2X increases worker safety by preventing fingers from accidentally touching charged parts.
- FUJI original trigger action mechanism stops contacts from operating until the button is locked, to prevent accidental pressing by a person or object.
- Forced contact opening mechanism securely breaks the circuit even during errors, such as the partial welding of 1NC contacts.
- Conforms to international standards, including UL/CSA and EN European Standards (TÜV), and bears CE markings.



■ Types and ratings

• Emergency stop pushbutton switches EN418

Forced contact opening and trigger action mechanisms

Operator	Contact arrangement	Type	Button color
40mm dia. Push-lock, turn-reset	1NC	AR22VGE-01R	Red
	1NO+1NC	AR22VGE-11R	
	2NC	AR22VGE-02R	

• Emergency stop illuminated pushbutton switches EN418

Forced contact opening and trigger action mechanisms

Operator	Type of lamp	Lamp voltage	Contact arrangement	Type	Button color
40mm dia. Push-lock, turn-reset	LED lamp Full-voltage type	24V AC/DC	1NC	AR22VGF-01E3R	Red
	Neon lamp Full-voltage type		1NO+1NC	AR22VGF-11E3R	
		2NC	AR22VGF-02E3R		
		110V AC: H 120V AC: K 220V AC: M 240V AC: P	1NC	AR22VGF-01 □1R	Red
			1NO+1NC	AR22VGF-11 □1R	
			2NC	AR22VGF-02 □1R	

Note: • Replace the □ mark by the lamp voltage code. 110V AC: H, 120V AC: K, 220V AC: M, 240V AC: P
 • Lamp contacts are built-in, and switch operation and lamp circuit are interconnected. When current is applied to the lamp circuit, the lamp turns on as soon as the contacts are closed.

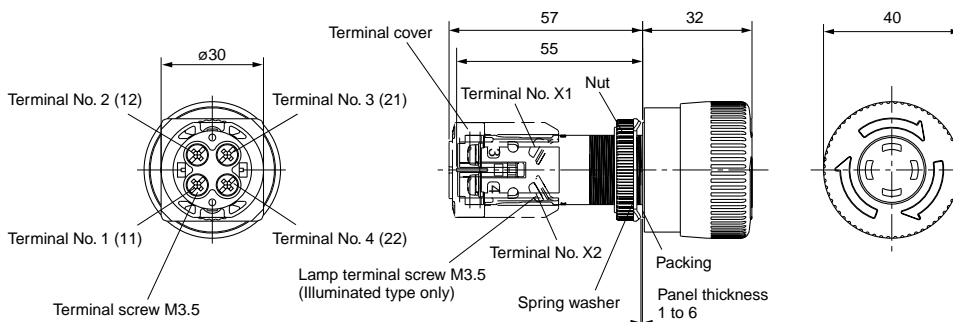
■ Specifications

Rated insulation voltage Ui		250V AC/DC
Durability	Mechanical	Min. 100000 operations
	Electrical	Min. 100000 operations
Operating frequency		1800 operations/hour (on-load factor 40%)
Withstand voltage		2500V AC 1minute
Insulation resistance		100MΩ (500V DC megger)
Vibration		Malfunction durability: 10-55Hz double amplitude 0.1mm Mechanical durability: 16.7Hz double amplitude 3.0mm
Shock		Malfunction durability: 150m/s ² Mechanical durability: 500m/s ²
Ambient temperature	Operating	-20 to +60°C (Illuminated type: -20 to +50°C) No icing, no condensation
	Storage	-40 to +80°C
Humidity (in box)		45 to 85%RH (at -5 to +40°C) No icing, no condensation
Operator protection degree		IEC 60529: IP65
		JEM 1030: IP65f
Terminal protection degree		IEC 60529: IP2X

■ Operating characteristics

Operator	Push-lock, turn-reset
Required operating force	26N
Operating stroke	Approx. 10mm
Resetting operation angle	Approx. 45°
Required resetting force	Approx. 0.2N•m

■ Dimensions, mm



Note: Terminal No. shown in () are for contact arrangement 2NC.

■ Contact ratings

JIS C 8201-5-1, IEC 60947-5-1, EN 60947-5-1 (TÜV R500281370001)

Rated thermal current Ith (A)	Rated operational voltage Ue (V)	Rated operational current Ie (A)	
		AC AC15 (Ind. load)	DC DC13 (Ind. load)
10	24	6	1.5
	120	3	—
	125	—	0.3
	240	3	—
	250	—	0.15

UL and CSA

• AC (COSφ=0.35)

Contact rating code	120V		240V	
	Make (A)	Break (A)	Make (A)	Break (A)
B300	30	3	15	1.5

• DC (Time constant T0.95=6P)

Contact rating code	125V		250V	
	Make/Break (A)		Make/Break (A)	
Q300	0.55		0.27	

■ Standards

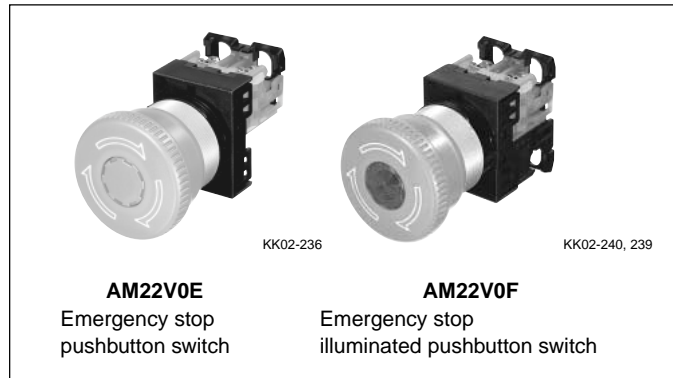
UL508	File No. E44592 (UL Recognized)
CSA C22.2 No. 14	File No. E44592 (c-UL Recognized)
EN60947-5-1	TÜV licence No. R500281370001
EN60947-5-5	

22mm-dia. emergency stop pushbutton switches AM22 series

Emergency stop pushbutton switches with locking nut on the front panel.

■ Features

- White arrow on red button clearly indicates push-lock/turn-reset direction.
- FUJI original trigger action mechanism stops contacts from operating until the button is locked, to prevent accidental pressing by a person or object.
- Forced contact opening mechanism securely breaks the circuit even during errors, such as the partial welding of 1NC contacts.
- Conforms to international standards, including UL/CSA and EN European Standards (TÜV), and bears CE markings.



■ Types and ratings

Emergency stop pushbutton switches EN418

Forced contact opening and trigger action mechanisms

Operator	Contact arrangement	Type	Button color
40mm dia. Push-lock, turn-reset	1NC	AM22V0E-01R	Red
	1NO+1NC	AM22V0E-11R	
	2NC	AM22V0E-02R	
	3NC	AM22V0E-03R	
	2NO+2NC	AM22V0E-22R	
	4NC	AM22V0E-04R	
29mm dia. Push-lock, turn-reset	1NC	AM22VSE-01R	Red
	1NO+1NC	AM22VSE-11R	
	2NC	AM22VSE-02R	
	3NC	AM22VSE-03R	
	2NO+2NC	AM22VSE-22R	
	4NC	AM22VSE-04R	

- Notes: • Up to 4-contact blocks are available.
• NO contact is used for overlap contact.

Emergency stop illuminated pushbutton switches EN418

Forced contact opening and trigger action mechanisms

Operator	Transformer	Lamp voltage	Contact arrangement	LED lamp Type	Button color
40mm dia. Push-lock, turn-reset	Without	24V AC/DC	1NC	AM22V0F-01E3R	Red
			1NO+1NC	AM22V0F-11E3R	
			2NC	AM22V0F-02E3R	
	3NC	AM22V0F-03E3R			
	With	110V AC: H 220V AC: M	1NC	AM22V0F-01□3R	
			1NO+1NC	AM22V0F-11□3R	
2NC			AM22V0F-02□3R		
29mm dia. Push-lock, turn-reset	Without	24V AC/DC	1NC	AM22VSF-01E3R	
			1NO+1NC	AM22VSF-11E3R	
			2NC	AM22VSF-02E3R	
	With	110V AC: H 220V AC: M	1NC	AM22VSF-01□3R	
			1NO+1NC	AM22VSF-11□3R	
			2NC	AM22VSF-02□3R	
Transparent colored 40mm dia. Push-lock, turn-reset	Without	24V AC/DC	1NC	AM22VDF-01E3R	
			1NO+1NC	AM22VDF-11E3R	
			2NC	AM22VDF-02E3R	
	With	110V AC: H 220V AC: M	1NC	AM22VDF-01□3R	
			1NO+1NC	AM22VDF-11□3R	
			2NC	AM22VDF-02□3R	

Note: Replace the □ mark by the lamp voltage code. 110V AC: H, 220V AC: M

• LED lamp voltage

Lamp voltage	Full-voltage		With transformer							
	6V AC	24V AC/DC	110V AC	127V AC	220V AC	254V AC	380V AC	440V AC	480V AC	550V AC
Code	A	E	H	L	M	Q	S	T	V	W

- Notes: • 6V AC LED lamp is used for the separate mounting transformer.
• NO contact is used for overlap contact.
• Switch operation and lamp circuit are not interconnected.

■ Specifications

Rated thermal current		10A
Rated insulation voltage		600V AC/DC
Ui		(Illuminated full-voltage type 250V AC/DC)
Durability	Mechanical	Min. 300000 operations
	Electrical	Min. 300000 operations
Operating frequency		1200 operations/hour (on-load factor 40%)
Withstand voltage		2500V AC 1minute
Insulation resistance		100MΩ (500V DC megger)
Vibration		Malfunction durability: 10-55Hz double amplitude 0.1mm Mechanical durability: 16.7Hz double amplitude 3.0mm
Shock		Malfunction durability: 150m/s ² Mechanical durability: 500m/s ²
Ambient temperature	Operating	-20 to +60°C (Illuminated type: -20 to +50°C) No icing, no condensation
	Storage	-40 to +80°C
Humidity (in box)		45 to 85%RH (at -5 to +40°C) No icing, no condensation
Operator protection degree		IEC 60529: IP65 JEM 1030: IP65f

■ Operating characteristics

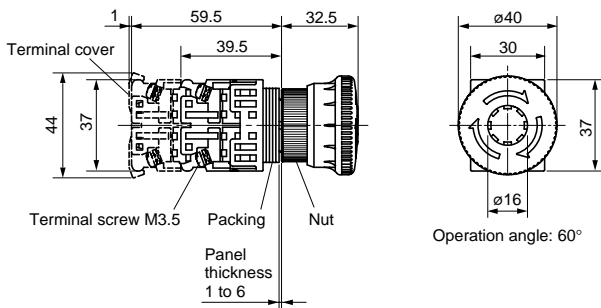
Operator	Push-lock, turn-reset
Required operating force	Approx. 23N
Operating stroke	Approx. 9mm
Resetting operation angle	Approx. 60°
Required resetting force	Approx. 0.25N•m

■ Standards

UL508	File No. E 44592 (UL Listed)
CSA C22.2 No.14	File No. LR 20479
EN 60947-5-1	TÜV licence No. R50028146
EN 60947-5-5	

■ Dimensions, mm

• 40mm dia. push-lock, turn-reset
AM22V0E



■ Contact ratings

JIS C 8201-5-1, IEC 60947-5-1, EN 60947-5-1 (TÜV R50028146)

Rated operational voltage Ue (V)	Rated operational current Ie (A)	
	AC AC15 (Ind. load)	DC DC13 (Ind. load)
24	6	2
120	6	—
125	—	0.65
240	6	—
250	—	0.23
480	2.5	—
600	2	—

UL and CSA

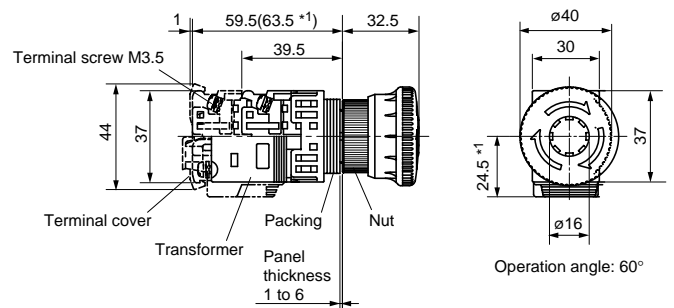
• AC (COSφ=0.35)

Contact rating code	120V		240V		480V		600V	
	Make (A)	Break (A)	Make (A)	Break (A)	Make (A)	Break (A)	Make (A)	Break (A)
A600	60	6	30	3	15	1.5	12	1.2

• DC (Time constant T_{0.95}=6P)

Contact rating code	125V	250V	300-600V
	Make/Break (A)	Make/Break (A)	Make/Break (A)
Q600	0.55	0.27	0.1

• 40mm dia. push-lock, turn-reset with transformer
AM22V0F



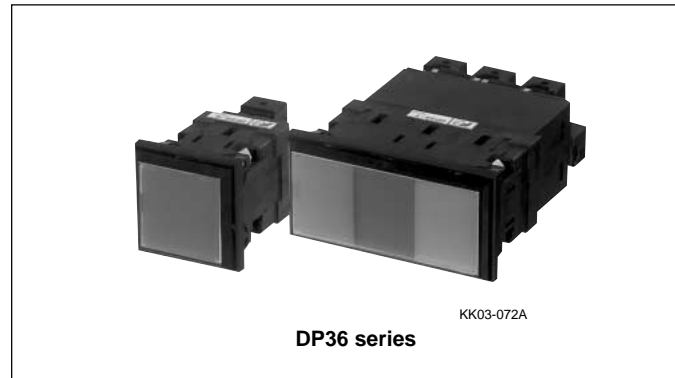
Note: *1 Dimensions for the types with transformers of the lamp voltages 254V to 550V AC.

Display lights DP36 and 40 series

New design with high-brightness LED and self-lifting terminal improves safety and working conditions.


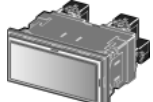
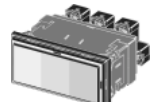
■ Features

- Employs high-brightness LED
- New LED lamp significantly reduces power consumption and mass.
- Reduces wiring work and improves safety by integrating the FUJI self-lifting terminal (quick mounting terminal) and terminal cover
- LED lamp incorporates a circuit to prevent lighting errors.
- Modular design of LED unit allows easy changes in colors and color arrangement (two- and three-split rectangular illumination faces).
- Can be used with film legend plates.
- Ideal for side-by-side mounting





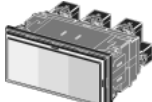
■ Types and ratings

• DP36 series (LED lamp)

Shape of illumination face	Illumination type	Voltage input type	Lamp voltage	Type	
Square, 36x36mm  DP36S1N	Full face	Full voltage	12V AC/DC 24V AC/DC	DP36S1N-□B3 DP36S1N-□E3	Specify the illumination color code in the □ mark. Red: R Green: G Yellow: Y Orange: A White: W Blue: S Snow-white: P
		With resistor unit	100 to 110V AC/DC	DP36S1N-□H3	
		With CR unit	200 to 220V AC/DC	DP36S1N-□M3	
Rectangular, 36x72mm  DP36T1N  DP36T3N	Full face	Full voltage	12V AC/DC 24V AC/DC	DP36T1N-□B3 DP36T1N-□E3	
		With resistor unit	100 to 110V AC/DC	DP36T1N-□H3	
		With CR unit	200 to 220V AC/DC	DP36T1N-□M3	
	2-split face	Full voltage	12V AC/DC 24V AC/DC	DP36T2N-□□B3 DP36T2N-□□E3	
		With resistor unit	100 to 110V AC/DC	DP36T2N-□□H3	
		With CR unit	200 to 220V AC/DC	DP36T2N-□□M3	
	3-split face	Full voltage	12V AC/DC 24V AC/DC	DP36T3N-□□□B3 DP36T3N-□□□E3	
		With resistor unit	100 to 110V AC/DC	DP36T3N-□□□H3	
		With CR unit	200 to 220V AC/DC	DP36T3N-□□□M3	

Notes: • Voltages other than above are available.
• DP36S1N, T1N and T2N with check terminals are also available.

• DP40 series (LED lamp)

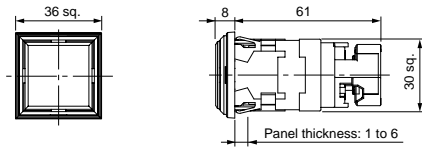
Shape of illumination face	Illumination type	Voltage input type	Lamp voltage	Type	
Square, 40x40mm  DP40S1N	Full face	Full voltage	12V AC/DC 24V AC/DC	DP40S1N-□B3 DP40S1N-□E3	Specify the illumination color code in the □ mark. Red: R Green: G Yellow: Y Orange: A White: W Blue: S Snow-white: P
		With resistor unit	100 to 110V AC/DC	DP40S1N-□H3	
		With CR unit	200 to 220V AC/DC	DP40S1N-□M3	
Rectangular, 40x80mm  DP40T1N  DP40T3N	Full face	Full voltage	12V AC/DC 24V AC/DC	DP40T1N-□B3 DP40T1N-□E3	
		With resistor unit	100 to 110V AC/DC	DP40T1N-□H3	
		With CR unit	200 to 220V AC/DC	DP40T1N-□M3	
	2-split face	Full voltage	12V AC/DC 24V AC/DC	DP40T2N-□□B3 DP40T2N-□□E3	
		With resistor unit	100 to 110V AC/DC	DP40T2N-□□H3	
		With CR unit	200 to 220V AC/DC	DP40T2N-□□M3	
3-split face	Full voltage	12V AC/DC 24V AC/DC	DP40T3N-□□□B3 DP40T3N-□□□E3		
	With resistor unit	100 to 110V AC/DC	DP40T3N-□□□H3		
	With CR unit	200 to 220V AC/DC	DP40T3N-□□□M3		

Notes: • Voltages other than above are available.
 • DP36S1N, T1N and T2N with check terminals are also available.

■ Dimensions, mm

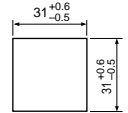
• DP36 series

• Square, 36x36mm

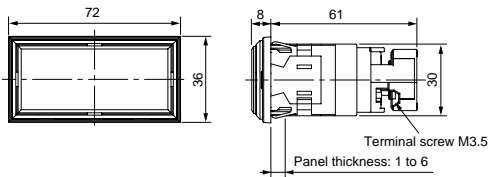


Mass: 42g

Panel cutting

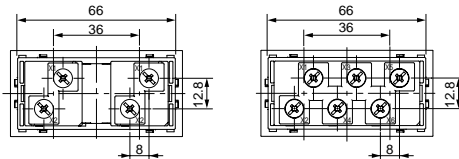


• Rectangular, 36x72mm

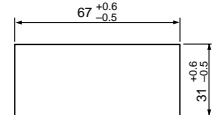


Mass: 86g

3-split face type

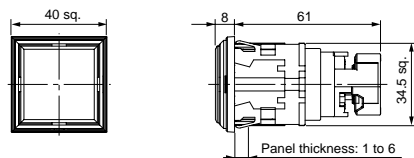


Mass: 103g

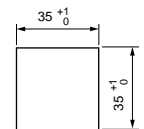


• DP40 series

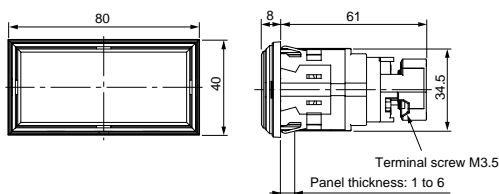
• Square, 40x40mm



Mass: 48g

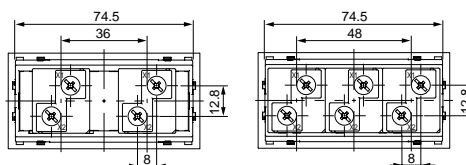


• Rectangular, 40x80mm

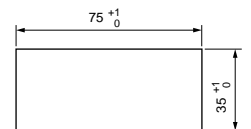


Mass: 96g

3-split face type



Mass: 114g



Power terminal blocks SKT series

Further improving the efficiency and ease of wiring and inspections

■ Features

- Transparent terminal cover allows the wiring configuration to be checked externally.
- Slotted hexagon head bolts that can be tightened with screwdrivers or box wrenches are used for the terminals.
- The line side and load side are provided with hinged terminal covers to ensure safety and allow easier maintenance and inspections.
- cUL approved, file No. E45457
SKT14A-3C to SKT100A3C only.



■ Types and ratings

• Terminal blocks

Pole	Rated insulation voltage (V AC)	Rated continuous current (A)	Applicable cable size (mm ²)	Type
3	600	50	2 to 14	SKT14A-3C
		100	2 to 38	SKT38A-3C
		150	14 to 60	SKT60A-3C
		200	30 to 100	SKT100A-3C
3 + 1 (Earth terminal)	600	50	2 to 14	SKT14A-3CG
		100	2 to 38	SKT38A-3CG
		150	14 to 60	SKT60A-3CG
		200	30 to 100	SKT100A-3CG

• Connectors

Rated insulation voltage (V AC)	Rated continuous current (A)	Applicable cable size (mm ²)	Type
600	50	2 to 14	SKT14-S
	100	2 to 38	SKT38-S
	150	14 to 60	SKT60-S
	200	30 to 100	SKT100-S
	400	80 to 200	SKT200-S
	400	80 to 200	SKT200-SD
200	30 to 80		

■ Specifications

Insulation resistance	100MΩ or more (500V DC megger)
Withstand voltage	2500V AC 1minute
Ambient temperature	-20 to +55°C
Humidity	85%RH or less
Flammability	UL94V-2 (Cover)
Temperature rise	45K or less (JIS C 2811)

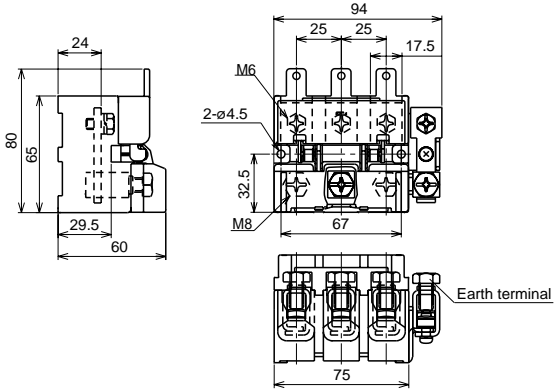
■ Tightening torque

Type	Recommended tightening torque (N•m)		Cable pull-out min. force (N)	
	Line side	Load side	Min. cable	Max. cable
SKT14A-3C	4.5–5.0	11.5–15.5	222	400
SKT14A-3CG	(M6)	(14mm ² , M8)	(2mm ²)	(14mm ²)
SKT38A-3C	4.5–5.0	11.5–15.5	222	445
SKT38A-3CG	(M6)	(38mm ² , M8)	(2mm ²)	(38mm ²)
SKT60A-3C	9–10	11.5–15.5	311	623
SKT60A-3CG	(M8)	(60mm ² , M8)	(14mm ²)	(60mm ²)
SKT100A-3C	15–20	23–31	311	801
SKT100A-3CG	(M10)	(100mm ² , M10)	(30mm ²)	(100mm ²)

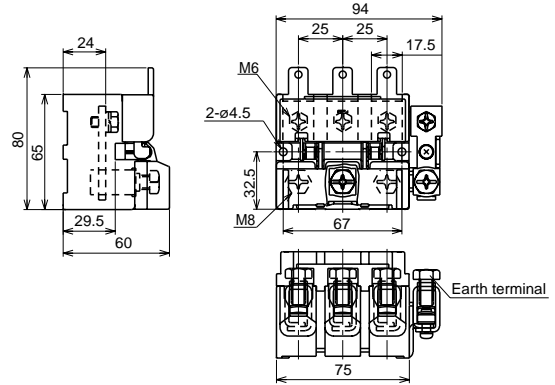
■ Dimensions, mm

• Terminal block

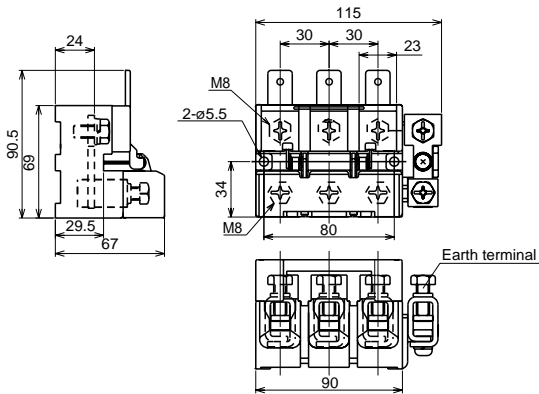
SKT14A-3C (Without earth terminal)
SKT14A-3CG (With earth terminal)



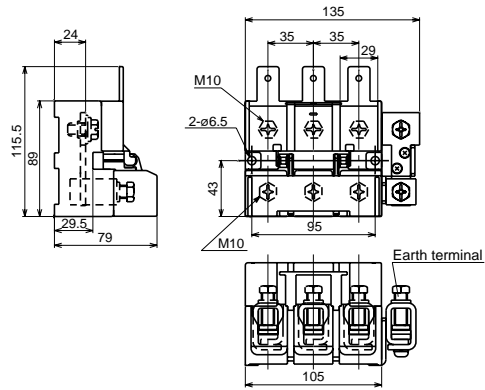
SKT38A-3C (Without earth terminal)
SKT38A-3CG (With earth terminal)



SKT60A-3C (Without earth terminal)
SKT60A-3CG (With earth terminal)

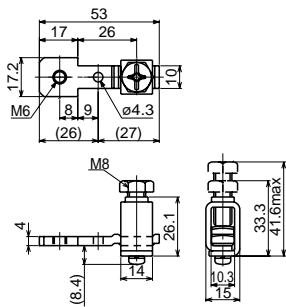


SKT100A-3C (Without earth terminal)
SKT100A-3CG (With earth terminal)

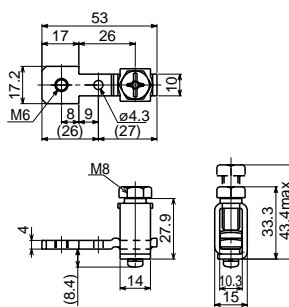


• Connector

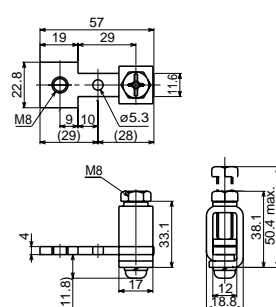
SKT14-S



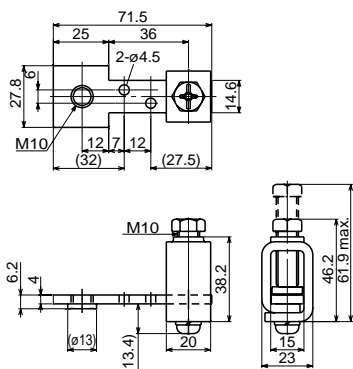
SKT38-S



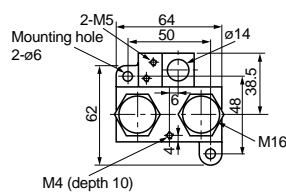
SKT60-S



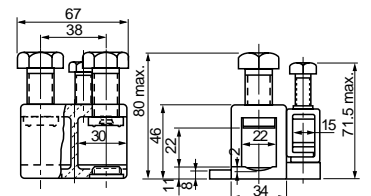
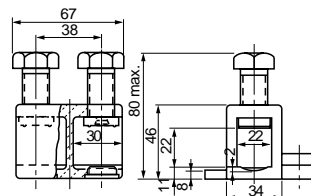
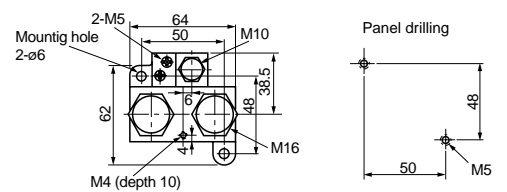
SKT100-S



SKT200-S



SKT200-SD



AC voltage and current transducers WT2AC series

Isolated AC transducers with a thin profile and excellent cost performance

■ Features

FUJI WT2 AC voltage and current transducers convert AC voltage/current into DC voltage/current, and also isolate input/output circuits and power supplies.

- Select from an 85 to 264V AC, 24V DC, or 110V DC control power supply
- Three isolated ports: input, output, and power supply
- Use either IEC 35mm rail mounting or screw mounting
- Screw terminals with cover ensure safe, sure connection.

■ Specifications and performance

• Performance

Accuracy: $\pm 0.4\%$ FS

Temperature characteristic: $\pm 0.2\%/10^\circ\text{C}$ FS(Typical)

Response time: 0.5s max. (0 to 90%)

Insulation resistance: 100M Ω (500V DC megger)

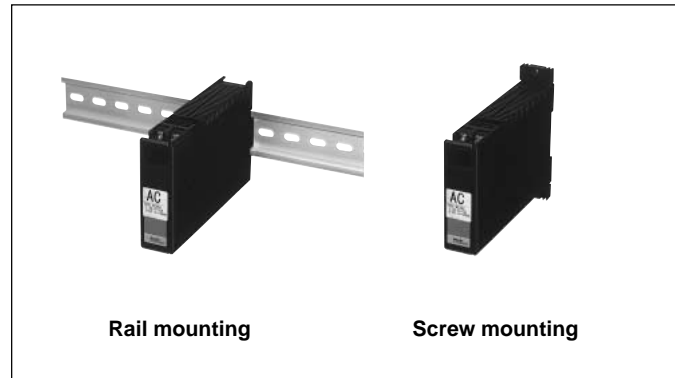
Withstand voltage: 2000V AC 1min

• Input

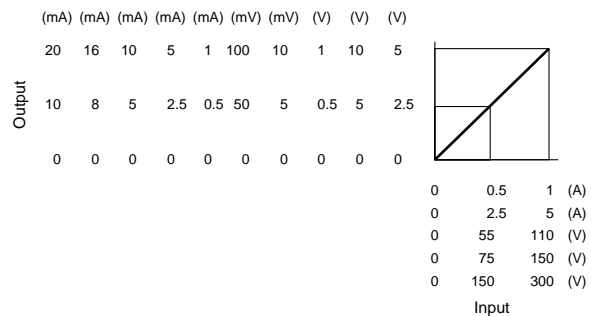
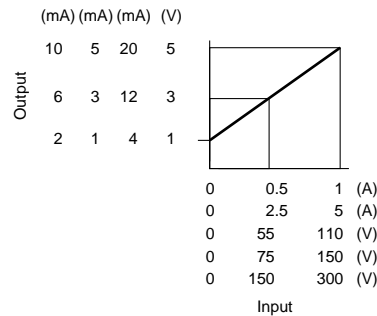
	Input signal	Input frequency
Voltage input	0 to 110V AC	50Hz, 60Hz
	0 to 150V AC	
	0 to 300V AC	
Current input	0 to 1A AC 0 to 5A AC	

• Output

	Output signal	Permissible external resistance
Voltage output	0 to 10mV	10k Ω or more
	0 to 100mV	100k Ω or more
	0 to 1V	200k Ω or more
	0 to 5V DC, 1 to 5V DC	1k Ω or more
	0 to 10V DC	2k Ω or more
Current output	0 to 1mA DC	15k Ω or less
	0 to 5mA DC	3k Ω or less
	0 to 10mA DC	1.5k Ω or less
	0 to 16mA DC	900 Ω or less
	0 to 20mA DC	750 Ω or less
	1 to 5mA DC	3k Ω or less
	2 to 10mA DC	1.5k Ω or less
	4 to 20mA DC	750 Ω or less

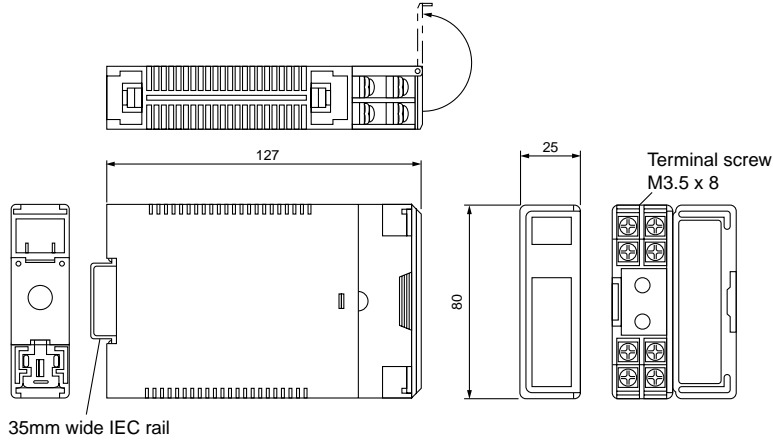


■ Input-output

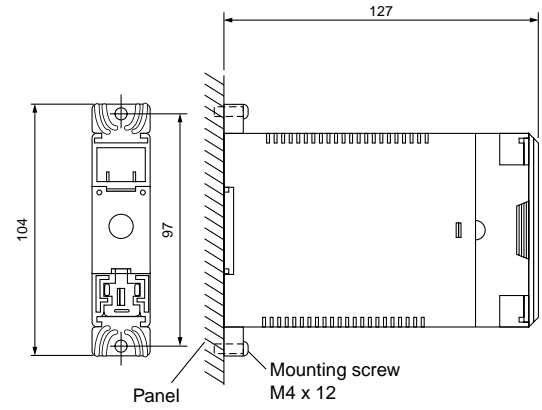


■ Dimensions, mm

• Rail mounting

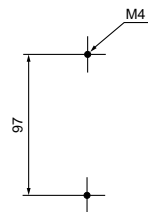


• Screw mounting

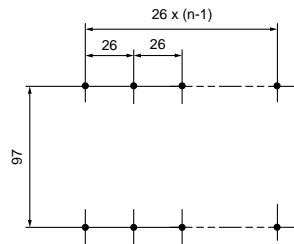


Panel drilling

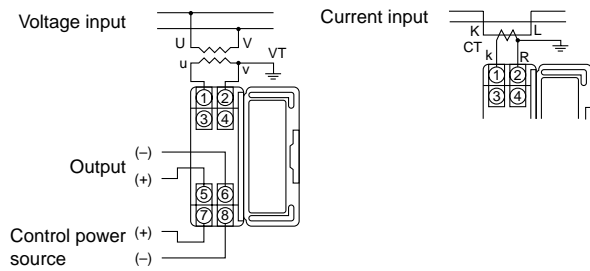
One-unit mounted



n-unit mounted



■ Wiring diagram



Arresters for low voltage circuit CN233 series

Addition of 20kA models absorbing inductive lightning surges from power supply

■ Features

- Coordinated operation of 2 types of varistors enables extremely fast response to surges and a high level absorption.
- Built-in thermal fuses prevent problems such as short-circuit due to deterioration of elements.
- Indicators for easy confirmation of device status
- Integrated terminal construction reduces space and wiring requirements for easier handling of the arrester.
- Standard-feature terminal cover to protect against electrical shock

■ Application

- Electronic devices, such as computers, measurement devices, and communications devices
- Inverters and UPSs
- Electronic devices inside distribution boards (e.g., power distribution boards and lighting distribution boards)

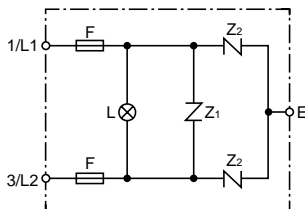


■ Specifications

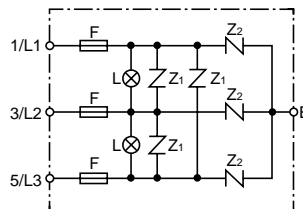
Type		CN23311	CN23312	CN23332	CN2334E
Rated voltage		Single-phase/2-wire 110V	Single-phase/2-wire 220V	3-phase/3-wire 220V	Single-phase/3-wire 100V/200V
Reference voltage V_{1ma}	Line	240 to 310V	420 to 520V	420 to 520V	—
	Ground	420 to 520V	610 to 750V	610 to 750V	850 to 1100V
Clamping voltage V_p	Line	700V max.	1100V min.	1100V max.	—
	Ground	1000V max.	1500V min.	1500V max.	2500V max.
Discharge current (8/20 μ s)	Line	5kA (2 times)	—	—	—
	Ground	20kA (2 times)	—	—	20kA (2 times)

■ Internal wiring

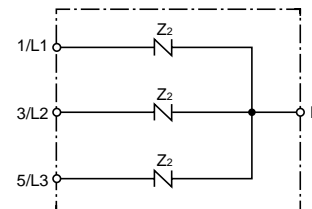
• CN23311, CN23312



• CN23332



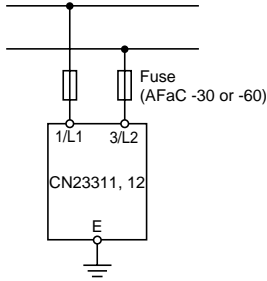
• CN2334E



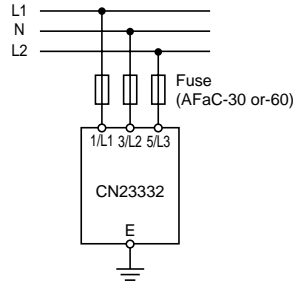
F: Thermal fuse L: Indicator Z1, Z2: Component for surge protective device

Application example

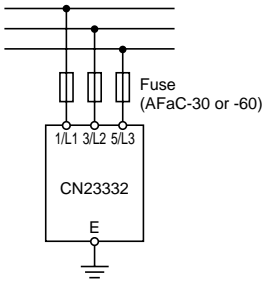
- Single-phase/2-wire (110AC, 220V AC)



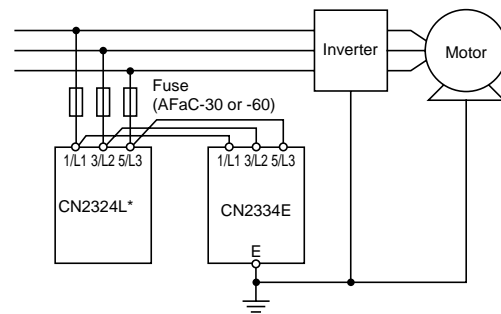
- Single-phase/3-wire (100/200V AC)



- 3-phase/3-wire (220V AC)



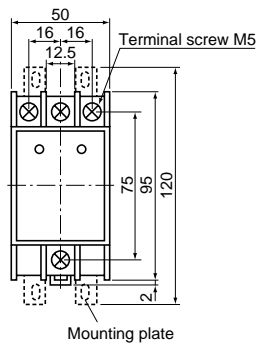
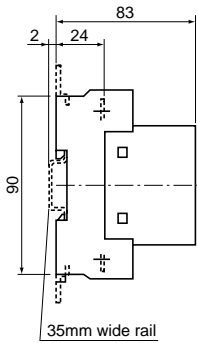
- 3-phase/3-wire (440V AC)



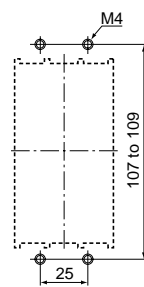
* Do not wire to the black-colored screw terminal.

Dimensions, mm

- CN233



Panel drilling



AC power distribution monitoring unit for one feeder, F-MPC04 series

Digital multimeters – all of the measurement functions for AC power distribution monitoring in a single unit

■ Features

A wide variety of output functions to select from for preventive maintenance

- Power alarm/current prealarm output provided
- Electric energy pulse signal provided
- Leakage current alarm, leakage current prealarm output (with leakage current measuring function only)

Capable of measuring inrush current of equipment such as welders

- High-speed sampling and calculation of voltage and current

Compact design allows installation almost anywhere.

- Space-saving construction simplifies installation.
- Monitors individual equipment, sections, and the entire floor

Networking capability

- External interface uses RS-485 communications.
- Can be connected to the same electric power distribution system as other F-MPC (04, 04P, 30, 60B series) products

■ Types and functions

Function	Type
Leakage current measuring function	Not provided Provided
	UM03-ARA3 UM03-ARA3G

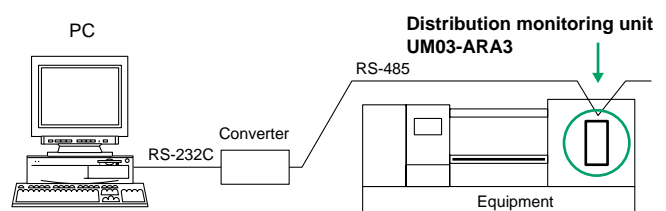
■ Specifications

• General

Applicable circuit	3-phase 3-wire: 2-CT, single-phase 3-wire: 2-CT, single-phase 2-wire: 1-CT
Control power supply	100 to 200V AC (85 to 264V AC) 50/60Hz (45 to 66Hz)
Inrush current	15A, 3ms or less (at 110V AC, 50Hz) 30A, 3ms or less (at 220V AC, 50Hz)
Control power consumption	Approx. 7VA (at 220V AC) Approx. 5VA (at 110V AC)
Short-time overload resistance	Current input circuit Voltage input circuit
	Max. 20 times setting value, 9 times for 0.5s Max. 2 times setting value, 9 times for 0.5s
Vibration	10 to 58Hz 0.075mm (one-way amplitude)
Shock	300m/s ² , in each X, Y, and Z directions, 2 times
Withstand voltage / Insulation resistance (500V DC megger)	2kV /10MΩ Between power supply terminals connected together and other terminals connected together 2kV /10MΩ Between measurement input terminals connected together and other terminals connected together 2kV /10MΩ Between alarm output terminals connected together and other terminals connected together 500V /10MΩ Between withour pulse output terminals connected together and other terminals connected together
Ambient temperature	Operating: -10 to +55°C Storage: -20 to +70°C
Humidity	20 to 90%RH (no condensation)
Atmosphere	Free from corrosive gases and excessive of dusts
Grounding	Grounding resistance of 100Ω or less
Allowable power interrupting time	20ms (unit will continue operation)



■ System configuration



• Measurement

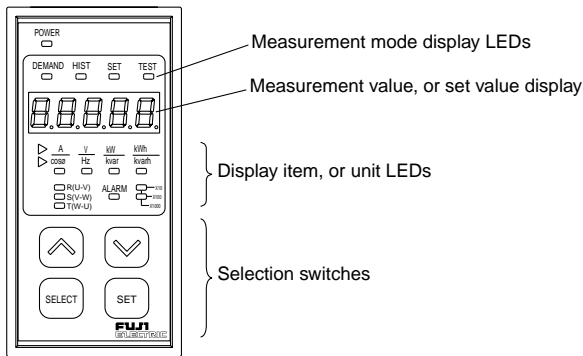
Item	Effective measurement range	Display	Accuracy
Current, demand current Max. demand current value	• With split toroidal CT (200A AC) * 0, 0.4 % of In (0.8A) to 300A	4-digit	R- and T-phase: ±1.5% FS S-phase: ±2.5% FS
Demand value and max. demand value of higher harmonic current	• With split toroidal CT (400A AC) * 0, 0.4% of In (1.6A) to 600A	4-digit	±2.5% FS
Demand active power Max. demand active power value	• With small split toroidal CT (5A) * 0, 0.4% of In (0.2A) to 50A	4-digit	±1.5% FS
Reactive power	0, to 1.5 times CT rating (for 5A)	4-digit	±3% FS
Power factor	• Demand time setting: 0, 1 to 15min (by 1min stepped)	3-digit	±5% FS Converted into a phase angle of 90°
Active electric energy	30min setting: Available	5-digit	Equivalent to JIS standard class
Reactive electric energy		5-digit	±5%
Voltage	Converted into an input voltage 60 to 264 V AC	4-digit	Vu-v and Vw-u: ±1.5% FS, Vv-w: ±2.5% FS
Frequency	45 to 66Hz	3-digit	±0.5% FS
Leakage current (I/o /Iob) Max. demand value	0, 10 to 1000mA	4-digit	±2.5%

Note: New model CTs, see page 20.

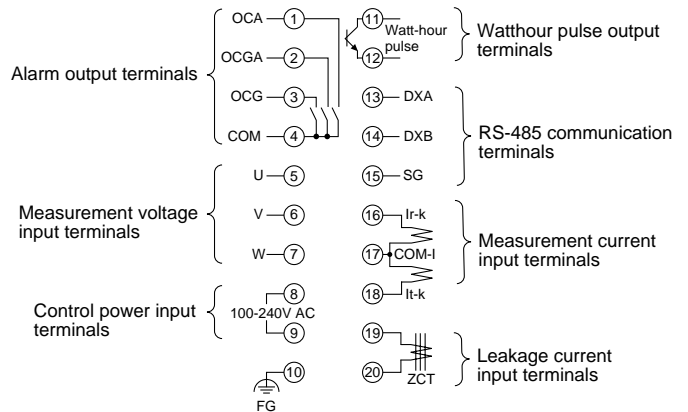
• Output

Item	UM03-ARA3	UM03-ARA3G	Specification
Watt-hour pulse output	Provided	Provided	Transistor open collector output 35V DC 100mA
Alarm output	Current prealarm (OCA), power alarm	Provided	Replay output 250V AC 1A
	Leakage current prealarm (OCGA)	Not provided	
	Leakage current alarm (OCGA)	Provided	

■ Front panel

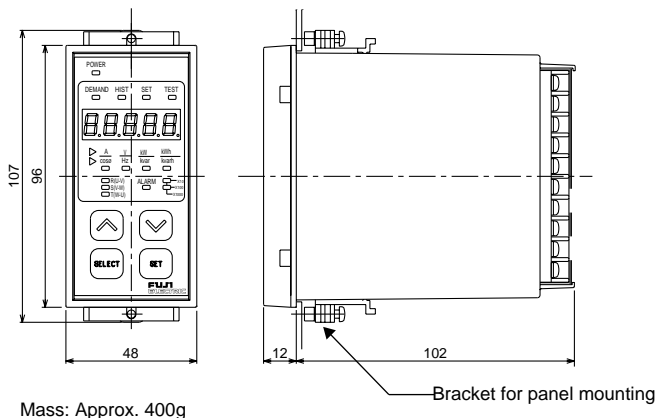


• Terminal layout

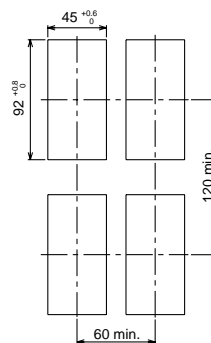


Note: Alarm output terminal ③ and ZCT input terminal ⑲⑳ of the UM03-ARA3 (without leakage current measuring function) are NC terminals. Do not connect anything to these terminals.

■ Dimensions, mm



Panel cutting

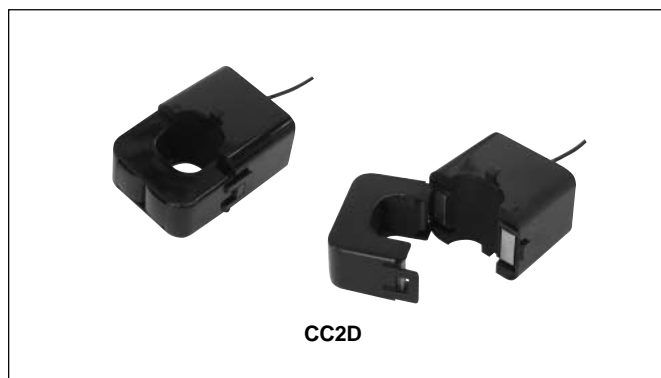


New split toroidal type current transformers/CC2D

■ Features

Designed for even easier handling. Line-up includes types designed specially for FUJI multiple function protectors and controllers (F-MPC), and types for use with other instrumentation.

- Improved design enables easier mounting.
- Large K→L display allows easier identification of primary conductor direction.
- Hook attached makes it easier to secure the primary conductor with a retaining band.
- Built-in clamping diode (on all types except the CC2D81) CT secondary wiring will not burn out even with the contact open.



■ Types and ratings

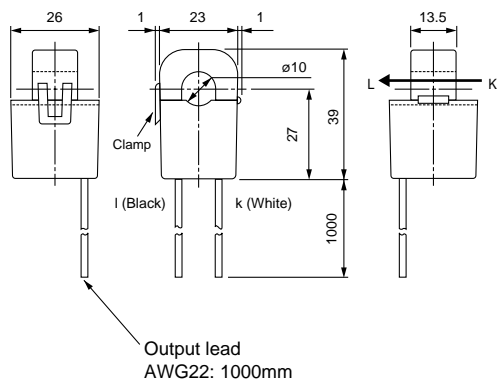
Type	Rated primary current (A)	Rated secondary current	Rated frequency (Hz)	Rated burden	Withstand voltage	Connection	Mass (g)
CC2D81-0057	5	7.34mA	50/60	0.2693mVA Load resistance: 5Ω	1000V AC/1min Between sensor core and output	Heat-resistant IV cable AWG22 x1000mm supplied	45
CC2D81-0506	50	73.4mA	50/60	26.93mVA Load resistance: 5Ω	1000V AC/1min Between sensor core and output	Heat-resistant IV cable AWG22 x1000mm supplied	45
CC2D65-2008	200	66.7mA	50/60	44.4mVA Load resistance: 10Ω or less	2000V AC/1min Between sensor core and output	Heat-resistant IV cable AWG18 x1000mm supplied	200
CC2D54-4009	400	133.33mA	50/60	88.9mVA Load resistance: 5Ω or less	2000V AC/1min Between sensor core and output	Heat-resistant IV cable AWG18 x1000mm supplied	300
CC2D74-1001	100	1A	50/60	0.5VA	2000V AC/1min or more	Heat-resistant IV cable	300
CC2D74-2001	200	1A		Load resistance:	Between sensor core	AWG18 x1000mm supplied	
CC2D74-4001	400	1A		0.5Ω or less	and output		

■ Performance

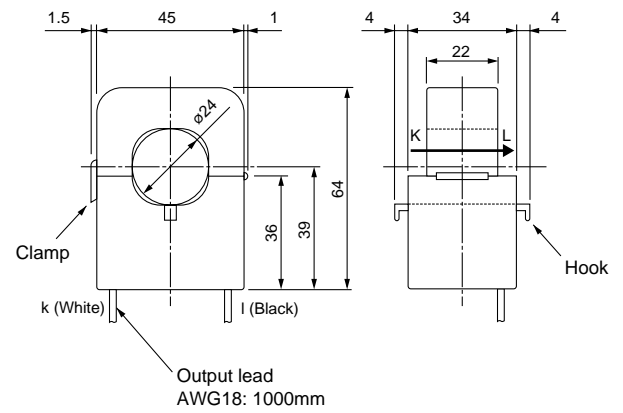
Application	Type	Ratio error	Phase difference	Insulation resistance	Output protection	Operating temperature and humidity
For F-MPC	CC2D81-0057	±1% I _n ±1.5%/0.2 I _n	150' ±150' /I _n	100MΩ (500V DC megger)	Not provided	-20 to +50°C 80%RH or less No condensation
	CC2D81-0506		180' ±180' /0.2 I _n			
	CC2D65-2008		±60' /I _n ±90' /0.2 I _n			
	CC2D54-4009		±60' /I _n ±90' /0.2 I _n			
General purpose	CC2D74-1001	±1% I _n ±1.5%/0.2 I _n	90' ±90' /I _n	100MΩ (500V DC megger)	Provided Built-in clamping diode	
	CC2D74-2001		120' ±120' /0.2 I _n			
	CC2D74-4001		60' ±60' /I _n 90' ±90' /0.2 I _n ±80' /I _n ±100' /0.2 I _n			

■ Dimensions, mm

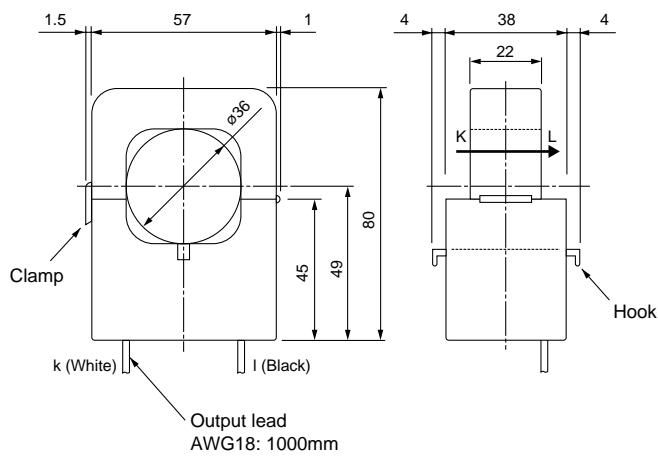
• CC2D81



• CC2D65



• CC2D54, CC2D74



Miniature control relays / HH52, HH54 series

Change in external terminals

- **Standard**

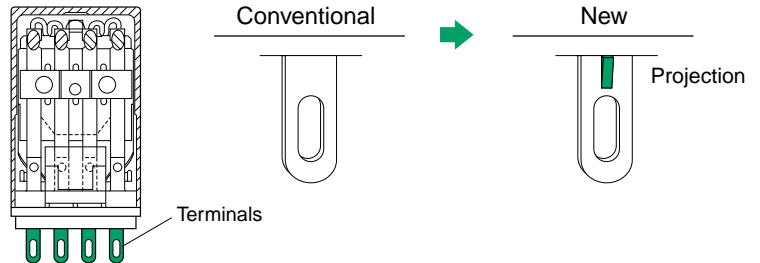
Plug-in mounting: HH54P, HH54PW, HH52P-R
 Flange mounting: HH54S, HH54SW, HH52S-R

- **High capacity**

Plug-in mounting: HH54PU
 Flange mounting: HH54SU

- **With extra pick-up coil**

Plug-in mounting: HH54-2P
 Flange mounting: HH54-2S



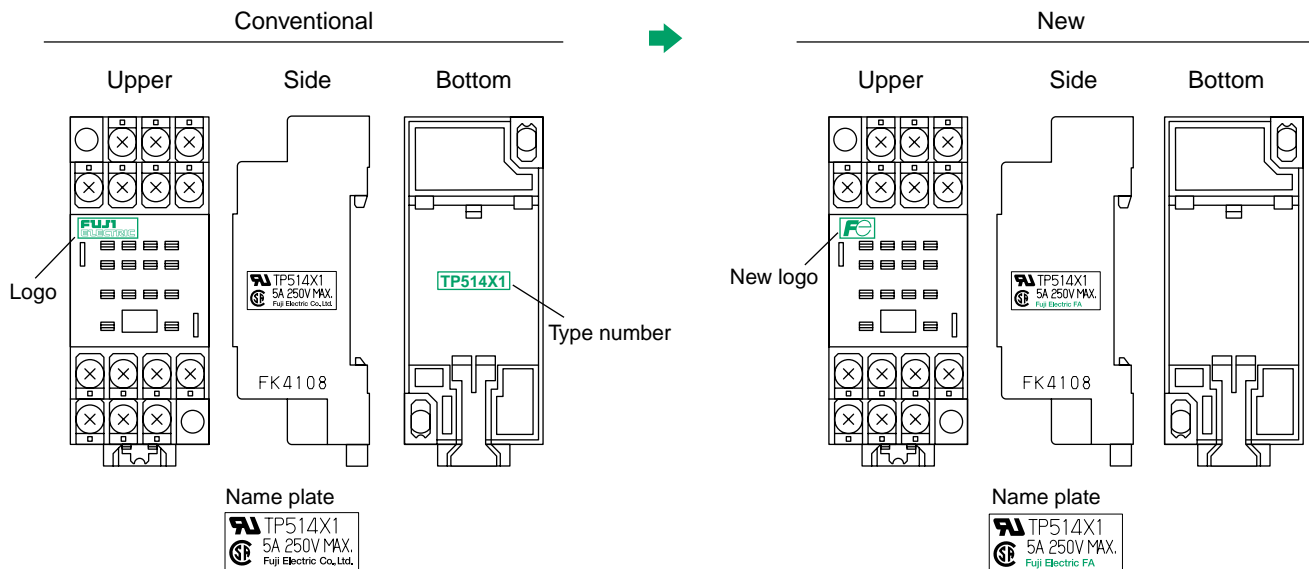
■ Time of modification: April 2004

Miniature control relays / Sockets for rail mounting

Changes in company logo of sockets

- **Screw terminal M3**

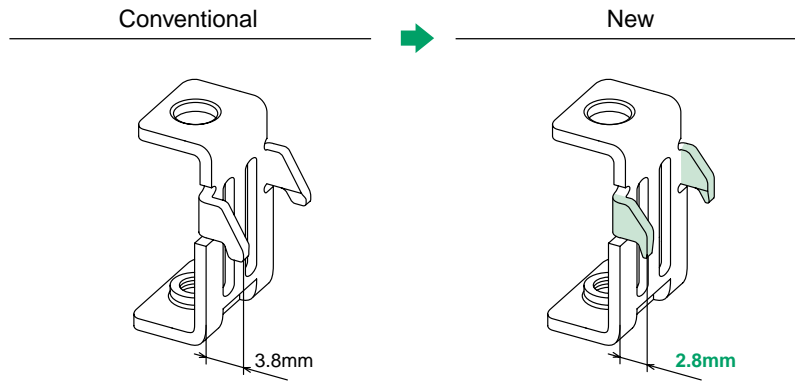
TP58X1: For HH52P
 TP514X1: For HH54P



■ Time of modification: May 2004

Display lights and multi display lights

Change in shape of mounting kit APX111

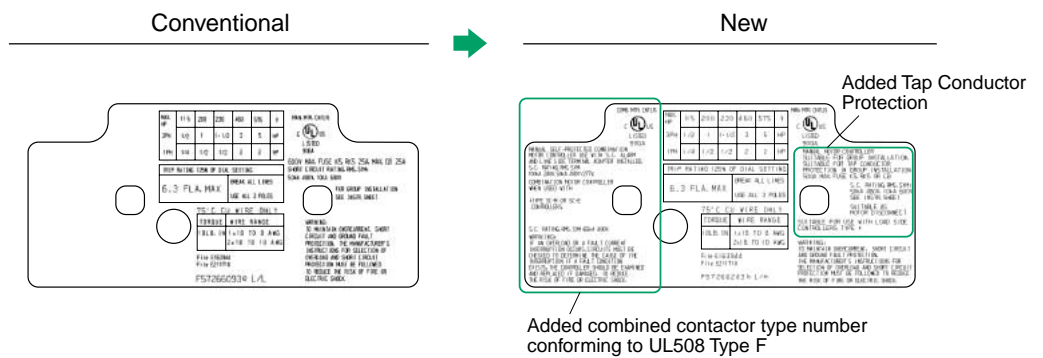


■ Time of modification: February 2004

Manual motor starters / BM3 series

Change in nameplates on right side

- **32AF types:** BM3RSB
BM3RHB
BM3RHBK
- **63AF types:** BM3VSB
BM3VHB
BM3VHBK

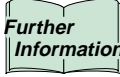


■ Time of modification: April 2004

Discontinued Products

The production of the following products has or will soon be discontinued.
Please use substituting models.

AS-Interface Waterproof connector-type slave module FM6D, FM6B

	Discontinued	➔	Substitute	
• Slaves				
4-input (NPN)	FM6D-40XXN		FM6D1-40XXN	■ Time of discontinuation: March 2004
4-output (NPN)	FM6D-04TNX		FM6D1-04TNX	
2-input/2-output (NPN)	FM6D-22TNN		FM6D1-22TNN	
• Slave bases				
Pressure welding connection	FM6B-04FK		FM6B1-04FK	 Contact FUJI for details of substituting models.
	FM6B-04FE		FM6B1-04FE	
Screw terminal connection	FM6B-04PG		None	
	FM6B-04PE		None	

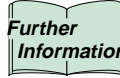
AS-Interface Power supply FP1B-JNW213

	Discontinued	➔	Substitute	
• For communications/external aux. power supply	FP1B-JNW213		None	■ Time of discontinuation: February 2004

AS-Interface DeviceNet/AS-i gateway FC2L-DL

	Discontinued	➔	Substitute	
• Conversion capsule	FC2L-DL (Version2.0)		FC2LA-DL (Version2.1)	Hardware and software are compatible.

■ Time of discontinuation: March 2004

 Contact FUJI for details of substituting models.

Safety Considerations

- For safe operation, before using the product read the instruction manual or user manual that comes with the product carefully or consult the Fuji sales representative from which you purchased the product.
- Products introduced in this catalog have not been designed or manufactured for such applications in a system or equipment that will affect human bodies or lives.
- Customers, who want to use the products introduced in this catalog for special systems or devices such as for atomic-energy control, aerospace use, medical use, passenger vehicle, and traffic control, are requested to consult the Fuji sales division.
- Customers are requested to prepare safety measures when they apply the products introduced in this catalog to such systems or facilities that will affect human lives or cause severe damage to property if the products become faulty.
- For safe operation, wiring should be conducted only by qualified engineers who have sufficient technical knowledge about electrical work or wiring.

Fuji Electric FA Components & Systems Co., Ltd.

Gate City Ohsaki, East Tower
11-2, Osaki 1-chome, Shinagawa-ku, Tokyo, 141-0032, Japan

Phone: +81-3-5435-7135~8
Fax: +81-3-5435-7456~9
URL <http://www.fujielectric.co.jp/fcs/eng>




 Printed on 100% recycled paper using soy-based ink