

A

B

C

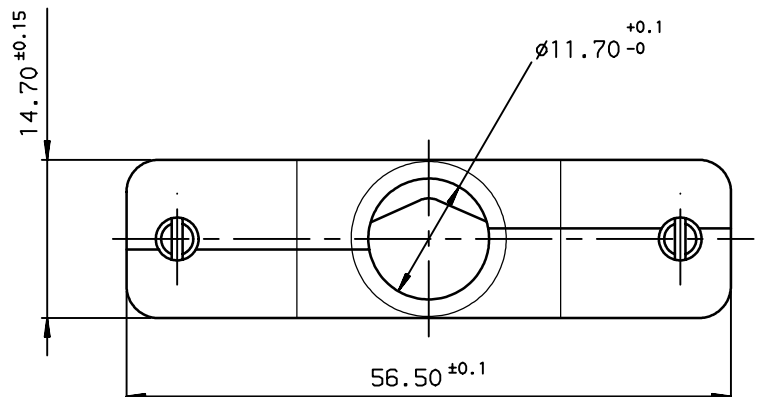
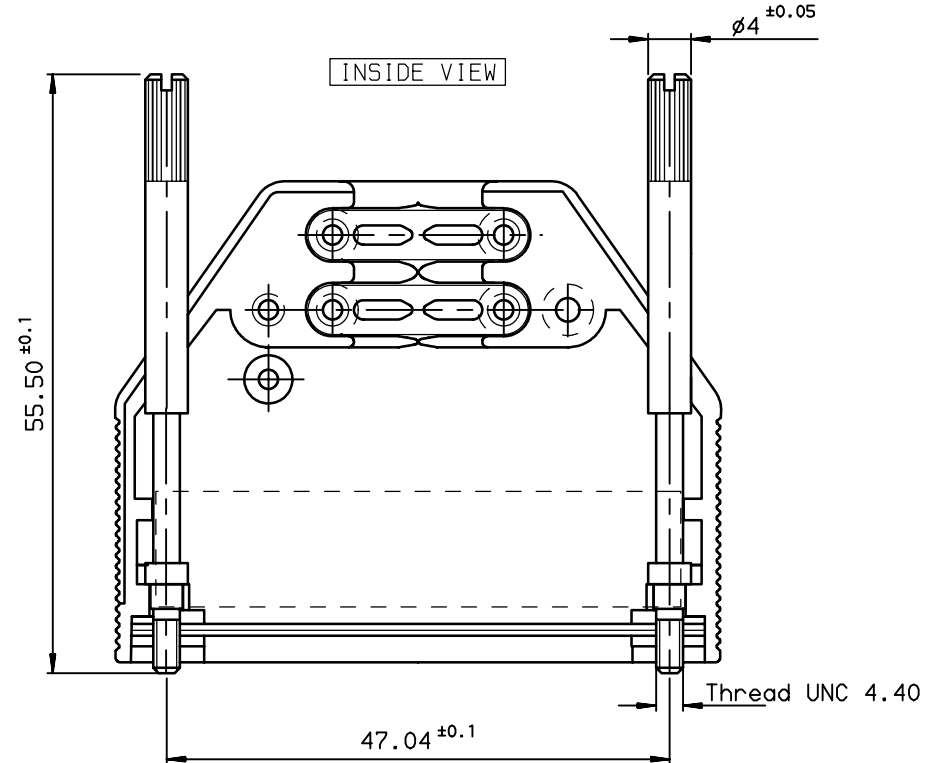
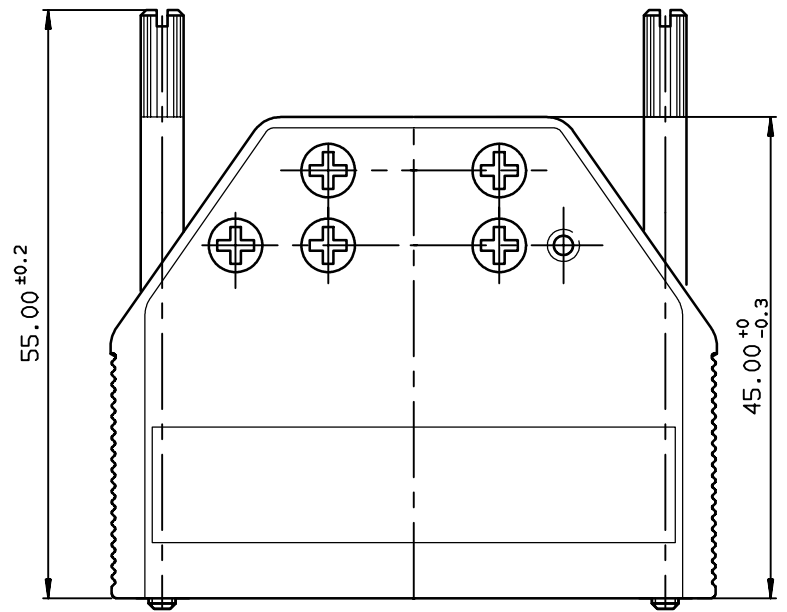
D

A

B

C

D



Core range		
PART NUMBER	8655MH2511	PACKAGING: per 1 piece

FOR STANDARD AND APPLICATION SPECIFIC PART NUMBER SEE SHEET 2.

European Views

www.fciconnect.com		surface ISO 1302 ✓	tolerance std ISO 406 ISO 1101	projection mm
TOLERANCES UNLESS OTHERWISE SPECIFIED				
Dr	JARRY	2002/07/01	0.X ±0.1	size A3
Eng	PESSON	2002/07/01	0.XX ±0.1	Scale 2
Chr	LEGARE	2002/07/01	0.XX ±2°	ECN LS06-0097
Appr	LEGARE	2002/07/01	0.XXX ±0.1	Spec ref -
Product family				D-SUB
FCJ title SHIELDED HOODS -TWO PARTS (Shell size 25)		dwg no C01-8655-0627-1		Rev. F
catalog no		CUSTOMER sheet 1 of 2		

rev	ecn no	dr	date
C	-	JAR	2002/08/12
D	LS05-0026	MPE	2005/07/08
E	LS05-0083	MPE	2005/09/09
F	LS06-0097	LGO	2006/07/28
-	-	-	-
-	-	-	-



Copyright FCJ.

1

2

3

4

A

B

C

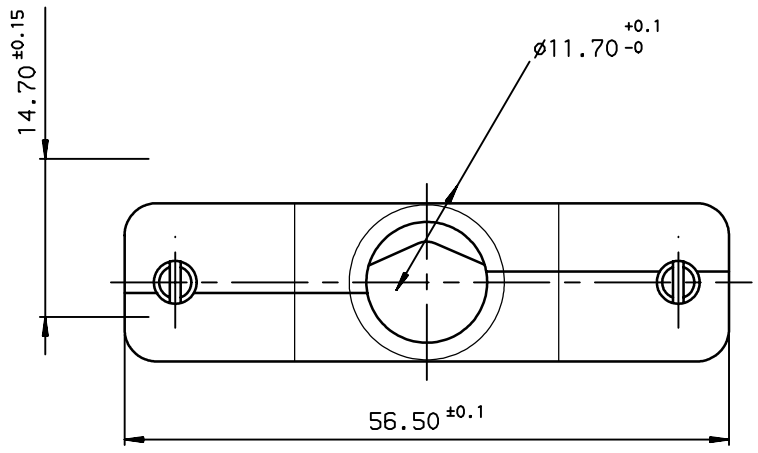
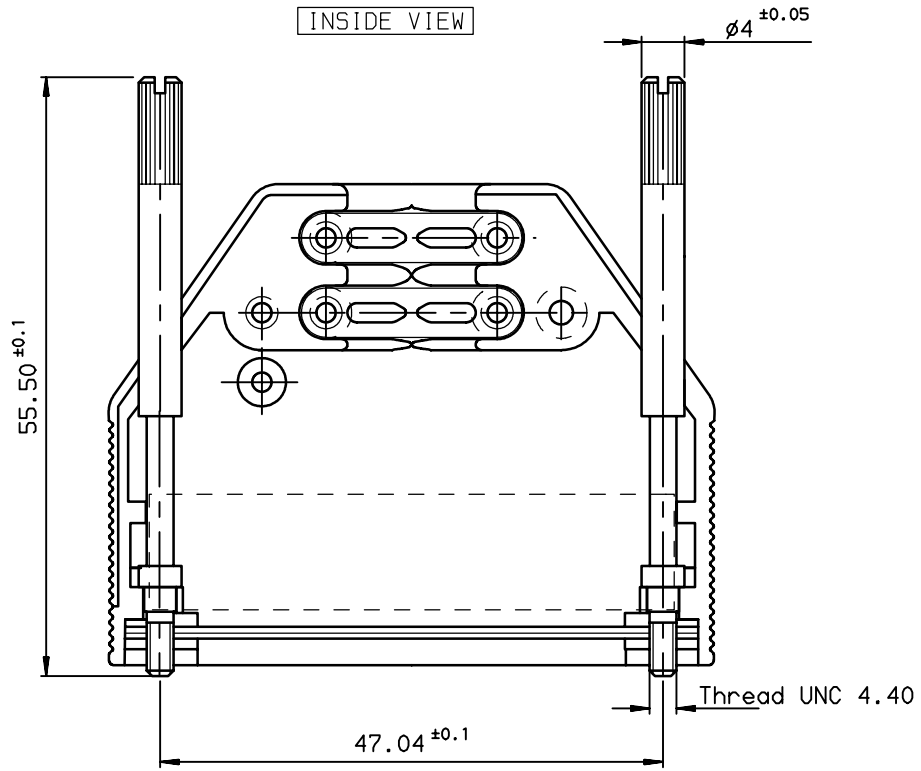
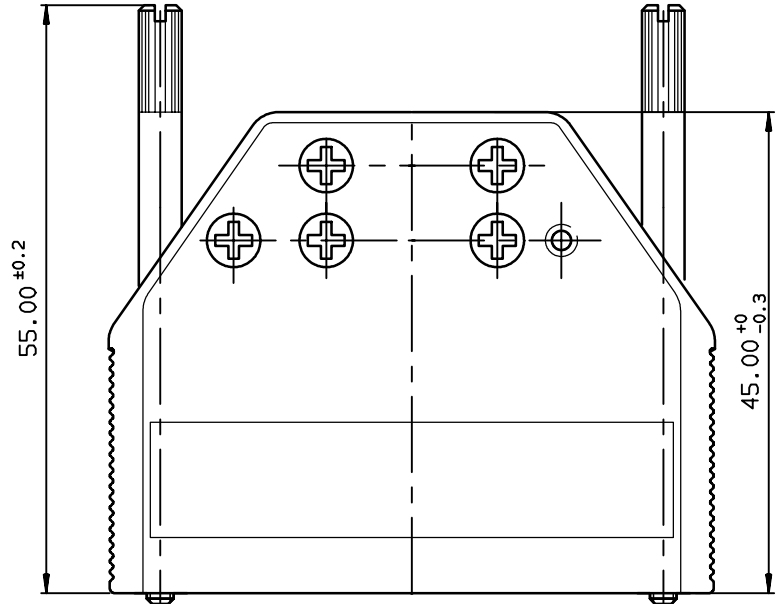
D

A

B

C

D



Pull Parts		
PART NUMBER	8655MH2511	PACKAGING: per 60 pieces

European Views

www.fciconnect.com		surface ISO 1302 ✓	tolerance std ISO 406 ISO 1101	projection mm
TOLERANCES UNLESS OTHERWISE SPECIFIED				
Dr	JARRY	2002/07/01	0.X ±0.1	size A3
Eng	PESSON	2002/07/01	0.XX ±0.1	
Chr	LEGARE	2002/07/01	0.XX ±2°	ECN LS06-0097
Appr	LEGARE	2002/07/01	0.XXX ±0.1	
Product family			D-SUB	Spec ref -
		SHIELDED HOODS - TWO PARTS (Shell size 25)		Rev. F
catalog no		-		dwg no C01-8655-0627-2
CUSTOMER		sheet 2 of 2		

rev	ecn no	dr	date
C	-	JAR	2002/08/12
D	LS05-0026	MPE	2005/07/08
E	LS05-0083	LGO	2005/09/07
F	LS06-0097	LGO	2006/07/28
-	-	-	-
-	-	-	-

1

2

3

4



Copyright FCI.