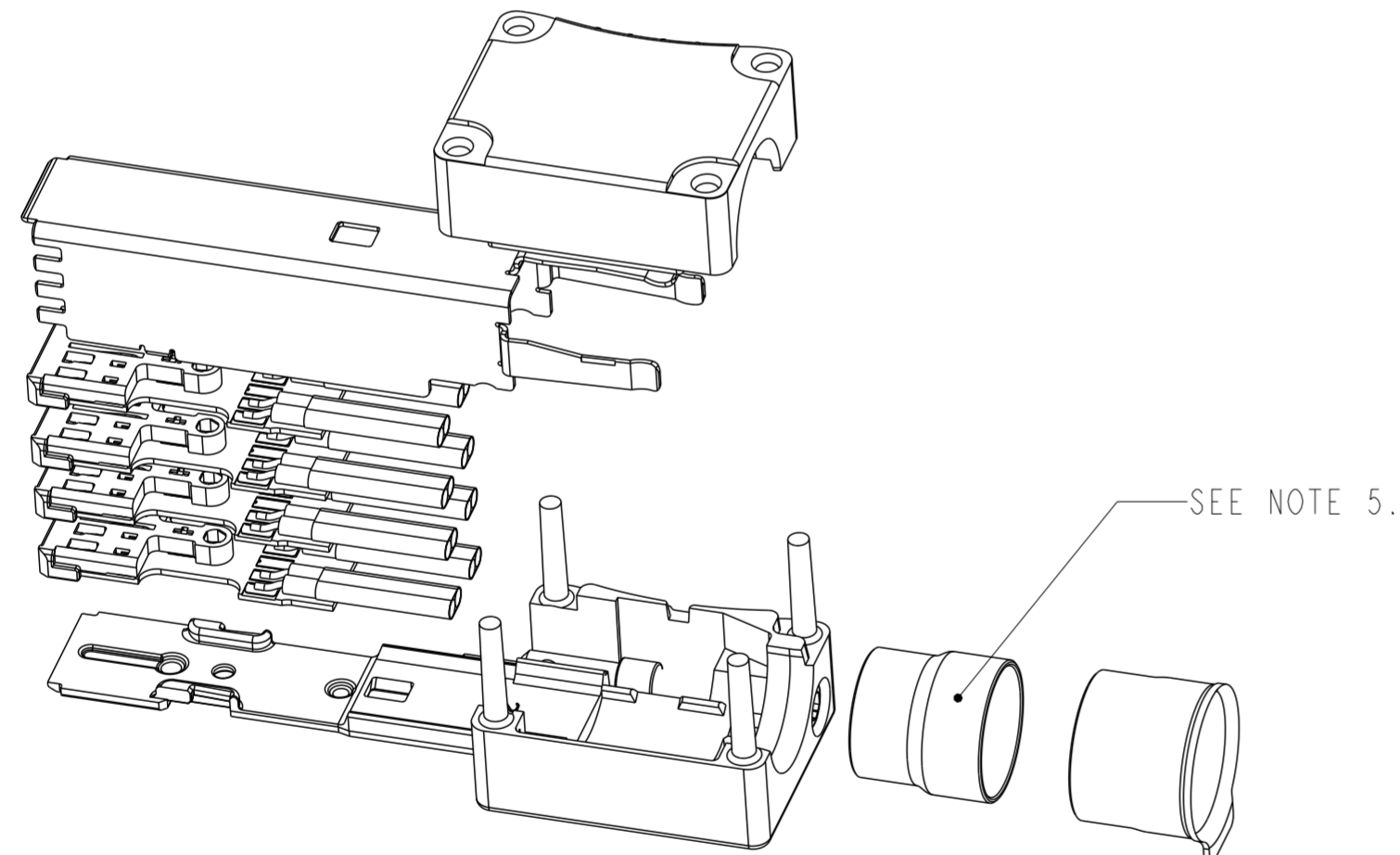


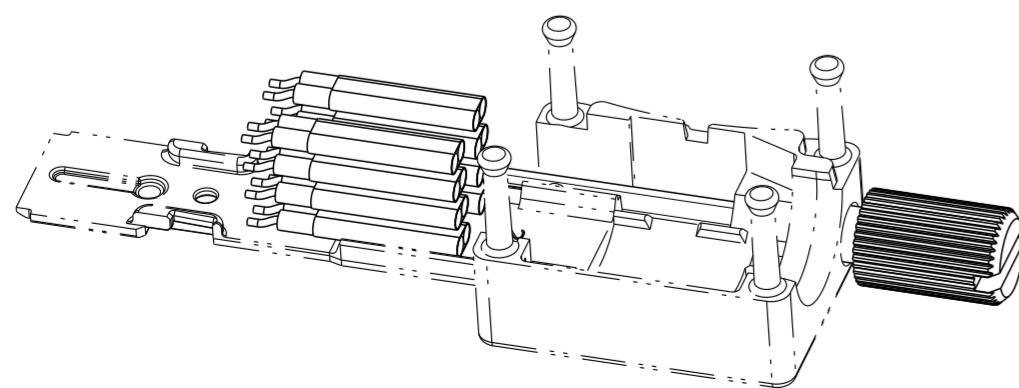
		QUANTITY OF TERMINAL BLOCKS:						
PART NUMBERING		HIGH SPEED VERSION	STANDARD VERSION	HOUSING SPACER SEE NOTE 4	M1.6 LOCKING SCREW -PRE-ASSEMBLED IN LOWER COVER.	Sheetmetal Cover 10039720-002	Sheetmetal Cover 10039720-003	MAXIMUM CABLE SIZE: SEE NOTE 5
A	10044473-101111LF	4	0	0	TORX T5-DIN912	1	-	Ø 8.1
	10044473-102111LF	0	4	0	TORX T5-DIN912	1	-	Ø 8.1
	10044473-103111LF	0	2	2	TORX T5-DIN912	1	-	Ø 8.1
	10044473-101121LF	4	0	0	TORX T5-DIN912	1	-	Ø 5.4
	10044473-102121LF	0	4	0	TORX T5-DIN912	1	-	Ø 5.4
	10044473-103121LF	0	2	2	TORX T5-DIN912	1	-	Ø 5.4
	10044473-101112LF	4	0	0	THUMBSCREW	1	-	Ø 8.1
	10044473-102112LF	0	4	0	THUMBSCREW	1	-	Ø 8.1
	10044473-103112LF	0	2	2	THUMBSCREW	1	-	Ø 8.1
	10044473-101122LF	4	0	0	THUMBSCREW	1	-	Ø 5.4
B	10044473-102122LF	0	4	0	THUMBSCREW	1	-	Ø 5.4
	10044473-103122LF	0	2	2	THUMBSCREW	1	-	Ø 5.4
	10044473-101113LF	4	0	0	HEXAGON SCREW	1	-	Ø 8.1
	10044473-102113LF	0	4	0	HEXAGON SCREW	1	-	Ø 8.1
	10044473-103113LF	0	2	2	HEXAGON SCREW	1	-	Ø 8.1
	10044473-101123LF	4	0	0	HEXAGON SCREW	1	-	Ø 5.4
	10044473-102123LF	0	4	0	HEXAGON SCREW	1	-	Ø 5.4
	10044473-103123LF	0	2	2	HEXAGON SCREW	1	-	Ø 5.4
	10044473-101213LF	4	0	0	HEXAGON SCREW	-	1	Ø 8.1

**TORX VERSION OR HEXAGON SCREW VERSION:**



**OR**

**THUMBSCREW VERSION:**



**NOTES:**

- MATES WITH FCI PLUG CONNECTOR: 10044471 SERIES.
- MATERIALS:  
LOWER- AND UPPER COVER - ZINC ALLOY, Cu-Ni-Sn PLATED.  
SHEETMETAL COVER - COPPER ALLOY(10039720-002) OR STAINLESS STEEL(10039720-003).  
FERRULES: COPPER ALLOY, Ni-Sn PLATED.  
TERMINAL BLOCK:  
- HOUSING - THERMOPLASTIC. <sup>H</sup>  
- TERMINALS - COPPER ALLOY; FINISH: PALLADIUM-NICKEL ALLOY WITH GOLD OVERPLATING Ni-UNDERLAYER IN CONTACT AREA.  
- TRANSITION BOARD - FR4 FIBERGLASS FILLED EPOXY.  
- LOCKING SCREW - STAINLESS STEEL.  
- SCREW STOP - TEFLON
- REFER TO FCI APPLICATION SPECIFICATION GS-20-047 FOR ASSEMBLY INSTRUCTIONS.}
- HOUSING SPACERS ARE TO BE FITTED ONLY IN COLUMNS 2,3 OR 4.
- INNER FERRULE TO SUIT CABLE OUTER DIAMETER.
- FCI PRODUCT SPECIFICATION GS-12-314.
- THIS PRODUCT MEETS EUROPEAN UNION DIRECTIVES AND OTHER COUNTRY REGULATIONS}
- AS DISCRIBED IN GS-22-008.
- A <sup>H</sup>SYMBOL WILL BE NEXT TO ANY DIMENSION, VIEW, OR NOTE WHICH HAS BEEN MODIFIED WITH THE CURRENT DRAWING REVISION

rev	ecn no	dr	date
H	DG-17085	DF	2014-03-03
-	-	-	-
C	H06-0003	PEP	060124
D	H06-0139	PEP	061113
E	DG07-0077	CLU	070308
F	DG07-0253	CLU	070621
G	DG07-0257	CLU	070622

spec ref	dr	Terran Huang	2010/10/28	projection	mm	size	A2	scale	1:1
tolerance std	eng	Qin De-Feng	2014/03/04		mm	ecn no	ELX-DG-17085-1	rel level	Released
ISO 406 ISO 1101	chr	Shawn He	2014/03/04						
	appr	Pei-Ming Zheng	2014/03/05	product family		rel level			
surface	linear	0.X	±0.30		<b>CABLE CONNECTOR KIT</b> DENS1-SHIELD I/O 8pair	dwg no 10044473	rev H	Product - Customer Drw	
		0.XX	±0.20					sheet 1 of 2	
		0.XXX	±0.10						
ISO 1302	angular	0°	±2°	www.fci.com	cat. no.				

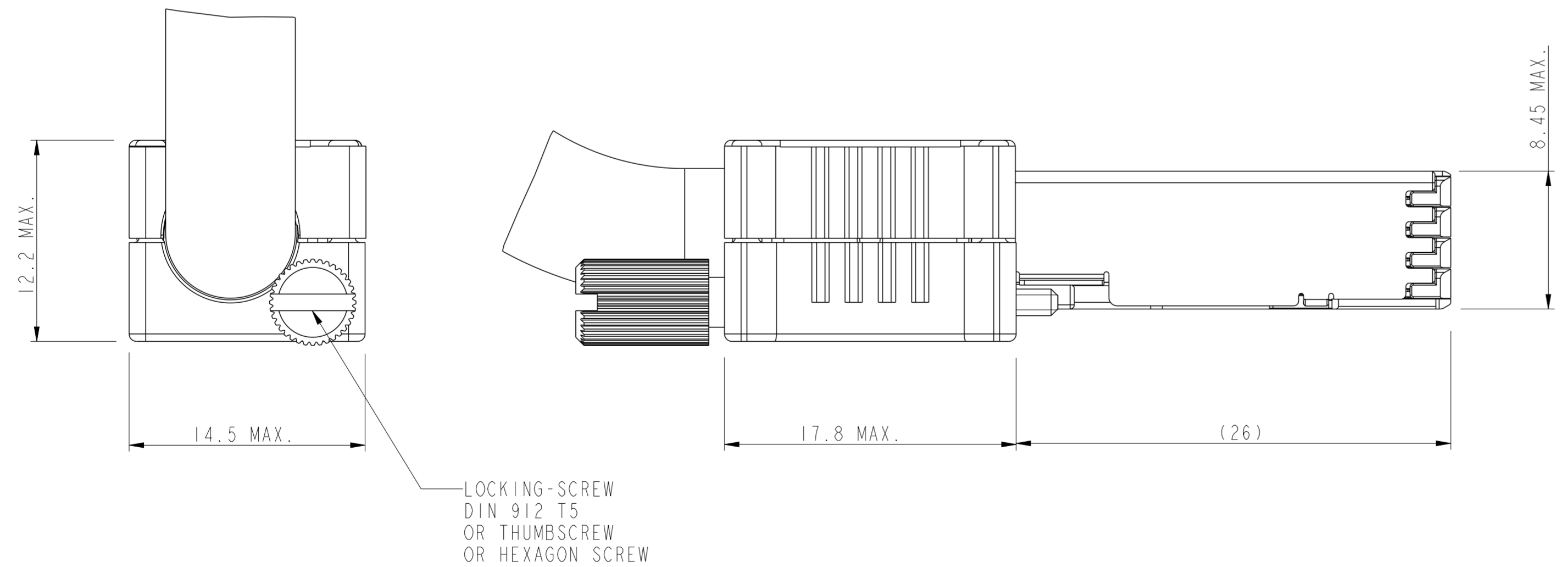
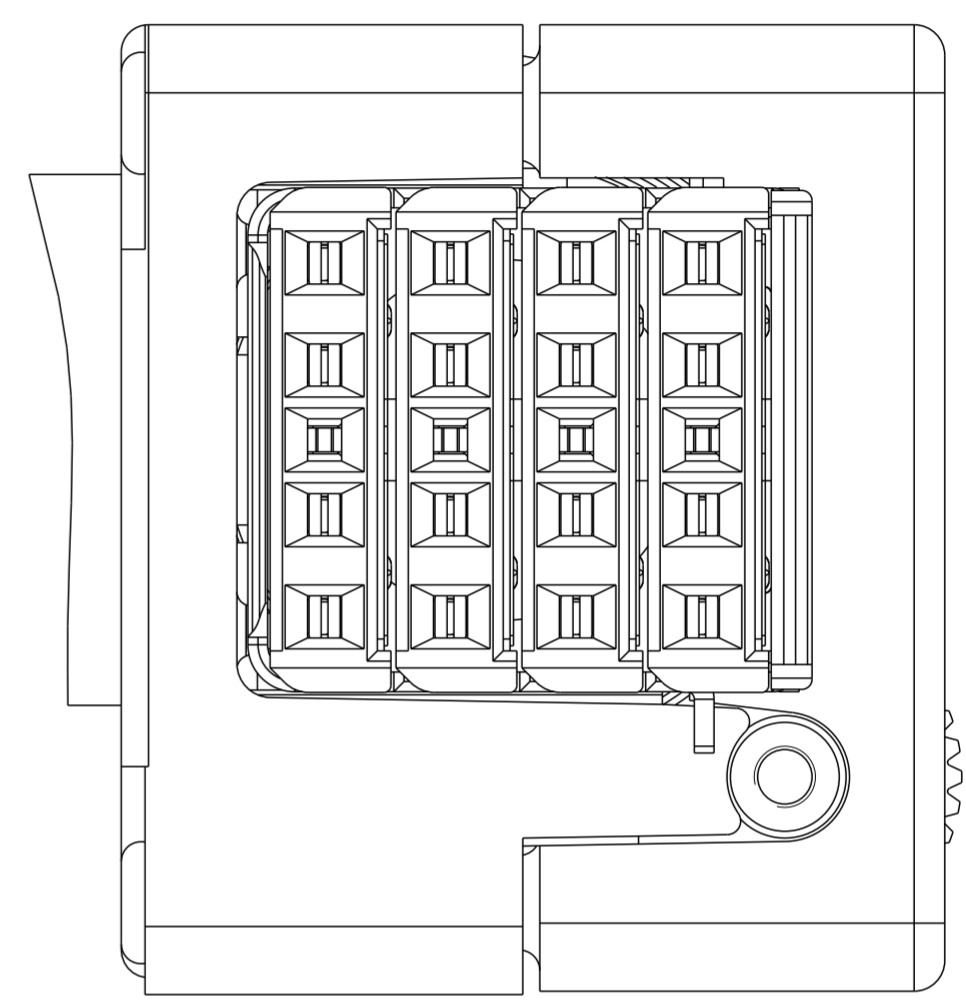
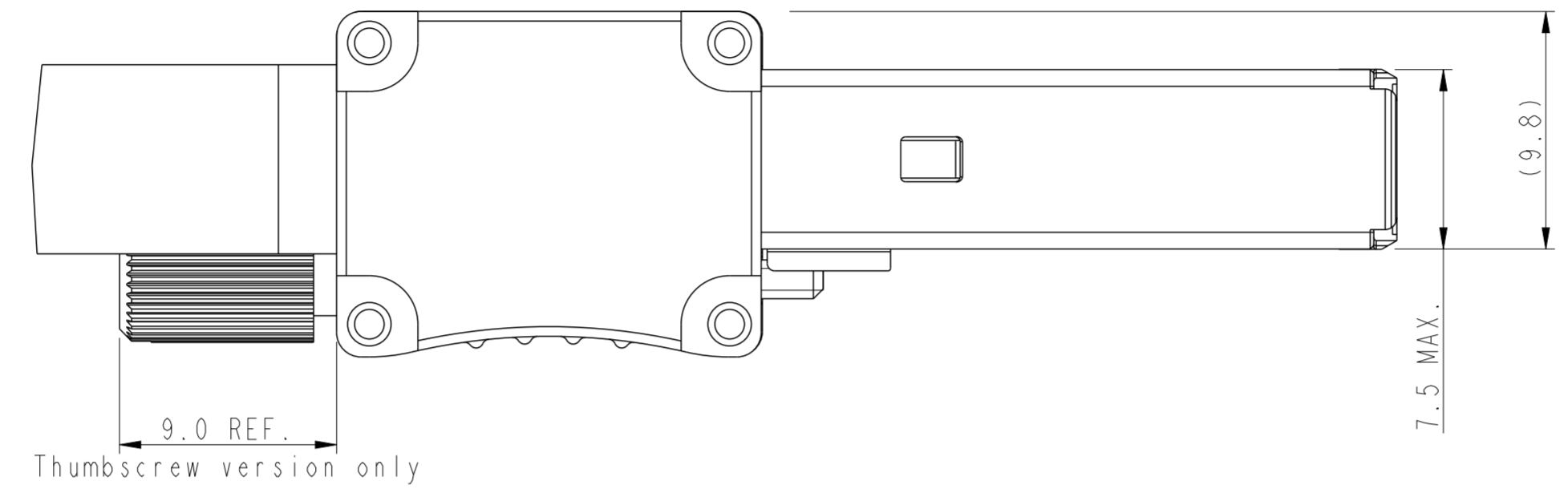
1 2 3 4 5 6 7 8

A  
B  
C  
D  
E  
F

PIN NUMBERING SEEN FROM MATING SIDE:

COLUMN NO:  
4 3 2 1

ROW:  
E  
D  
C (GND)  
B  
A



Copyright FCI.  
FCI

spec ref	dr	Terran Huang	2010/10/28	projection	mm	size	A2	scale	4:1
tolerance std	eng	Qin De-Feng	2014/03/04			ecn no	ELX-DG-17085-1	rel level	Released
ISO 406 ISO 1101	chr	Shawn He	2014/03/04						
surface	linear	0.X	±0.30		title CABLE CONNECTOR KIT DENS1-SHIELD I/O 8pair	dwg no 10044473	rev H	Product - Customer Drw	
		0.XX	±0.20					cat. no.	sheet 2 of 2
ISO 1302	angular	0°	±2°	www.fci.com					

PDS: Rev :H

STATUS:Released

Printed: Mar 05, 2014

2

3

4

5