

Datasheet

Item No. Z1.298.1353.0

Fuse disconnect lever THSI 5X20GL 250

Fuse disconnect lever for disconnect terminal blocks selos / fasis / taris



Item No.	Z1.298.1353.0
EAN	4015573710863
order unit	10 Piece(s)

Approvals



Technical data

General

Colour	Grey
Width/grid dimension	6 mm
Insulating housing	PA666
Inflammability class of insulation material acc. with UL94	V0
Mounting method	Direct mounting
Fuse insert	G-fuse 5x20 mm

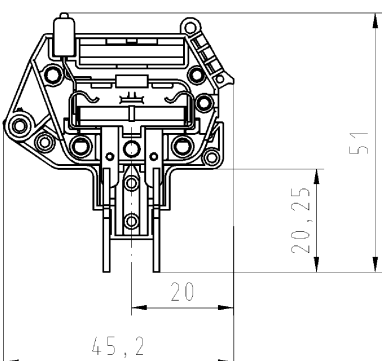
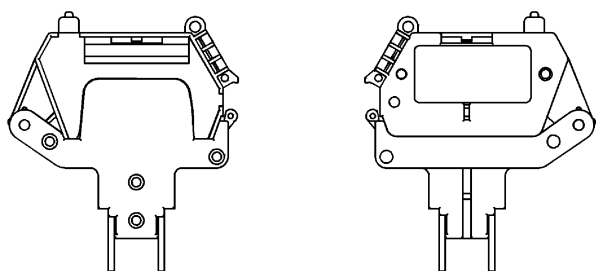
Technical data

Rated voltage	250 V
Closing plate required	No
Length	45.2 mm
Type of insulation material	Thermoplastic

Accessories

Remark to rated voltage	Note fuse insert
Remark to rated current	Note fuse insert
Defect indicator	Glow lamp
Minimum operating voltage of defective display	110 V
Maximum operating voltage of defective display	250 V

Drawings

<p style="font-size: small;">These dimensions will be especially checked at delivery Only inspection dimensions Mit den Maßangaben sind nur für interne Zwecke zu prüfen</p> <p style="font-size: small;">Diese Maße werden bei Abnahme besonders geprüft Ausschließlich Prüfmaße Mit den Massenangaben sind nur für interne Zwecke zu prüfen</p>	<p>Baubreite/width 6 mm</p>  <p>45,2 51 20,25 20</p>	<p>1 2 3 4 5 6 7 8 9 10 11 12 13 14 15 16 17 18 19 20 M1 M2 M3 L G i 11.1 12.1 1.1</p>																																																							
	<p>Do not disconnect under load. Ne débrancher pas sous charge.</p> <p>Weitere Daten siehe Katalog further data see catalog</p>																																																								
	<p>Vorderansicht/front view M1:1 Rückseite/rear view M1:1</p> 																																																								
<p>Zulässige Abweichungen nach DIN 7167/Permissible deviations acc. to DIN 7167. [This DIN-standard describes the envelope principle. According to the envelope principle the deviations of form and parallelism are limited by the size tolerances].</p>		<p>ja/yes <input checked="" type="checkbox"/> Stoffverbots- und Deklarationsliste nach UU-TQM-05/03 ist einzuhalten. Conformity with Wieland document UU-TQM-05/03 [list of prohibited / declarable hazardous substances] to be declared!</p>																																																							
<p>Freitoleranz nach General tolerance</p>	<p>CAD - Zeichnung, keine manuellen Änderungen CAD - drawing, no manual modifications allowed</p>	<p>1. Verwendung: - First Use:</p>																																																							
<table border="1" style="width:100%; border-collapse: collapse;"> <tr> <td style="width: 10%;"></td> <td style="width: 10%; text-align: center;">/</td> <td style="width: 10%; text-align: center;">/</td> <td style="width: 10%; text-align: center;">/</td> <td style="width: 10%; text-align: center;">/</td> <td style="width: 10%; text-align: center;">/</td> <td style="width: 10%; text-align: center;">/</td> <td style="width: 10%; text-align: center;">/</td> <td style="width: 10%; text-align: center;">/</td> <td style="width: 10%; text-align: center;">/</td> <td style="width: 10%; text-align: center;">/</td> </tr> <tr> <td style="text-align: center;">Werkstoff/Material</td> <td style="text-align: center;">2006</td> <td style="text-align: center;">Tag/Date</td> <td style="text-align: center;">Name</td> <td colspan="7" style="text-align: center;">Zeichnung Nr./Drawing No.</td> <td style="text-align: center;">Index</td> </tr> <tr> <td style="text-align: center;">bezeichnet durch</td> <td style="text-align: center;">12.12.</td> <td style="text-align: center;">Schmitt J.</td> <td colspan="7" style="text-align: center;">Z1.298.1353.0 01K</td> <td></td> </tr> <tr> <td style="text-align: center;">geprüft</td> <td style="text-align: center;">-</td> <td style="text-align: center;">-</td> <td colspan="7" style="text-align: center;">Maße in mm/Dimensions are in mm</td> <td></td> </tr> <tr> <td style="text-align: center;">Nomenkl. Stand. check</td> <td style="text-align: center;">-</td> <td style="text-align: center;">-</td> <td colspan="7" style="text-align: center;">Ersatz für/Replacement for: -</td> <td></td> </tr> </table>		/	/	/	/	/	/	/	/	/	/	Werkstoff/Material	2006	Tag/Date	Name	Zeichnung Nr./Drawing No.							Index	bezeichnet durch	12.12.	Schmitt J.	Z1.298.1353.0 01K								geprüft	-	-	Maße in mm/Dimensions are in mm								Nomenkl. Stand. check	-	-	Ersatz für/Replacement for: -								<p>Blatt: 1 von 1 Sheet: 1 of 1</p>
	/	/	/	/	/	/	/	/	/	/																																															
Werkstoff/Material	2006	Tag/Date	Name	Zeichnung Nr./Drawing No.							Index																																														
bezeichnet durch	12.12.	Schmitt J.	Z1.298.1353.0 01K																																																						
geprüft	-	-	Maße in mm/Dimensions are in mm																																																						
Nomenkl. Stand. check	-	-	Ersatz für/Replacement for: -																																																						
<table border="1" style="width:100%; border-collapse: collapse;"> <tr> <td style="width: 10%;"></td> <td style="width: 10%; text-align: center;">/</td> <td style="width: 10%; text-align: center;">/</td> <td style="width: 10%; text-align: center;">/</td> <td style="width: 10%; text-align: center;">/</td> <td style="width: 10%; text-align: center;">/</td> <td style="width: 10%; text-align: center;">/</td> <td style="width: 10%; text-align: center;">/</td> <td style="width: 10%; text-align: center;">/</td> <td style="width: 10%; text-align: center;">/</td> <td style="width: 10%; text-align: center;">/</td> </tr> <tr> <td style="text-align: center;">wieland</td> <td style="text-align: center;">Type</td> <td colspan="9" style="text-align: center;">Benennung/Title</td> </tr> <tr> <td style="text-align: center;">THS1 5x20</td> <td colspan="9" style="text-align: center;">FUSE DISCONNECT LEVER GL</td> </tr> <tr> <td style="text-align: center;">GL 250</td> <td colspan="9" style="text-align: center;">SI_TRENNHEBEL_GL</td> </tr> <tr> <td colspan="11" style="text-align: center;">f. Feinsicherung 5x20 max. 6,3 A / GL 250 V for fuse 5x20 max. 6,3 A / GL 250 V</td> </tr> </table>		/	/	/	/	/	/	/	/	/	/	wieland	Type	Benennung/Title									THS1 5x20	FUSE DISCONNECT LEVER GL									GL 250	SI_TRENNHEBEL_GL									f. Feinsicherung 5x20 max. 6,3 A / GL 250 V for fuse 5x20 max. 6,3 A / GL 250 V											<p>DU-PEM-08/91</p>			
	/	/	/	/	/	/	/	/	/	/																																															
wieland	Type	Benennung/Title																																																							
THS1 5x20	FUSE DISCONNECT LEVER GL																																																								
GL 250	SI_TRENNHEBEL_GL																																																								
f. Feinsicherung 5x20 max. 6,3 A / GL 250 V for fuse 5x20 max. 6,3 A / GL 250 V																																																									