

Datasheet

Item No. Z1.298.1053.0

Fuse disconnect lever THSI 5X20

Fuse disconnect lever for disconnect terminal blocks selos / fasis / taris



Item No.	Z1.298.1053.0
EAN	4015573710832
order unit	10 Piece(s)

Approvals



Technical data

General

Colour	Grey
Width/grid dimension	6 mm
Insulating housing	PA666
Inflammability class of insulation material acc. with UL94	V0
Mounting method	Direct mounting
Fuse insert	G-fuse 5x20 mm

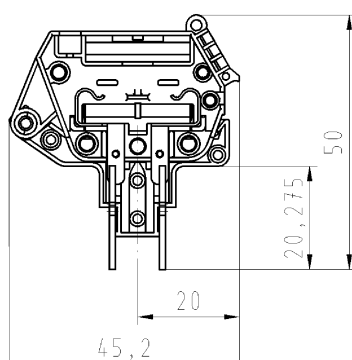
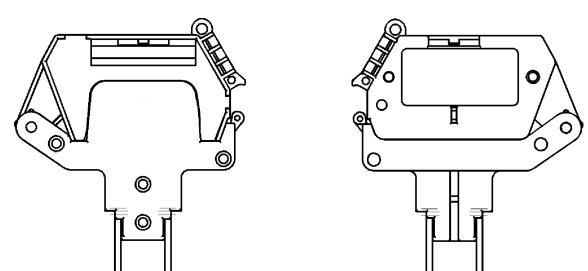
Technical data

Rated voltage	250 V
Pollution degree	3
Closing plate required	No
Length	45.2 mm
Type of insulation material	Thermoplastic

Accessories

Remark to rated voltage	Note fuse insert
Remark to rated current	Note fuse insert

Drawings

				A
A	Baubreite/width 6 mm			1
<p style="font-size: small;">These dimensions will be especially checked at delivery Only inspection dimensions Mit / de marked dimensions are only valid for internal use</p>				2
<p style="font-size: small;">Do not disconnect under load. Ne debracher pas sous charge.</p>	<p style="font-size: small;">Weitere Daten siehe Katalog further data see catalog</p>			3
<p style="font-size: small;">Diese Maße werden bei Abnahme besonders geprüft Ausserlichlich Prüfmaße Mit / de messungswerte sind nur für interne Zwecke gültig</p>	<p style="font-size: small;">Vorderansicht/front view M1:1 Rückseite/rear view M1:1</p>			4
<p style="font-size: small;">These dimensions will be especially checked at delivery Only inspection dimensions Mit / de marked dimensions are only valid for internal use</p>				5
<p style="font-size: small;">Zulässige Abweichungen nach DIN 7167/Permissible deviations acc. to DIN 7167. [This DIN-standard describes the envelope principle. According to the envelope principle the deviations of form and parallelism are limited by the size tolerances].</p>	<p style="font-size: small;">ja/yes <input checked="" type="checkbox"/> Stoffverbots- und Deklarationsliste nach UU-TQM-05/03 ist einzuhalten. Conformity with Wieland document UU-TQM-05/03 [list of prohibited / declarable hazardous substances] to be declared!</p>			6
<p style="font-size: small;">Freitoleranz nach General tolerance</p>	<p style="font-size: small;">CAD - Zeichnung, keine manuellen Änderungen CAD - drawing, no manual modifications allowed</p>			7
<p style="font-size: small;">Werkstoff/Material</p>	<p style="font-size: small;">2006 Tag/Date Name</p>			8
<p style="font-size: small;">Maßstab/Scale</p>	<p style="font-size: small;">bezeichnet drawn 12.12. Schmitt J.</p>			9
<p style="font-size: small;">Vol. mm Off./Surf. mm</p>	<p style="font-size: small;">geprüft checked - -</p>			10
<p style="font-size: small;">Ersatz für/Replacement for: -</p>	<p style="font-size: small;">Warngepr. Stand. check - -</p>			11
<p style="font-size: small;">wieland</p>	<p style="font-size: small;">Zeichnung Nr./Drawing No. Index</p>			12
<p style="font-size: small;">Type</p>	<p style="font-size: small;">1. Verwendung: - Blatt: 1 von 1 First Use: Sheet: 1 of 1</p>			13
<p style="font-size: small;">Benennung/Title</p>	<p style="font-size: small;">Maße in mm/Dimensions are in mm</p>			14
<p style="font-size: small;">f. Feinsicherung 5x20 max. 6,3 A for fuse 5x20 max. 6,3 A</p>	<p style="font-size: small;">Z1.298.1053.0 01K</p>			15
<p style="font-size: small;">Änderung/Revision</p>	<p style="font-size: small;">THS1/ 5x20</p>			16
<p style="font-size: small;">DU-PEM-08/91</p>	<p style="font-size: small;">Z1.2981.03.0001K_4_CADW1042_Schmitt_2006-12-12_131084219_1.000</p>			17
1	2	3	DU-PEM-08/91	A