



2GRE45 160x62R

N15-B2 p



DATA SHEET

release. 0 - Revision 05-2014

Replace L36-A6 p

Voltage	Frequency	Input Power	Input Current	Capacitor	Airflow	Rotation speed	Acoustic level	Direction rotation	Admissible Temperature
V	Hz	W	A	µF	m³/h	RPM	dBA	↻	Min/Max
230	50	268	1,19	5,0	630	2125	66	R	-20°C / +70°C
230	60	305	1,33	5,0	510	2180	64	R	-20°C / +60°C
230	50				370 CFM				-4°F / 158°F
230	60				300 CFM				-4°F / 140°F



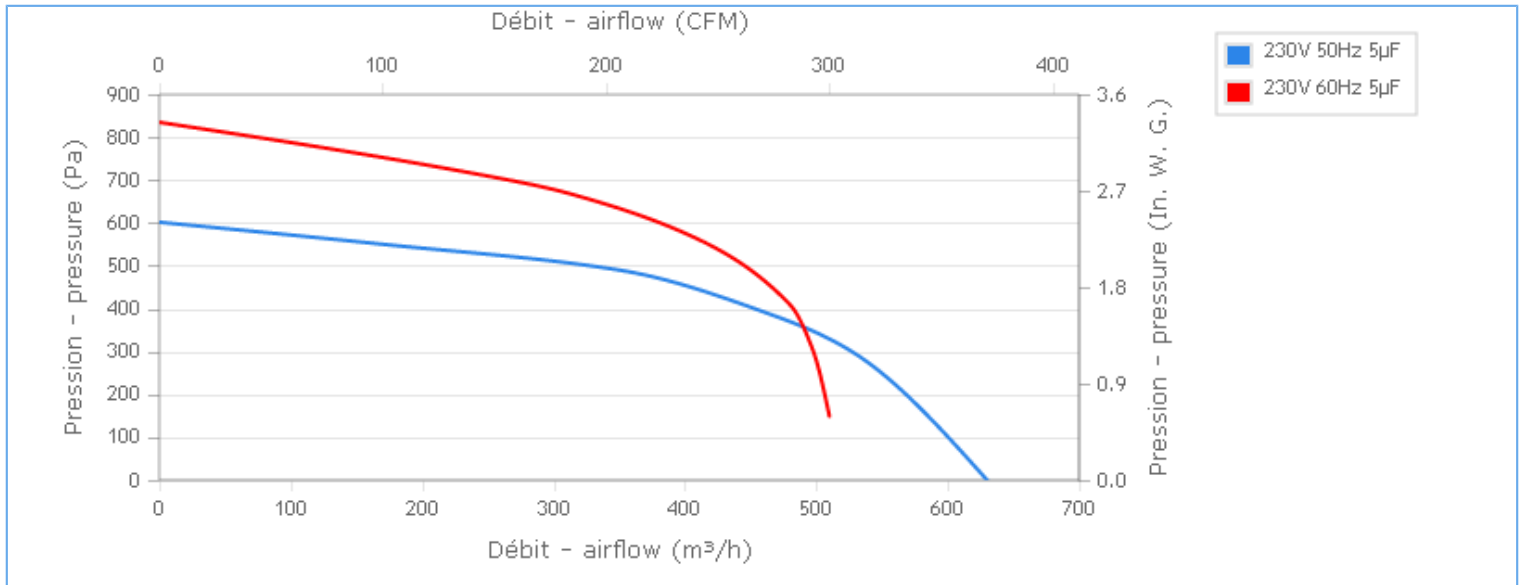
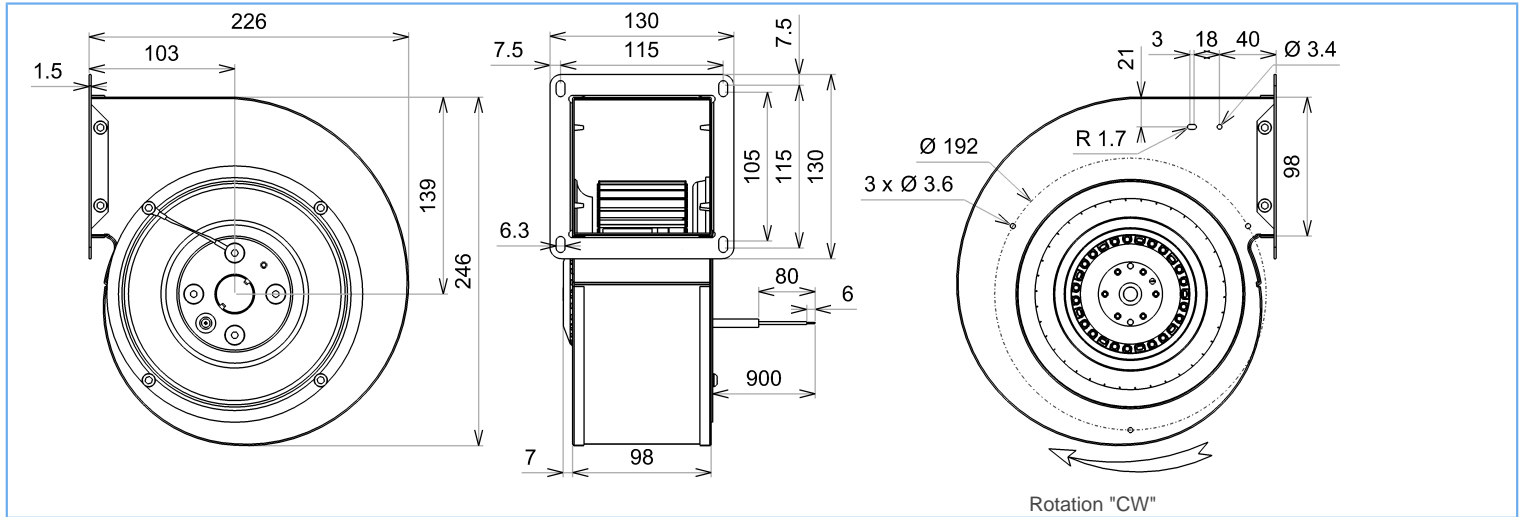
dBA : free blowing

ErP 2013

OK

ErP 2015

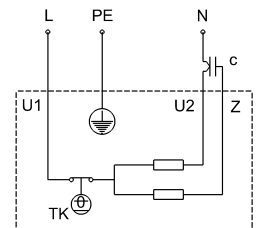
OK



Description

- .Weight : 4,1 Kg
- .Ball bearing
- .Class F, thermally protected
- .IP44 protection depending on installation and position as per EN60034-5
- .G2.5 balancing
- .Galvanized steel impeller
- .Rotor : black paint
- .Ring : black paint

U1 = Blue
U2 = Black
Z = Brown
PE = Green/Yellow





2GRE45 160x62R

N15-B2 p



DATA SHEET

release. 0 - Revision 05-2014

Replace L36-A6 p

Data in accordance to ErP directive

Voltage	230	V
Frequency	50	Hz
Power	0,147	kW ⁽¹⁾
Airflow	350	m ³ /h ⁽¹⁾
Pressure	490	Pa ⁽¹⁾
Rotation speed	2734	RPM ⁽¹⁾

(1) at optimal efficiency point

	Actual	Request 2013	Request 2015
Overall efficiency (η)	32,5	25,4	32,4
Efficiency grade	44	37	44
Installation category	A		
Efficiency category	static		
Variable speed drive	No		
Specific ratio	1,00		

Designed for regular application according ErP directive EU 2009/125/EC

Accessories

- 19131
- 19131
- 21291

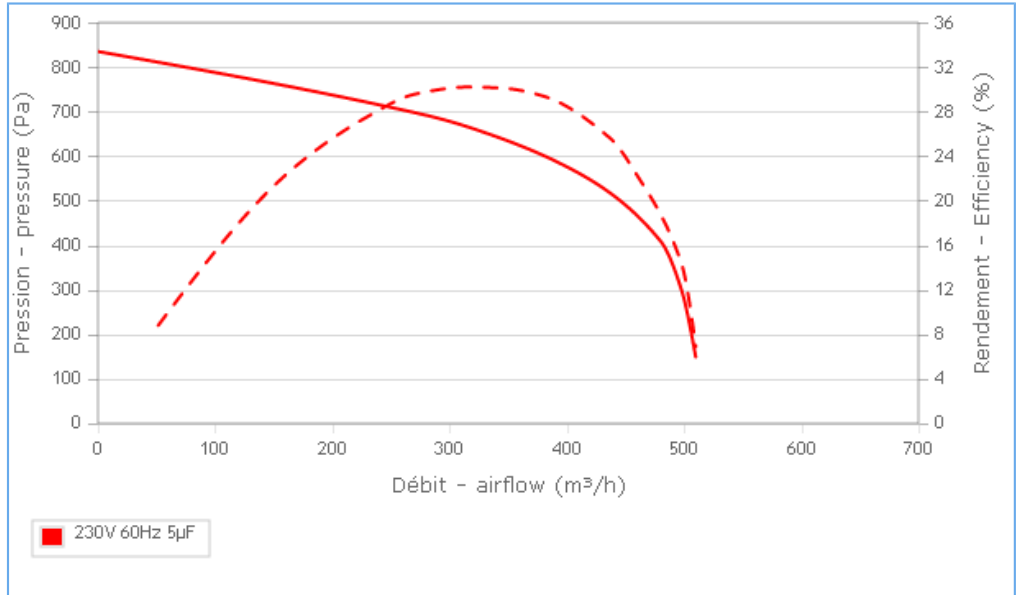
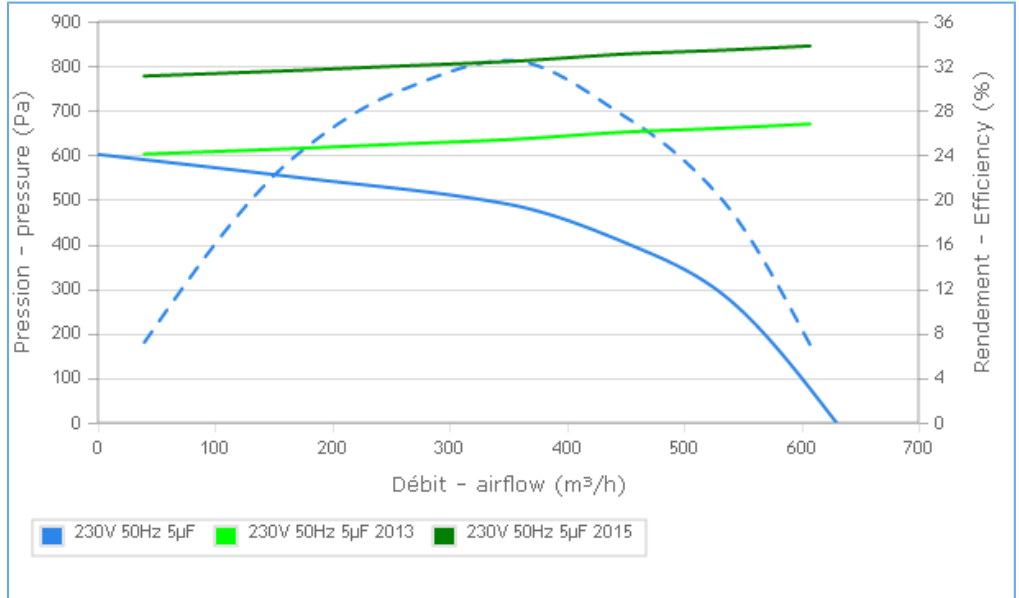
Measurement setup

Contact ECOFIT

Documents

Manuel d'utilisation
www.ecofit.com/site/normes

Operating and recycling manual
www.ecofit.com/anglais/normes



Non contractual document. All specifications are subject to change without prior notice. Picture for information only.

