

DC Axial Fans

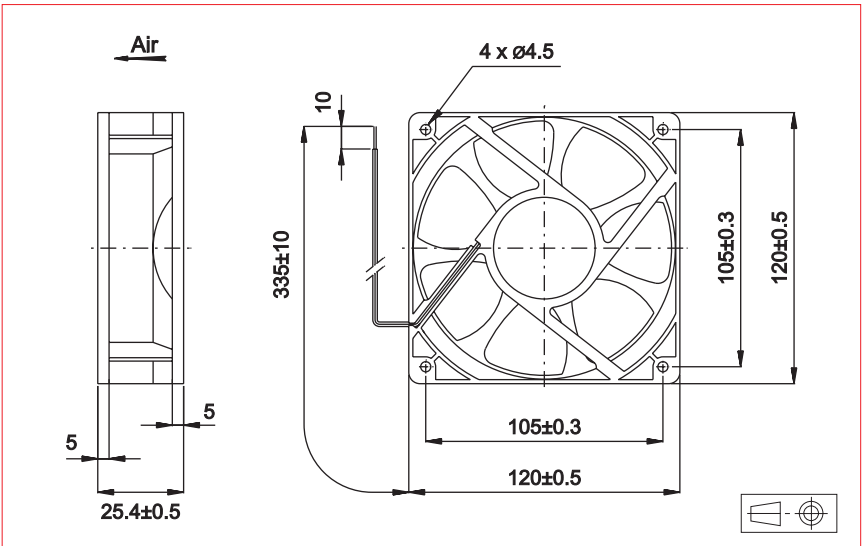


Approvals



Life expectancy

L-10 LIFE AT 40°C:
80 000 hours

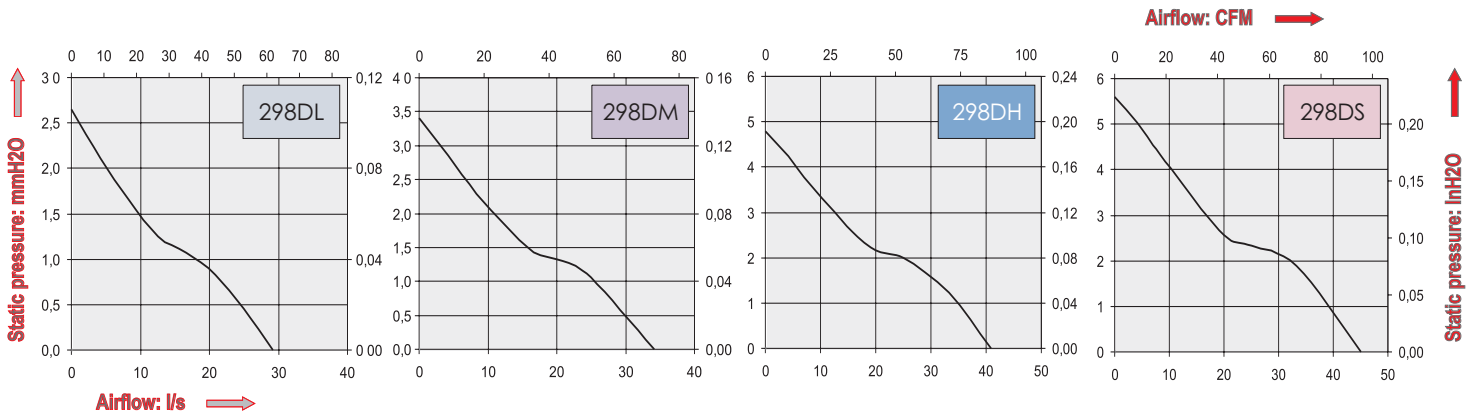


Brushless DC Motor

Electrical protection: impedance protected
Housing material: plastic UL 94 VO
Impeller material: plastic UL 94 VO
Weight: 180 g
Bearing system: ball bearings

Available with:

- Variable speed
- Speed sensor
- Alarm
- IP54 / IP55



Part Number	Nominal voltage	Airflow	Noise level	Nominal speed	Input Power	Voltage range	Connection type		Operating temperature	
	V						l/s	dB(A)	RPM	W
298DL1LP11000	12	29,2	30,2	1750	1,68	(7-13,8)	X		-10	70
298DL2LP11000	24	29,2	30,2	1750	2,40	(14-27,6)	X		-10	70
298DM1LP11000	12	34,2	34	2100	2,40	(7-13,8)	X		-10	70
298DM2LP11000	24	34,2	34	2100	3,36	(14-27,6)	X		-10	70
298DH1LP11000	12	40,8	37,6	2470	4,32	(7-13,8)	X		-10	70
298DH2LP11000	24	40,8	37,6	2470	4,80	(14-27,6)	X		-10	70
298DS1LP11000	12	45,6	42,5	2800	7,32	(7-13,8)	X		-10	70
298DS2LP11000	24	45,6	42,5	2800	6,24	(14-27,6)	X		-10	70

Additional versions:

Series: 398D (refer to page 26)

Accessories:

Refer to Accessories leaflet