



AMERICAS

5810 Van Allen Way  
 Carlsbad, CA 92008  
 Telephone: 760-930-4600  
 Facsimile: 760-930-0698

EUROPE

Astec House, Waterfront Business Park  
 Merry Hill, Dudley  
 West Midlands, DY5 1LX, UK  
 Telephone: 44 (1384) 842-211  
 Facsimile: 44 (1384) 843-355

ASIA

Units 2111-2116, Level 21  
 Tower1, Metroplaza  
 223, Hing Fong Road  
 Fwai Fong, New Territories  
 Hong Kong  
 Telephone: 852-2437-9662  
 Facsimile: 852-2402-4426



AM80A

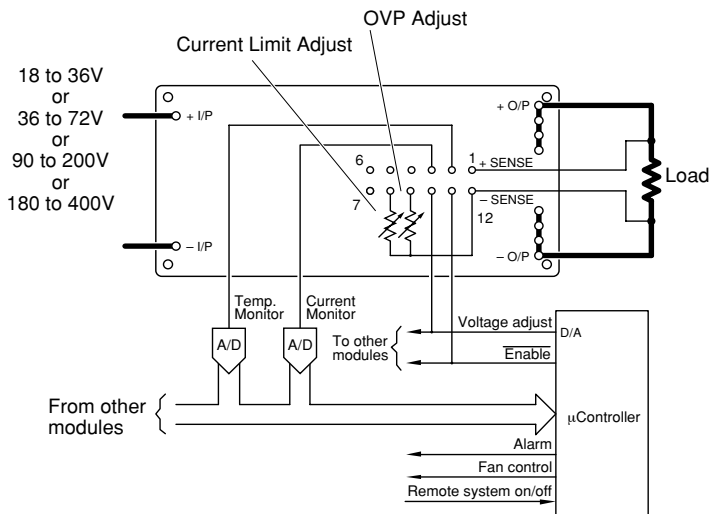
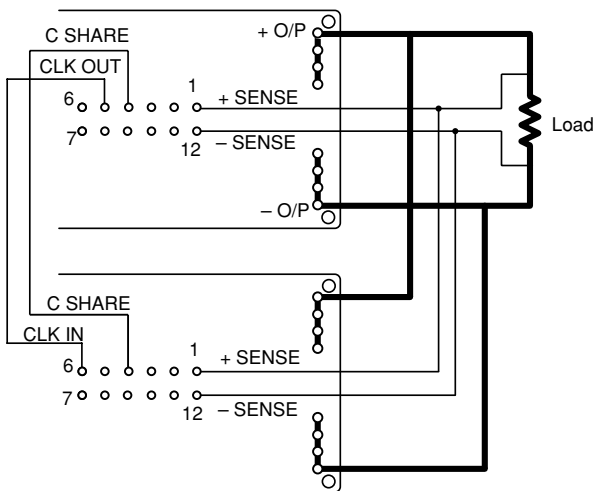
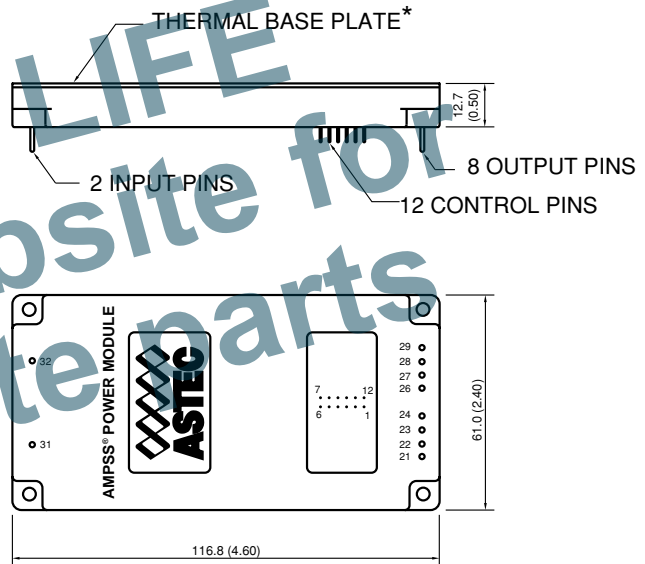
## Ordering Information

Input Voltage	Output Voltage	Output Current	Model Number	Input Voltage	Output Voltage	Output Current	Model Number
300V	2.2V	60A	AM80A-300L-022F60	150V	6.5V	33A	AM80A-150L-065F33
300V	3.3V	50A	AM80A-300L-033F50	48V	1.2V	60A	AM80A-048L-012F60
300V	5V	40A	AM80A-300L-050F40	48V	2.2V	60A	AM80A-048L-022F60
300V	6.5V	33A	AM80A-300L-065F33	48V	3.3V	50A	AM80A-048L-033F50
300V	12V	18A	AM80A-300L-120F18	48V	5V	40A	AM80A-048L-050F40
300V	15V	16A	AM80A-300L-150F16	48V	12V	18A	AM80A-048L-120F18
300V	24V	10A	AM80A-300L-240F10	48V	15V	16A	AM80A-048L-150F16
300V	28V	9A	AM80A-300L-280F09	48V	24V	10A	AM80A-048L-240F10
320V	28V	9A	AM80A-320L-280F09**	24V	6.5V	27A	AM80A-024L-065F27

Please contact Astec for information on other output voltages, power ranges and configurations.

## Pin Assignments

Input	Output	Control Pins
31. +ve	21.	1. +SENSE
32. -ve	22.	2. TEMP MON
	23.	3. C MON
	24.	4. C SHARE
	26.	5. CLK OUT
	27.	6. CLK IN
	28.	7. PG/ID
	29.	8. CLIM ADJ
		9. OVP ADJ
		10. V ADJ
		11. ENABLE
		12. -SENSE



Astec Integrated Power