



**Solid state counter...  
housed in 1/8 DIN  
molded NORYL® case**



The DZ100 is a solid state counter which uses CMOS integrated circuits for the counting function. Counter output action occurs when the count total, indicated by front mounted thumbwheel switches, is reached. Its features include:

- Housed in 1/8 DIN molded NORYL® case
- Standard isolated double pole - double throw relay output
- Factory assembly options provide "interval" or "delay" output sequences
- All connections made through standard square base relay socket
- Accessories available to convert into panel mounted configuration, including version with plug-in capability

**OPERATION**

The DZ100 sets to the selected thumbwheel setting when power is applied to terminals A and B. Counts are applied to a count input terminal, and each count is registered on contact opening. When the registered counts equal the setpoint, the output changes state. The output remains in this state as long as line voltage is applied to terminals A and B. The unit resets when line voltage is removed from either terminal A or B.

A count inhibit input is available with the DZ100 series counter. When line voltage is applied to the count inhibit input, from either terminal A or B, incoming count pulses are not counted. The counter remembers count total at the time the inhibit is applied and resumes counting from that point after the inhibit voltage is removed. The count inputs may be applied from either side of the power line.

**SPECIFICATIONS**

**Count Accuracy:** 100% accurate for any count setting between 1 and 99

**Count Speed:** 600 pulses per min.  
Pulse must have minimum 40 ms ON and 60 ms OFF

**Reset Time:** 50 ms

**Cycle Progress:** Pilot light ON during "COUNT" cycle

**Voltage/Frequency:**  
120 VAC (+10 -15%), 50/60 Hz or 120 VDC (+10 -15%)  
240 VAC (+10 -15%), 50/60 HZ or 240 VDC (+10 -15%)

**Burden:** 120 VAC or DC, 1.9 VA max. relay output  
240 VAC or DC, 2.5 VA max. relay output

**Output Rating:** Relay - 10 amp steady state  
Mechanical Lifetime - over 20 million operations  
Electrical Lifetime - contingent on load characteristics

**Power Interruption:** Line voltage interruptions of 16 ms or less will not reset unit

**Power On Response:** 30 ms max. after application of line voltage to pins A and B

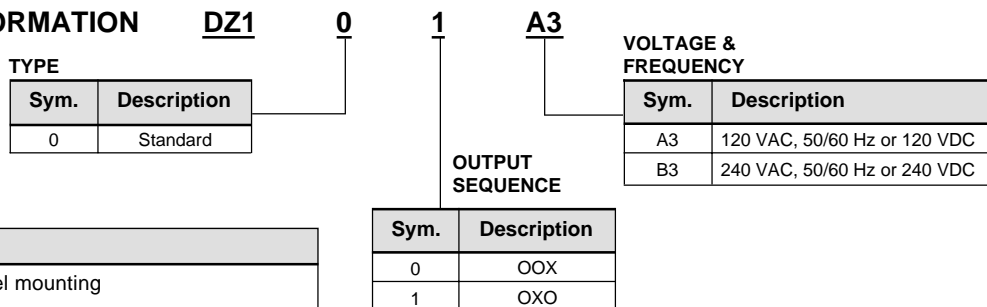
**Temperature Range:** 32° to 140°F (0° to 60°C)

**Transient Voltage Immunity:** Performance unaffected by 50 microseconds, 600 V peak transients superimposed on line input

**Vibration:** Unaffected by 2.5G sinusoidal vibration magnitudes in both directions of three perpendicular mounting axes imposed from 10 to 1000 Hz

**Laboratory Testing:** UL Recognition E96337  
CSA Certification L26861

**ORDERING INFORMATION**



**ACCESSORIES**

Model No.	Description
<b>DZ100-51</b>	Bezel Kit for panel mounting
<b>DZ100-52</b>	Strain Relief Kit
<b>DZ100-54</b>	Plug-In Housing for panel mounting units
<b>DZ100-56</b>	Latch and Latch Release Kit for surface mounting
<b>60SR3B05</b>	Square Base Relay Socket