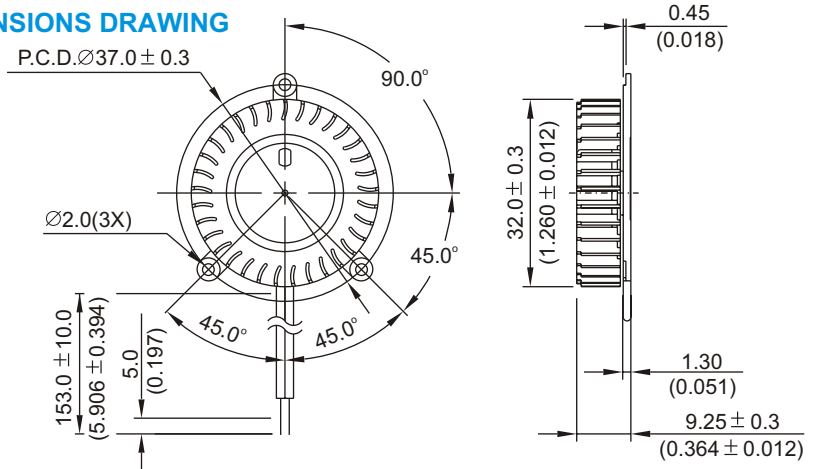


KFB Ø32 x 9.0 MM SERIES

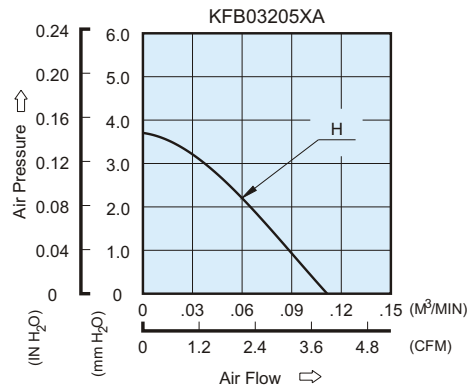


- * Bearing Type
Ball Bearings
- * Material
Impeller & Pillow : Plastic (UL 94V-0)
- * Lead Wires :
UL 1571 AWG #28 OR Equivalent
Red Wire Positive (+)
Black Wire Negative (-)
- * Weight : 6.5g (0.23 oz)

DIMENSIONS DRAWING



P & Q CURVE (AT RATED VOLTAGE)



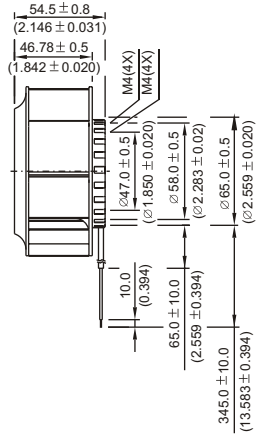
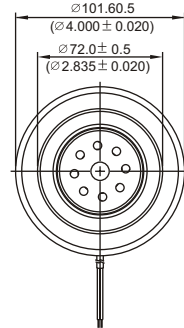
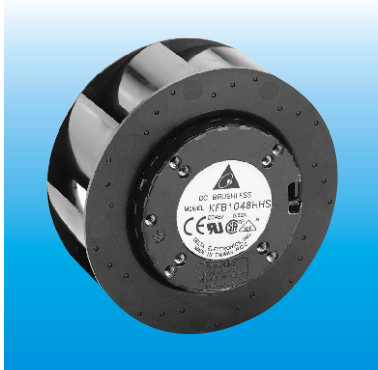
UNIT: $\frac{\text{mm}}{\text{INCH}}$

MODEL		Rated Voltage	Operating Voltage Range	Rated Current	Rated Input Power	Speed	Maximum Air Flow		Maximum Air Pressure		Noise
PART NO.	FUNCTION	VDC	VDC	Amp	Watt	R.P.M.	m ³ /min	CFM	mmH ₂ O	IN H ₂ O	dB-A
KFB03205HA	/ -F00	5	4.0 to 6.0	0.24	1.20	5000	0.114	4.00	3.76	0.148	26.5

- * Function type is optional.
- * The max. air flow and the speed are measured in free air ; max. air pressure is measured at zero air flow.
- * Noise is measured in anechoic chamber in free air, one meter from intake side.
- * All readings are typical values at rated voltage.
- * Specifications are subject to change without notice.
- * The air flow and noise level of fans without external housing depends on the installation condition. The stated air flow and static pressure has been measured with an orifice 32.6 mm \varnothing at a distance of approx. 1 mm from the mounting bracket.

KFB Ø100 x 55 MM SERIES

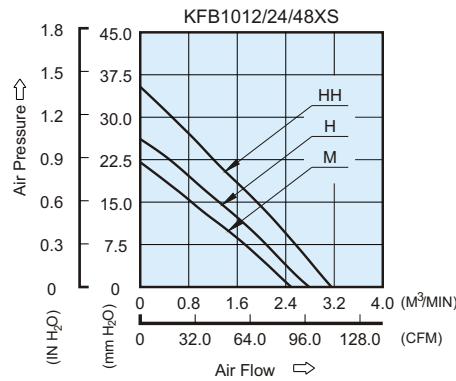
DIMENSIONS DRAWING



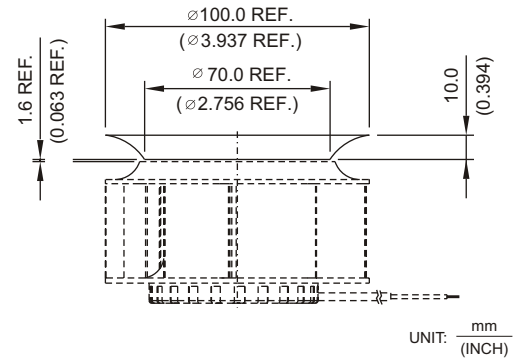
UNIT: $\frac{\text{mm}}{\text{(INCH)}}$

- * Bearing Type
Ball Bearings
- * Material
Impeller : Plastic (UL 94V-0)
Pillow : Die-Cast Aluminum
- * Lead Wires :
UL 1007 AWG #24 OR Equivalent
Red Wire Positive (+)
Black Wire Negative (-)
- * Weight : 485g (17.11 oz)

P & Q CURVE (AT RATED VOLTAGE)



MOUNTING PANEL CUTOUT



UNIT: $\frac{\text{mm}}{\text{(INCH)}}$

MODEL		Rated Voltage	Operating Voltage Range	Rated Current	Rated Input Power	Speed	Maximum Air Flow		Maximum Air Pressure		Noise
PART NO.	FUNCTION	VDC	VDC	Amp	Watt	R.P.M.	m ³ /min	CFM	mmH ₂ O	IN H ₂ O	dB-A
KFB1012MS	-R00 / -F00	12	8.0 to 13.2	0.88	10.56	4500	2.550	90.04	22.05	0.868	56.4
KFB1024MS	-R00 / -F00	24	14.0 to 26.4	0.45	10.80						
KFB1048MS	-R00 / -F00	48	32.0 to 56.0	0.23	11.04						
KFB1012HS	-R00 / -F00	12	8.0 to 13.2	1.45	17.40	5100	2.846	100.50	27.20	1.071	59.0
KFB1024HS	-R00 / -F00	24	14.0 to 26.4	0.72	17.28						
KFB1048HS	-R00 / -F00	48	32.0 to 56.0	0.35	16.80						
KFB1012HHS	-R00 / -F00	12	8.0 to 13.2	1.85	22.20	5700	3.160	111.60	35.38	1.393	62.0
KFB1024HHS	-R00 / -F00	24	14.0 to 26.4	0.87	20.88						
KFB1048HHS	-R00 / -F00	48	32.0 to 53.0	0.43	20.64						

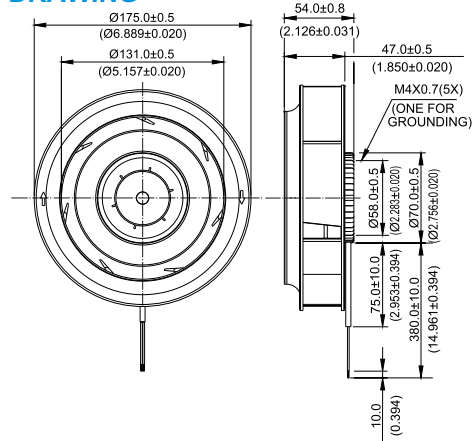
* Function type is optional.
 * The max. air flow and the speed are measured in free air ; max. air pressure is measured at zero air flow.
 * Noise is measured in anechoic chamber in free air, one meter from intake side.
 * All readings are typical values at rated voltage.
 * Specifications are subject to change without notice.

New



KFB Ø 175 x 54 MM SERIES

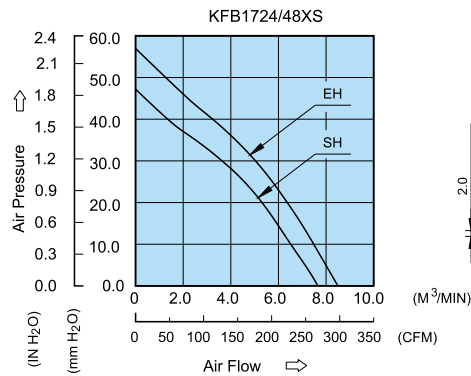
DIMENSIONS DRAWING



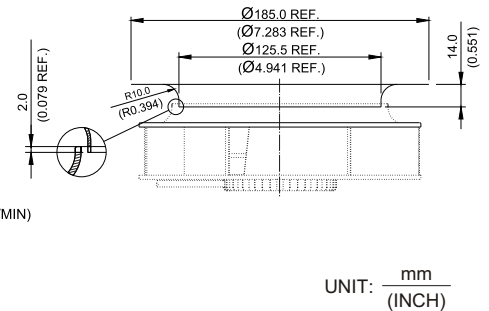
UNIT: $\frac{\text{mm}}{\text{(INCH)}}$

- * Bearing Type
Ball Bearings
- * Material
- * Impeller : Plastic (UL 94V-0)
- * Pillow : Die-Cast Aluminum
- * Lead Wires :
UL 1430AWG #22 OR Equivalent
Red Wire Positive (+)
- * Black Wire Negative (-)
- Weight : 620g (21.87 oz)

P & Q CURVE (AT RATED VOLTAGE)



MOUNTING PANEL CUTOUT



UNIT: $\frac{\text{mm}}{\text{(INCH)}}$

MODEL		Rated Voltage	Operating Voltage Range	Rated Current	Rated Input Power	Speed	Maximum Air Flow		Maximum Air Pressure		Noise
PART NO.	FUNCTION	VDC	VDC	Amp	Watt	R.P.M.	m ³ /min	CFM	mmH ₂ O	IN H ₂ O	dB-A
KFB1724SHS	-R00 / -F00	24	14.0 to 30.0	1.65	39.60	3800	7.584	267.84	47.21	1.859	71.0
KFB1748SHS	-R00 / -F00	48	28.0 to 60.0	0.80	38.40						
KFB1724EHS	-R00 / -F00	24	14.0 to 30.0	2.30	55.20	4200	8.421	297.39	56.96	2.361	73.5
KFB1748EHS	-R00 / -F00	48	28.0 to 60.0	1.15	55.20						

* Function type is optional.
 * The max. air flow and the speed are measured in free air ; max. air pressure is measured at zero air flow.
 * Noise is measured in anechoic chamber in free air, one meter from intake side.
 * All readings are typical values at rated voltage.
 * Specifications are subject to change without notice.

