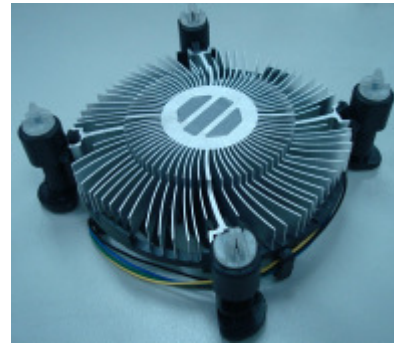


## Application:

Intel Nehalem LGA1156 (45nm) & Intel Sandy Bridge LGA1155 (32nm)

## Picture:



## Thermal & Mechanical Spec

Thermal performance for 45 W CPU  
 HSK Assembly Weight: 120 g (ref.)  
 Clipping Force: 16 Kgf (ref.)

## Component Specification:

1. Heat Sink  
 Type: Thermal Shrink  
 Material: Aluminum A6063  
 Dimension: 90\*90\*30 mm
2. Thermal interface material  
 Material: Dow Corning TC-1996 or Equivalent.
3. Fan

*(90x90x17 mm with Thermistor & PWM Control)*

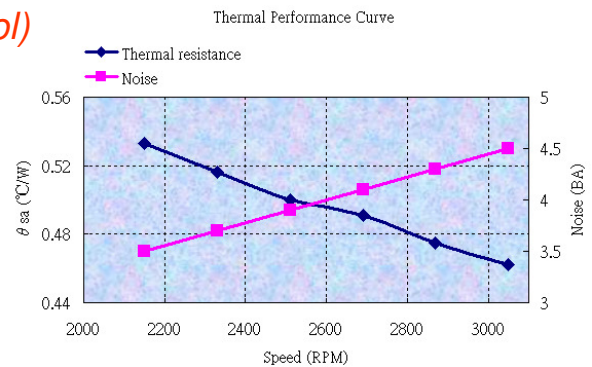
Rated Voltage: 12 V

Life Time:

Superflo bearing 50000 hrs

Connector:

- a. Lead wire: UL 10368 -F- AWG#28
  - pin 1: black wire-----(-)
  - pin 2: yellow wire-----(+)
  - pin 3: green wire----- (F00)
  - pin 4: blue wire----- (PWM)
- b. Housing: Molex 47054-1000 or equivalent
- c. Terminal: Molex 2759T 08-50-0113 or equivalent



- \* All readings are typical values at rated voltage.
- \* Specifications are subject to change without notice



## APPROVAL SHEET

Customer Name : \_\_\_\_\_

Model Name : COOLER

Model Name : FHS-A9015S00

Customer Part No : \_\_\_\_\_

Spec Issue Date : 2011/11/25

Spec Revision : 00

PLEASE SEND ONE COPY OF THIS SPECIFICATION BACK AFTER YOU  
SIGNED APPROVAL FOR PRODUCTION PRE-ARRANGMENT.

Approved By: \_\_\_\_\_

Date: \_\_\_\_\_

| Approval  | Check         | Designer |
|-----------|---------------|----------|
| Alex-Hsia | Charles. Chen | REEK.LI  |



**Delta Electronics Corp.**

# **CONTENTS**

| <b>Item</b> | <b>Element Description</b> | <b>Page</b> | <b>Note</b> |
|-------------|----------------------------|-------------|-------------|
| 1           | Specification              | 5           |             |
| 2           | Print                      | 6           |             |
| 3           | Packing Plan               | 14          |             |
| 4           | Fan                        | 17          |             |
| 5           |                            |             |             |
| 6           |                            |             |             |
| 7           |                            |             |             |
| 8           |                            |             |             |
| 9           |                            |             |             |



# Delta Electronics Corp.

| REV.                                      | Description | Drawn                         | Checked                            | Approved                        | Issue Date |
|---|-------------|-------------------------------|------------------------------------|---------------------------------|------------|
| 00  | ISSUE SPEC  | REEK.LI <sub>2011/11/25</sub> | Charles Chen <sub>2011/11/25</sub> | Alex-Hsia <sub>2011/11/25</sub> | 2011/11/25 |
| Description:<br>SAMPLE REVISION CODE LIST |             |                               |                                    |                                 |            |
| Part No.                                  |             |                               |                                    |                                 | REV        |
| DELTA MODEL :<br>FHS-A9015S00             |             |                               | TOTAL <u>27</u> PAGE               |                                 | 00         |



# Delta Electronics Corp.

## 1. SPECIFICATION

### Characters

| Item                  | Description  |
|-----------------------|--|
| Scope                 | THIS SPECIFICATION DEFINES THE ELECTRICAL AND MECHANICAL CHARACTERISTICS OF THE HEATSINK |
| Application           | INTEL CPU COOLER   |
| Specification         |  |
| a: thermal Resistance | 0.52 (°C/W) (REF.)   |
| b: total weight       | 120 g (REF.)   |
| c: clip force         | 16 kgf (REF.)  |

### BOM

| Item | Part Name     | Material    | Part NO.   | Q'TY  | Remark |
|------|---------------|-------------|------------|-------|--------|
| 1    | Heatsink      | A6063-T5    | 3346771500 | 1 pce |        |
| 2    | FASTENER CAP  | PC          | 3470415400 | 4 pce |        |
| 3    | FASTENER BASE | PC          | 3470415500 | 4 pce |        |
| 4    | LABEL         | PE          | 3267128700 | 1 pce |        |
| 5    | FAN           | PBT         | 3622920411 | 1 pce |        |
| 6    | TIM           | DOW TC-1996 | 4021101500 | 0.15g |        |
|      |               |             |            |       |        |
|      |               |             |            |       |        |
|      |               |             |            |       |        |
|      |               |             |            |       |        |
|      |               |             |            |       |        |
|      |               |             |            |       |        |
|      |               |             |            |       |        |
|      |               |             |            |       |        |
|      |               |             |            |       |        |
|      |               |             |            |       |        |
|      |               |             |            |       |        |
|      |               |             |            |       |        |
|      |               |             |            |       |        |
|      |               |             |            |       |        |
|      |               |             |            |       |        |
|      |               |             |            |       |        |
|      |               |             |            |       |        |
|      |               |             |            |       |        |
|      |               |             |            |       |        |
|      |               |             |            |       |        |

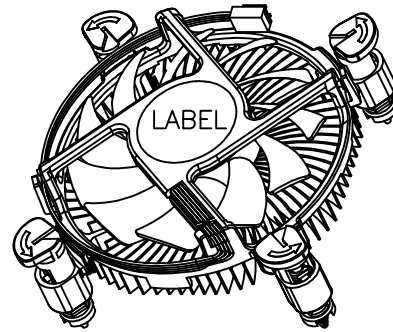
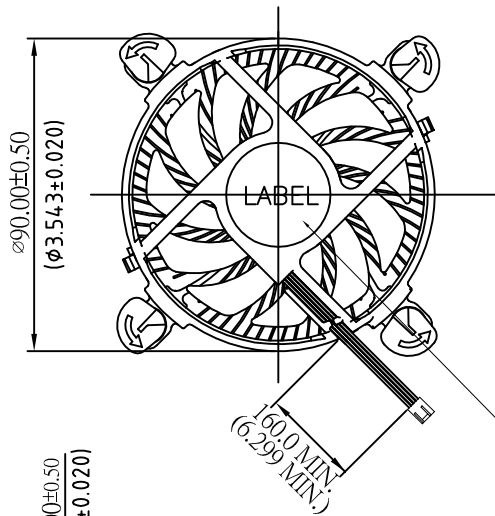


**Delta Electronics Corp.**

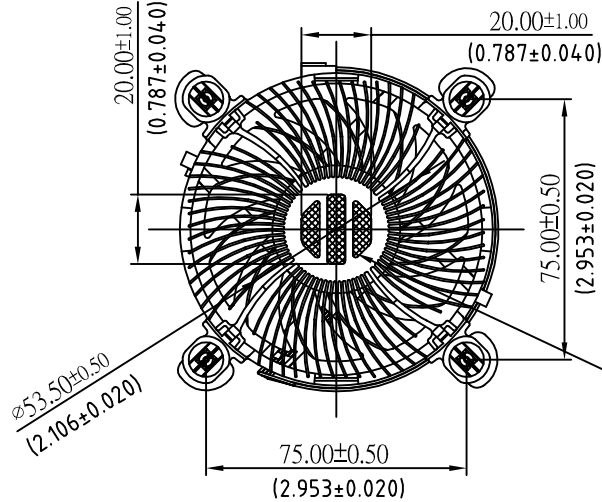
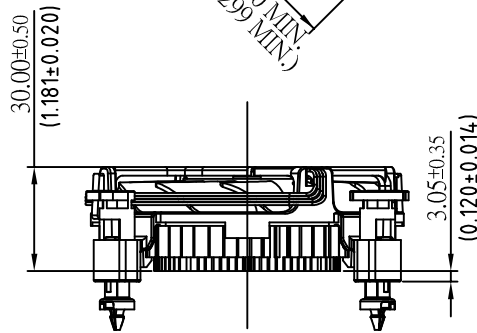
## **2. PRINT**

**Assembly Drawing**

DRAWING:



FAN LABEL P/N:3267128700



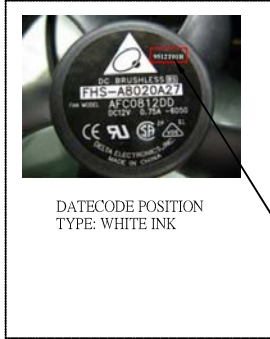
Dow Corning TC-1996 P/N:4021101500

\*STENCIL THICKNESS=0.18(TYP.) 0.20(MAX.)  
TIM WEIGHT ON HSK MUST BE 140mg+/-30mg

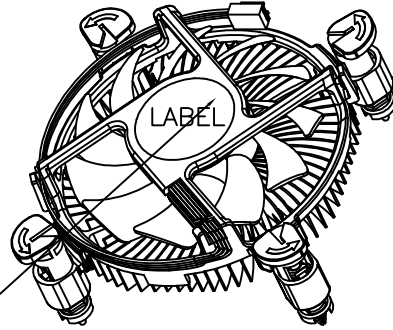
UNIT:  $\frac{\text{mm}}{\text{(INCH)}}$

\*NOTE: PLEASE ATTENTION FAN LABEL ORIENTATION.

|   |   |                                    |
|---|---|------------------------------------|
| <b>台達電子工業股份有限公司</b><br><b>DELTA ELECTRONICS, INC.</b>   | DELTA MODEL:<br><b>FHS-A9015S00</b>                             | Drawn:<br><b>REEK.LI 11/24'11</b>  |
|   | CUSTOMER NAME:<br><b>STD</b>                                    | CUSTOMER P/N:<br><b>---</b>        |
| THESE DRAWINGS AND SPECIFICATIONS ARE THE PROPERTY OF DELTA ELECTRONICS, INC. AND SHALL NOT BE REPRODUCED OR USED AS THE BASIS FOR THE MANUFACTURE OR SELL OF APPARATUS OR DEVICES WITHOUT PERMISSION.  | Description:<br><b>PRODUCTION SPEC.</b><br>(PHYSICAL DIMENSION) | Part No.<br><b>FHS-A9015S00-PD</b> |
| DIMENSIONAL TOLERANCES<br>( ) ( ) ( )<br><30 ±0.25 DECIMALS UP-100 ±0.2 250-300 ±0.4 UP-600 ±1.5<br>>30-100 ±0.35 X ±0.3 100-150 ±0.25 300-350 ±0.45 600-900 ±2.4<br>>100-300 ±0.5 X.X ±0.2 150-200 ±0.3 350-400 ±0.5 900-OVER ±3.1<br>ABOVE 300 ±0.6 X.XX ±0.1 200-250 ±0.35 | THIRD ANGLE PROJECTION<br>                                      | REV.<br><b>00</b>                  |
| SCALE --- UNIT mm USED ON COOLER  | SIZE A4 SHEET 1 OF 2 ISSUE DATE:                                |                                    |



DATECODE POSITION  
TYPE: WHITE INK




DATECODE POSITION

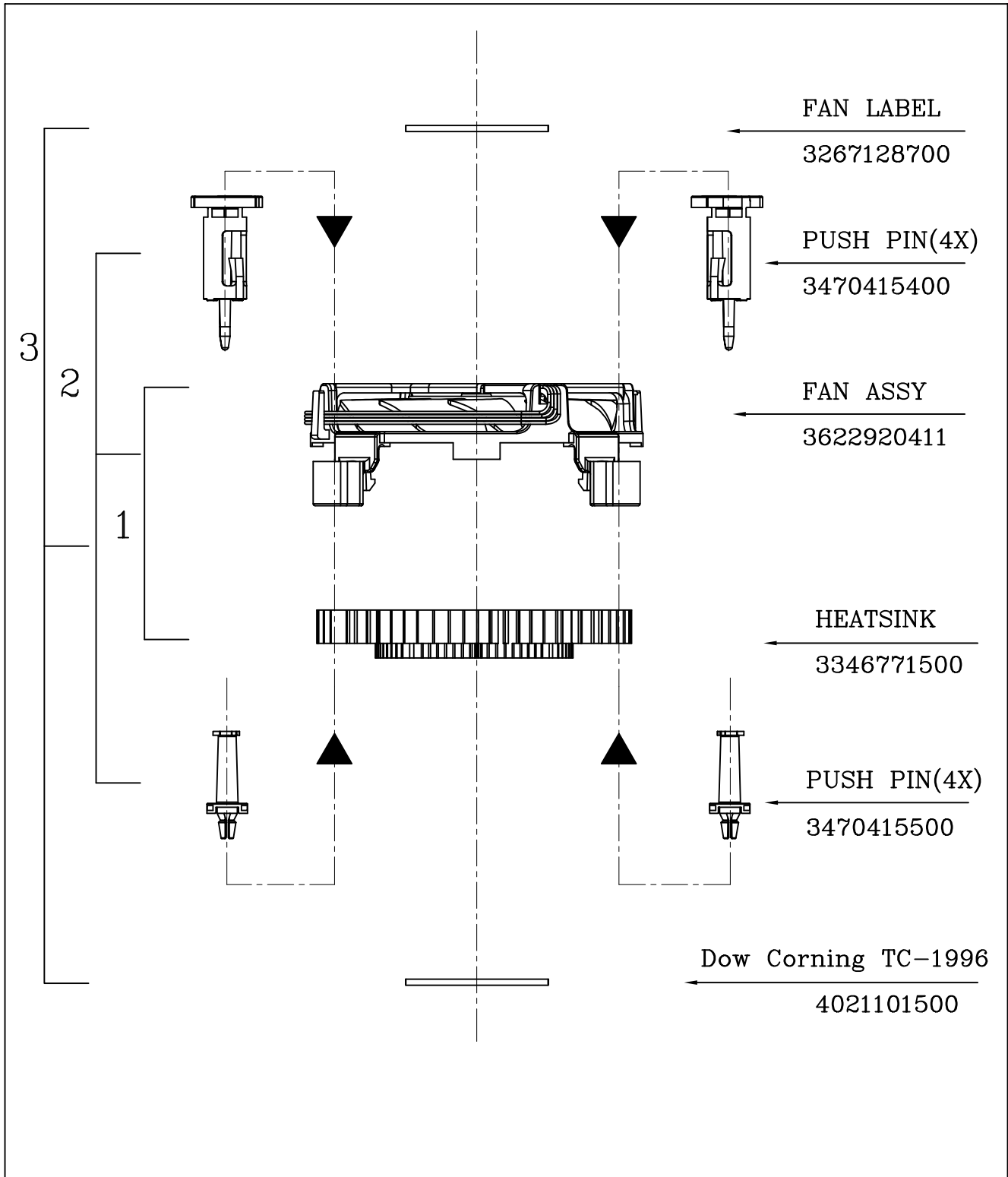
NOTE:

1. DATECODE ON FAN LABEL.
2. PLEASE REFER TO CP10S-00345 WHILE PRINTING DATECODE.

UNIT:  $\frac{\text{mm}}{\text{(INCH)}}$

|   |  |                                   |          |         |         |         |        |          |      |         |       |   |      |         |       |         |       |         |      |          |      |    |      |         |      |         |      |          |      |           |      |     |      |         |       |  |  |  |  |  |                                 |
|---|--|-----------------------------------|----------|---------|---------|---------|--------|----------|------|---------|-------|---|------|---------|-------|---------|-------|---------|------|----------|------|----|------|---------|------|---------|------|----------|------|-----------|------|-----|------|---------|-------|--|--|--|--|--|---------------------------------|
|  <b>台達電子工業股份有限公司</b><br><b>DELTA ELECTRONICS, INC.</b>   | DELTA MODEL:<br><b>FHS-A9015S00</b>  | Drawn:<br><b>REEK.LI 11/24'11</b> |          |         |         |         |        |          |      |         |       |   |      |         |       |         |       |         |      |          |      |    |      |         |      |         |      |          |      |           |      |     |      |         |       |  |  |  |  |  |                                 |
|   | THESE DRAWINGS AND SPECIFICATIONS ARE THE PROPERTY OF DELTA ELECTRONICS, INC. AND SHALL NOT BE REPRODUCED OR USED AS THE BASIS FOR THE MANUFACTURE OR SELL OF APPARATUSES OR DEVICES WITHOUT PERMISSION. |                                   |          |         |         |         |        |          |      |         |       |   |      |         |       |         |       |         |      |          |      |    |      |         |      |         |      |          |      |           |      |     |      |         |       |  |  |  |  |  |                                 |
| DIMENSIONAL TOLERANCES<br>( ) ( ) ( ) HOLES : ±0.05 ANGLES : ±0.5<br><table border="0"> <tr> <td>&lt;30</td><td>±0.25</td><td>DECIMALS</td><td>UP-100</td><td>±0.2</td><td>250-300</td><td>±0.4</td><td>UP-600</td><td>±1.5</td> </tr> <tr> <td>&gt;30-100</td><td>±0.35</td><td>X</td><td>±0.3</td><td>100-150</td><td>±0.25</td><td>300-350</td><td>±0.45</td><td>600-900</td><td>±2.4</td> </tr> <tr> <td>&gt;100-300</td><td>±0.5</td><td>XX</td><td>±0.2</td><td>150-200</td><td>±0.3</td><td>350-400</td><td>±0.5</td><td>900-OVER</td><td>±3.1</td> </tr> <tr> <td>ABOVE 300</td><td>±0.6</td><td>XXX</td><td>±0.1</td><td>200-250</td><td>±0.35</td><td></td><td></td><td></td><td></td> </tr> </table> | <30  | ±0.25                             | DECIMALS | UP-100  | ±0.2    | 250-300 | ±0.4   | UP-600   | ±1.5 | >30-100 | ±0.35 | X | ±0.3 | 100-150 | ±0.25 | 300-350 | ±0.45 | 600-900 | ±2.4 | >100-300 | ±0.5 | XX | ±0.2 | 150-200 | ±0.3 | 350-400 | ±0.5 | 900-OVER | ±3.1 | ABOVE 300 | ±0.6 | XXX | ±0.1 | 200-250 | ±0.35 |  |  |  |  | Description: <b>PRODUCTION SPEC.</b><br>(PHYSICAL DIMENSION) | Part No. <b>FHS-A9015S00-PD</b> |
| <30   | ±0.25  | DECIMALS                          | UP-100   | ±0.2    | 250-300 | ±0.4    | UP-600 | ±1.5     |      |         |       |   |      |         |       |         |       |         |      |          |      |    |      |         |      |         |      |          |      |           |      |     |      |         |       |  |  |  |  |  |                                 |
| >30-100   | ±0.35  | X                                 | ±0.3     | 100-150 | ±0.25   | 300-350 | ±0.45  | 600-900  | ±2.4 |         |       |   |      |         |       |         |       |         |      |          |      |    |      |         |      |         |      |          |      |           |      |     |      |         |       |  |  |  |  |  |                                 |
| >100-300  | ±0.5   | XX                                | ±0.2     | 150-200 | ±0.3    | 350-400 | ±0.5   | 900-OVER | ±3.1 |         |       |   |      |         |       |         |       |         |      |          |      |    |      |         |      |         |      |          |      |           |      |     |      |         |       |  |  |  |  |  |                                 |
| ABOVE 300   | ±0.6   | XXX                               | ±0.1     | 200-250 | ±0.35   |         |        |          |      |         |       |   |      |         |       |         |       |         |      |          |      |    |      |         |      |         |      |          |      |           |      |     |      |         |       |  |  |  |  |  |                                 |
| SCALE --- UNIT <b>mm</b> USED ON <b>COOLER</b>  | Description: <b>PRODUCTION SPEC.</b><br>(PHYSICAL DIMENSION)   | Part No. <b>FHS-A9015S00-PD</b>   |          |         |         |         |        |          |      |         |       |   |      |         |       |         |       |         |      |          |      |    |      |         |      |         |      |          |      |           |      |     |      |         |       |  |  |  |  |  |                                 |
| SIZE <b>A4</b>  | SHEET <b>2</b> OF <b>2</b>   | ISSUE DATE:                       |          |         |         |         |        |          |      |         |       |   |      |         |       |         |       |         |      |          |      |    |      |         |      |         |      |          |      |           |      |     |      |         |       |  |  |  |  |  |                                 |
|   |  | REV. <b>00</b>                    |          |         |         |         |        |          |      |         |       |   |      |         |       |         |       |         |      |          |      |    |      |         |      |         |      |          |      |           |      |     |      |         |       |  |  |  |  |  |                                 |



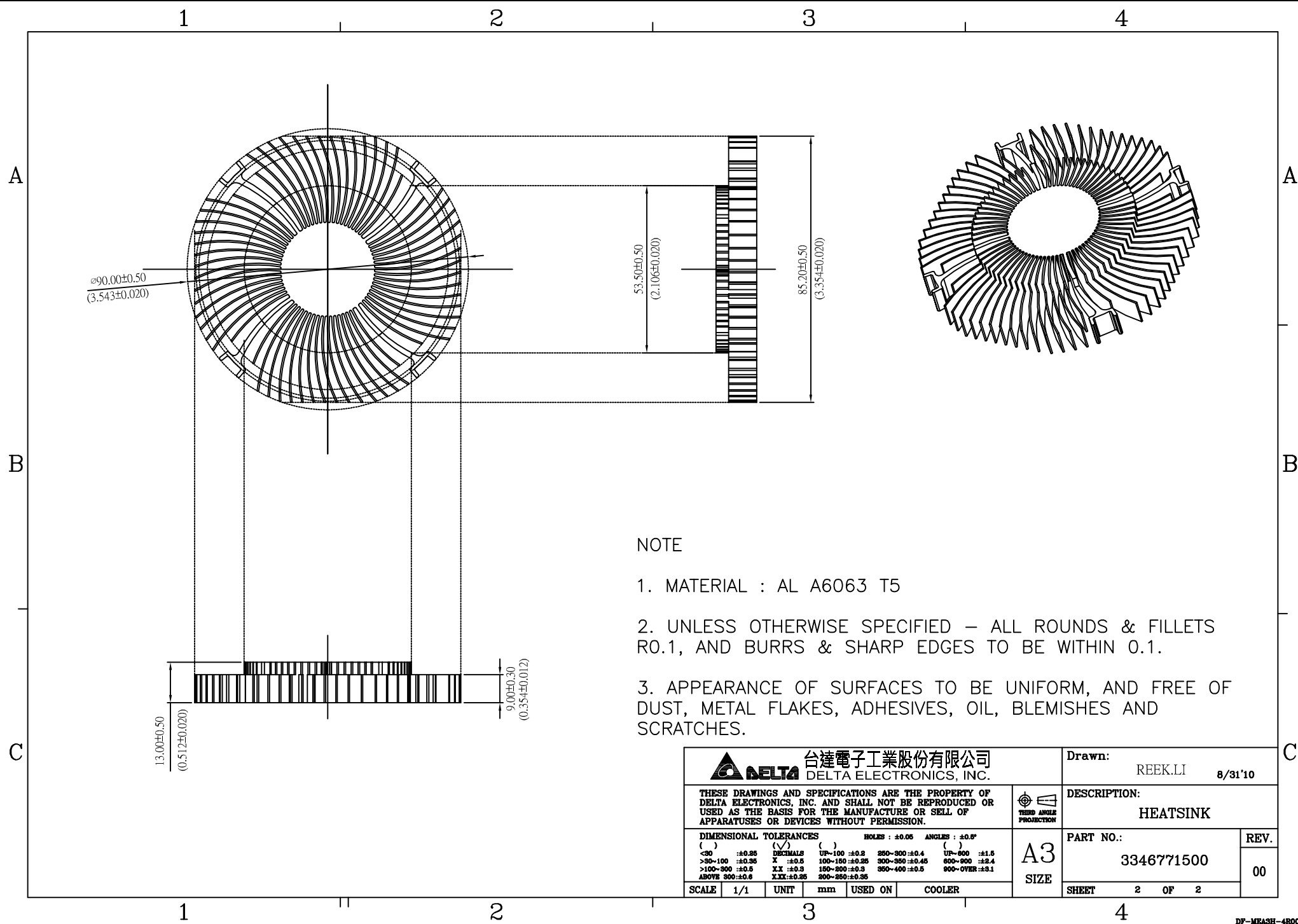


|  |  |                                    |
|--|--|------------------------------------|
| <b>台達電子工業股份有限公司</b><br><b>DELTA ELECTRONICS, INC.</b>  | DELTA MODEL:<br><b>FHS-A9015S00</b>                          | Drawn:<br><b>李鈞慶 11/24'11</b>      |
|  | CUSTOMER NAME:<br><b>STD</b>                                 | CUSTOMER P/N:<br><b>---</b>        |
| THESE DRAWINGS AND SPECIFICATIONS ARE THE PROPERTY OF DELTA ELECTRONICS, INC. AND SHALL NOT BE REPRODUCED OR USED AS THE BASIS FOR THE MANUFACTURE OR SELL OF APPARATUS OR DEVICES WITHOUT PERMISSION.   | Description:<br><b>PRODUCTION SPEC.<br/>(ASSEMBLY ORDER)</b> | Part No.<br><b>FHS-A9015S00-AS</b> |
| DIMENSIONAL TOLERANCES<br>( ) ( ) ( ) HOLES : ±0.05 ANGLES : ±0.5<br><30 ±0.25 DECIMALS UP-100 ±0.2 250-300 ±0.4 UP-600 ±1.5<br>>30-100 ±0.35 X ±0.3 100-150 ±0.25 300-350 ±0.45 600-900 ±2.4<br>>100-300 ±0.5 XX ±0.2 150-200 ±0.3 350-400 ±0.5 900-OVER ±3.1<br>ABOVE 300 ±0.6 X.XX ±0.1 200-250 ±0.35 | THIRD ANGLE PROJECTION                                       | REV.<br><b>00</b>                  |
| SCALE --- UNIT <b>mm</b> USED ON <b>COOLER</b>   | SIZE <b>A4</b>   | SHEET 1 OF 1 ISSUE DATE:           |



# **Delta Electronics Corp.**

## **Parts Drawing**



NOTE

1. MATERIAL : AL A6063 T5
2. UNLESS OTHERWISE SPECIFIED – ALL ROUNDS & FILLETS R0.1, AND BURRS & SHARP EDGES TO BE WITHIN 0.1.
3. APPEARANCE OF SURFACES TO BE UNIFORM, AND FREE OF DUST, METAL FLAKES, ADHESIVES, OIL, BLEMISHES AND SCRATCHES.

|  |        |                                 |    |
|--|--------|---------------------------------|----|
| 台達電子工業股份有限公司<br>DELTA ELECTRONICS, INC.  |        | Drawn: REEK.LI 8/31'10          |    |
| THESE DRAWINGS AND SPECIFICATIONS ARE THE PROPERTY OF DELTA ELECTRONICS, INC. AND SHALL NOT BE REPRODUCED OR USED AS THE BASIS FOR THE MANUFACTURE OR SELL OF APPARATUS OR DEVICES WITHOUT PERMISSION.   |        | DESCRIPTION:<br>HEATSINK        |    |
| DIMENSIONAL TOLERANCES<br>( ) : ±0.25 (✓) : ±0.5 ( ) : ±0.5 ( ) : ±1.5<br><30 : ±0.25 X : ±0.5 100-150 : ±0.25 200-300 : ±0.45 400-500 : ±0.4<br>>30-100 : ±0.25 XX : ±0.3 150-200 : ±0.3 350-400 : ±0.5 500-OVER : ±0.1<br>ABOVE 300 : ±0.6 XXX : ±0.25 300-350 : ±0.35 |        | PART NO.: 3346771500<br>REV. 00 |    |
| SCALE  | 1/1    | UNIT                            | mm |
| USED ON  | COOLER |                                 |    |
| A3 SIZE  |        | SHEET 2 OF 2                    |    |

1

2

3

4

A

A

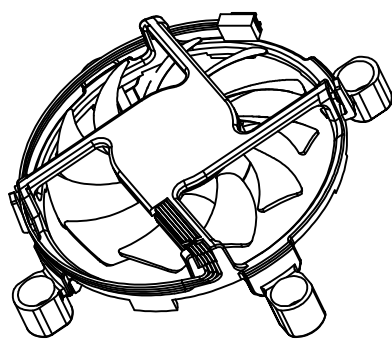
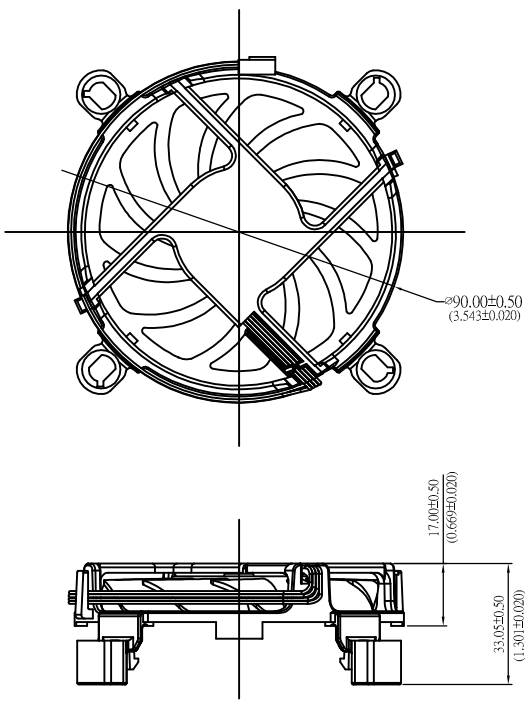
B


B

C

C

| FAN SPECIFICATION     |                                       |
|-----------------------|---------------------------------------|
| FAN TYPE              | LINEARLY VARIABLE, DC BRUSHLESS MOTOR |
| OPERATING VOLTAGE     | 13.2V MAX, 12V RATED, 10.8V MIN       |
| CURRENT               | AVERAGE : 0.15A                       |
|                       | MAXIMUM : 0.46A                       |
|                       | STARTING : 0.73A                      |
| SPEED AT STEADY STATE | 3100 RPM ± 10%                        |
| OPERATING TEMPERATURE | 0°C TO +70°C                          |
| OPERATING HUMIDITY    | 85% RELATIVE HUMIDITY @ 55°C          |
| PROTECTION            | LOCKED ROTOR, POLARITY                |
| BEARING TYPE          | SUPERFLO BEARING                      |



|  |         |                                |
|--|---------|--------------------------------|
|  <b>台達電子工業股份有限公司</b><br><b>DELTA ELECTRONICS, INC.</b>  |         | Drawn: REEK.LI 10/27/09        |
| THESE DRAWINGS AND SPECIFICATIONS ARE THE PROPERTY OF DELTA ELECTRONICS, INC. AND SHALL NOT BE REPRODUCED OR USED AS THE BASIS FOR THE MANUFACTURE OR SELL OF APPARATUS OR DEVICES WITHOUT PERMISSION.   |         | DESCRIPTION:<br><b>FAN</b>     |
| <b>DIMENSIONAL TOLERANCES</b><br>( ) : ±0.25    ( ) : ±0.5    ( ) : ±0.5<br><math>< 30</math> : ±0.25    DECIMALS    UP-100 : ±0.2    250-300 : ±0.4    UP-300 : ±1.5<br>>30-100 : ±0.25    X : ±0.5    100-150 : ±0.25    300-350 : ±0.45    500-900 : ±2.4<br>>100-300 : ±0.5    XX : ±0.2    150-200 : ±0.3    350-400 : ±0.5    900-OVER : ±3.1<br>ABOVE 300 : ±0.6    XXX : ±0.1    300-250 : ±0.35 |         | PART NO.:<br><b>3622920411</b> |
| SCALE 1/1    UNIT mm    USED ON COOLER   | A4 SIZE | REV. --<br>SHEET 1 OF 1        |

1

2

3

4

1

2

3

4

A

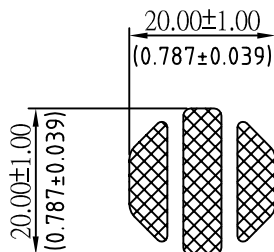
A

B


B

C

C



- NOTES: 1. THICKNESS: 0.18mm  
 2. VENDOR P/N: DOW CORNING TC-1996  
 3. COLOR: GRAY.  
 4. THERMAL CONDUCTIVITY: 4.1 W/m-°C  
 5. THERMAL CONTACT RESISTANCE: 0.06 °C-cm<sup>2</sup>/W @40psi  
 6. GROSS WEIGHT: 140±30 mg  
 7. VENDOR : DOW CORNING  
 8. MUST MEET DELTA'S SPEC : 10000-0162

|   |         |  |
|---|---------|--|
|  <b>台達電子工業股份有限公司</b><br>DELTA ELECTRONICS, INC.  |         | Drawn: REEK.LI 10/27/09                  |
| THESE DRAWINGS AND SPECIFICATIONS ARE THE PROPERTY OF DELTA ELECTRONICS, INC. AND SHALL NOT BE REPRODUCED OR USED AS THE BASIS FOR THE MANUFACTURE OR SELL OF APPARATUS OR DEVICES WITHOUT PERMISSION.  |         | DESCRIPTION:<br><b>THERMAL INTERFACE</b> |
| DIMENSIONAL TOLERANCES<br>( ) :±0.25    (✓) :±0.5    ( ) :±0.5<br><30 :±0.25    DECIMALS    UP-100 :±0.2    250-300 :±0.4    UP-500 :±1.5<br>>30-100 :±0.25    X :±0.5    100-150 :±0.25    300-350 :±0.45    500-900 :±2.4<br>>100-300 :±0.5    XX :±0.2    150-200 :±0.3    350-400 :±0.5    900-OVER :±3.1<br>ABOVE 300 :±0.6    XXX :±0.1    300-250 :±0.35 |         | PART NO.:<br><b>4021101500</b>           |
| SCALE 1/1    UNIT mm    USED ON COOLER  | A4 SIZE | REV. --<br>SHEET 1 OF 1                  |

1

2

3

4



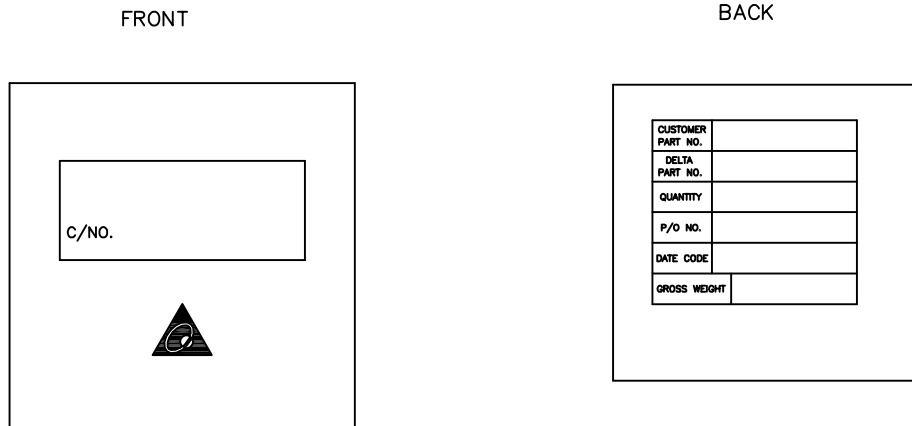
**Delta Electronics Corp.**

### **3. PACKING PLAN**

#### **Packing Specification**

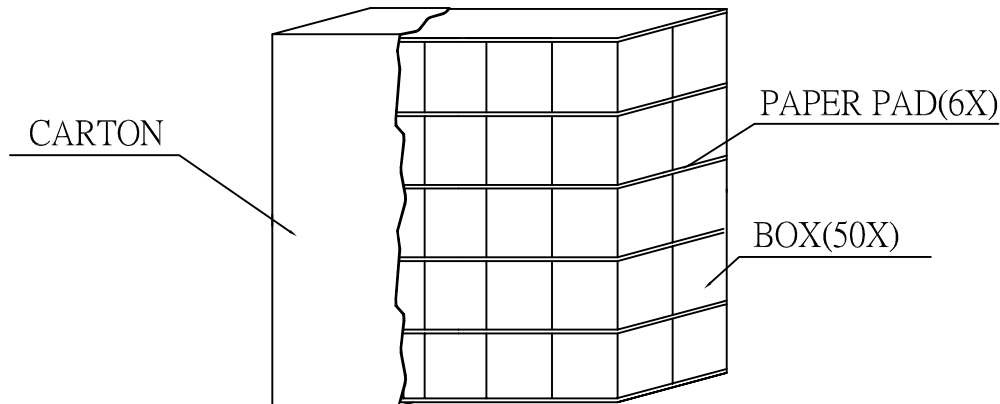
|                   |          |                          |                  |                |
|-------------------|----------|--------------------------|------------------|----------------|
| CARTON ILLUSTRATE | SIZE     | 530(L)*230(w)*315(H)(mm) | PACKING QUANTITY | 5LAYERS/CARTON |
|                   | MATERIAL | 3 LAYERS"AB" FLUTE       | CARTON WEIGHT    | 0.62 kg (REF.) |



CARTON OUTSIDE ILLUSTRATE



(ONE LABEL PER CARTON)

|                             |                 |                       |                  |               |
|-----------------------------|-----------------|-----------------------|------------------|---------------|
| PET TRAY PACKING ILLUSTRATE | SIZE            | 94(L)*94(w)*30(H)(mm) | PACKING QUANTITY | 1PCS/PET TRAY |
|                             | MATERIAL        | PET TRAY              |                  |               |
|                             | MATERIAL WEIGHT | 6g (REF.)             |                  |               |

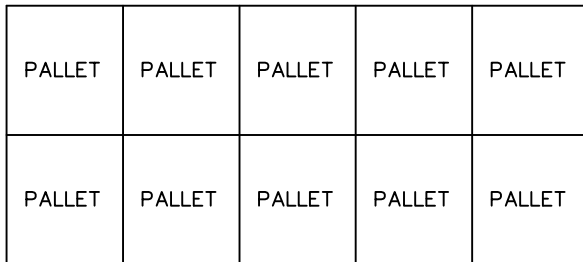


|  |  |                  |      |
|--|--|------------------|------|
|  <b>台達電子工業股份有限公司</b><br>DELTA ELECTRONICS, INC.   | DELTA MODEL:   | Drawn:           |      |
|  | FHS-A9015S00   | REEK.LI 11/25/11 |      |
| THESE DRAWINGS AND SPECIFICATIONS ARE THE PROPERTY OF DELTA ELECTRONICS, INC. AND SHALL NOT BE REPRODUCED OR USED AS THE BASIS FOR THE MANUFACTURE OR SELL OF APPARATUSES OR DEVICES WITHOUT PERMISSION.   | CUSTOMER NAME:   | STD              |      |
|  | CUSTOMER P/N:  | ---              |      |
| <b>DIMENSIONAL TOLERANCES</b><br>( ) ( ) ( ) HOLES : ±0.05 ANGLES : ±0.5°<br><30 :±0.25 DECIMALS UP~100 :±0.2 250~300 :±0.4 UP~800 :±1.5<br>>30~100 :±0.35 X :±0.3 100~150 :±0.25 300~350 :±0.45 600~900 :±2.4<br>>100~300 :±0.5 XX :±0.2 150~200 :±0.3 350~400 :±0.5 900~OVER :±3.1<br>ABOVE 300 :±0.6 XXX :±0.1 200~250 :±0.35 |  Description: PRODUCTION SPEC.<br>(PACKING ASSMBLY) | Part No.         |      |
| SCALE --- UNIT mm USED ON COOLER   | A4 SIZE  | FHS-A9015S00-PA  | REV. |
|  |  | SHEET 1 OF 2     | ---  |
|  |  | ISSUE DATE:      |      |

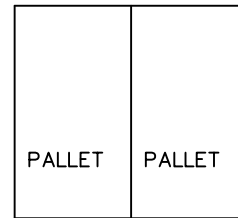
|                            |                         |                                      |  |                     |
|----------------------------|-------------------------|--------------------------------------|--|---------------------|
| PART NO.                   | FHS-A9015S00            |                                      |  |                     |
| BASIC DATA                 | QUANTITY /CARTON        | 50PCS (5 LAYERS/CARTON, 10PCS/LAYER) |  |                     |
|                            | PRODUCTION NET WEIGHT   | 7.8kg (REF.)                         |  |                     |
|                            | PRODUCTION GROSS WEIGHT | 9.8kg (REF.)                         |  |                     |
| 20(ft)CONTAINER ILLUSTRATE | SIZE                    | 5.889(L)*2.352(w)*2.386(H)m          |  | PACKING QUANTITY    |
|                            | CONTAINER               | STEEL                                |  | 10PALLETS/CONTAINER |

CONTAINER FORM

CONTAINER LOADING MATHOD



TOP VIEW

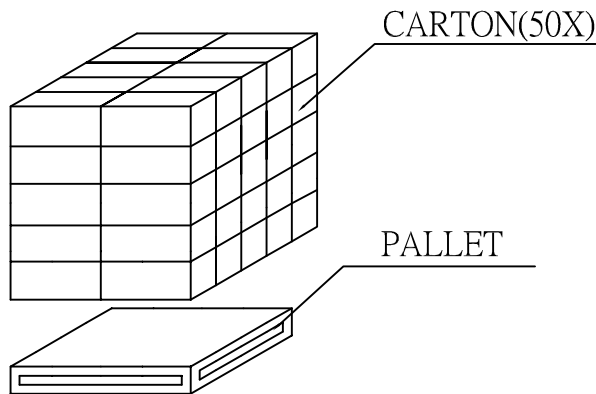




FRONT VIEW

|                           |        |                       |                  |                   |
|---------------------------|--------|-----------------------|------------------|-------------------|
| PALLET LOADING ILLUSTRATE | SIZE   | 117(L)*107(w)*13(H)cm | PACKING QUANTITY | 50 CARTONS/PALLET |
|                           | PALLET | WOOD                  |                  |                   |

PALLET ILLUSTRATE

PALLET LOADING MATHOD



|   |  |                |                 |        |                  |     |
|---|--|----------------|-----------------|--------|------------------|-----|
|  <b>台達電子工業股份有限公司</b><br>DELTA ELECTRONICS, INC.  | DELTA MODEL:   | FHS-A9015S00   |                 | Drawn: | REEK.LI 11/25/11 |     |
|   | THESE DRAWINGS AND SPECIFICATIONS ARE THE PROPERTY OF DELTA ELECTRONICS, INC. AND SHALL NOT BE REPRODUCED OR USED AS THE BASIS FOR THE MANUFACTURE OR SELL OF APPARATUSES OR DEVICES WITHOUT PERMISSION. | CUSTOMER NAME: | STD             |        |                  |     |
|   | CUSTOMER P/N:  | ---            |                 |        |                  |     |
| DIMENSIONAL TOLERANCES<br>( ) ( ) ( ) HOLES : ±0.05 ANGLES : ±0.5°<br><30 :±0.25 DECIMALS UP~100 :±0.2 250~300 :±0.4 UP~600 :±1.5<br>>30~100 :±0.35 X :±0.3 100~150 :±0.25 300~350 :±0.45 600~900 :±2.4<br>>100~300 :±0.5 XX :±0.2 150~200 :±0.3 350~400 :±0.5 900~OVER :±3.1<br>ABOVE 300 :±0.6 XXX :±0.1 200~250 :±0.35 | <br>Description: PRODUCTION SPEC.<br>(PACKING ASSMEBLY)   | Part No.       | FHS-A9015S00-PA |        | REV.             | --- |
| SCALE --- UNIT mm USED ON COOLER  | A4 SIZE  | SHEET 2 OF 2   | ISSUE DATE:     |        |                  |     |





**Delta Electronics Corp.**

**4. FAN**



## SPECIFICATION FOR APPROVAL

Customer TMPBU

Description DC FAN

Part No. \_\_\_\_\_ REV. \_\_\_\_\_

Delta Model No. AUC0912D-AF1F REV. 00

Sample Issue No. \_\_\_\_\_

Sample Issue Date SEP.15.2010

PLEASE SEND ONE COPY OF THIS SPECIFICATION  
BACK AFTER YOU SIGNED APPROVAL FOR  
PRODUCTION PRE-ARRANGMENT.

APPROVED BY: \_\_\_\_\_

DATE : \_\_\_\_\_

DELTA ELECTRONICS, INC.  
TAOYUAN PLANT  
252, SHANG YING ROAD, KUEI SAN INDUSTRIAL ZONE  
TAOYUAN SHIEN, TAIWAN, R.O.C.  
TEL:886-(0)3-3591968  
FAX:886-(0)3-3591991

DELTA ELECTRONICS, INC.  
 252, SHANG YING ROAD, KUEI SAN  
 TAOYUAN HSIEN 333, TAIWAN, R. O. C.

TEL : 886-(0)3-3591968  
 FAX : 886-(0)3-3591991

SPECIFICATION FOR APPROVAL  
 \*\*\*\*\*

Customer: TMPBU  
 -----  
 Description: DC FAN  
 -----  
 Customer P/N: REV:  
 -----  
 Delta Model NO.: AUC0912D-AF1F Delta Safety Model NO.: N/A  
 -----  
 Sample Rev: 00 Issue NO:  
 -----  
 Sample Issue Date: SEP.15.2010 Quantity:  
 -----

1. SCOPE:

THIS SPECIFICATION DEFINES THE ELECTRICAL AND MECHANICAL CHARACTERISTICS OF THE DC BRUSHLESS AXIAL FLOW FAN. THE FAN MOTOR IS WITH SINGLE PHASE AND FOUR POLES.

2. CHARACTERS:

| ITEM  | DESCRIPTION  |
|---|--|
| RATED VOLTAGE   | 12.0 VDC   |
| OPERATION VOLTAGE                                     | 10.8 - 13.2 VDC  |
| INPUT CURRENT   | 0.15 (MAX. 0.22) A<br>(SAFETY CURRENT 0.46 A)                                  |
| INPUT POWER   | 1.80 (MAX. 2.64) W   |
| SPEED (FAN ONLY)                                      | 3100±10% R.P.M.  |
| SPEED (FAN ON SINK)                                   | 3100±10% R.P.M.  |
| MAX. AIR FLOW (FAN ONLY)<br>(AT ZERO STATIC PRESSURE) | 0.643 (MIN. 0.578) M <sup>3</sup> /MIN.<br>22.68 (MIN. 20.41) CFM              |
| MAX. AIR PRESSURE (FAN ONLY)<br>(AT ZERO AIRFLOW)     | 1.66 (MIN. 1.34) mmH <sub>2</sub> O<br>0.065 (MIN. 0.053) inchH <sub>2</sub> O |
| ACOUSTICAL NOISE(ON SINK AVG.)                        | 32.6 (MAX. 36.6) dB-A  |
| INSULATION TYPE                                       | UL: CLASS A  |

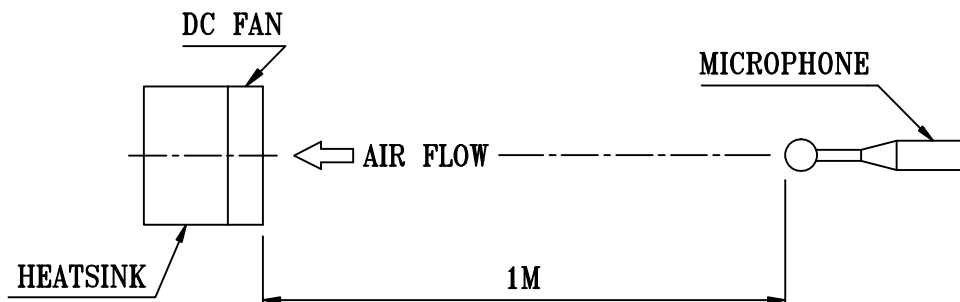
(continued)

PART NO:

DELTA MODEL: AUC0912D-AF1F

|                        |   |
|------------------------|---|
| INSULATION STRENGTH    | 10 MEG OHM MIN. AT 500 VDC<br>(BETWEEN FRAME AND (+) TERMINAL)  |
| DIELECTRIC STRENGTH    | 5 mA MAX. AT 500 VAC 50/60 Hz<br>ONE MINUTE, (BETWEEN FRAME AND<br>(+) TERMINAL)  |
| EXTERNAL COVER         | OPEN TYPE   |
| LIFE EXPECTANCE        | 80,000 HOURS CONTINUOUS OPERATION<br>AT 45 °C WITH 15 ~ 65 %RH.   |
| ROTATION               | CLOCKWISE VIEW<br>FROM NAME PLATE SIDE  |
| OVER CURRENT SHUT DOWN | THE CURRENT WILL SHUT DOWN WHEN<br>LOCKING ROTOR.   |
| LEAD WIRE              | UL 10368 -F- AWG #28<br>BLACK WIRE NEGATIVE(-)<br>YELLOW WIRE POSITIVE(+)<br>GREEN WIRE FREQUENCY(-F00)<br>BLUE WIRE SPEED CONTROL(PWM) |

- NOTES: 1. ALL READINGS ARE MEASURED AFTER STABLY WARMING UP THROUGH 10 MINUTES.  
2. THE VALUES WRITTEN IN PARENS , ( ), ARE LIMITED SPEC.  
3. ACOUSTICAL NOISE MEASURING CONDITION:



NOISE IS MEASURED AT RATED VOLTAGE IN FREE AIR IN ANECHOIC CHAMBER WITH B & K SOUND LEVEL METER WITH MICROPHONE AT A DISTANCE OF ONE METER FROM THE FAN INTAKE.

-----  
PART NO:  
-----

DELTA MODEL:           AUC0912D-AF1F  
-----

3. MECHANICAL:

- 3-1. DIMENSIONS ----- SEE DIMENSIONS DRAWING
- 3-2. FRAME ----- PLASTIC UL: 94V-0  
(THE CONTACT OF HALOGEN LESS THAN 1500 PPM FOR USING EDX ...ETC)
- 3-3. IMPELLER ----- PLASTIC UL: 94V-0  
(THE CONTACT OF HALOGEN LESS THAN 1500 PPM FOR USING EDX ...ETC)
- 3-4. BEARING SYSTEM ----- SUPERFLO BEARING
- 3-5. WEIGHT ----- 55 GRAMS

4. ENVIRONMENTAL:

- 4-1. OPERATING TEMPERATURE ----- 0 TO +70 DEGREE C
- 4-2. STORAGE TEMPERATURE ----- -30 TO +85 DEGREE C
- 4-3. OPERATING HUMIDITY --- 85% RELATIVE HUMIDITY WITH 55 DEGREE C
- 4-4. STORAGE HUMIDITY ----- 5 TO 95 % RH

5. PROTECTION:

- 5-1. LOCKED ROTOR PROTECTION  
IMPEDANCE OF MOTOR WINDING PROTECTS MOTOR FROM FIRE IN 96
- 5-2. POLARITY PROTECTION  
HOURS OF LOCKED ROTOR CONDITION AT THE RATED VOLTAGE.  
BE CAPABLE OF WITHSTANDING IF REVERSE CONNECTION FOR POSITIVE  
AND NEGATIVE LEADS.

6. RE OZONE DEPLETING SUBSTANCES:

- 6-1. NO CONTAINING PBBs, PBBOs, CFCs, PBBEs, PBDPEs AND HCFCs.

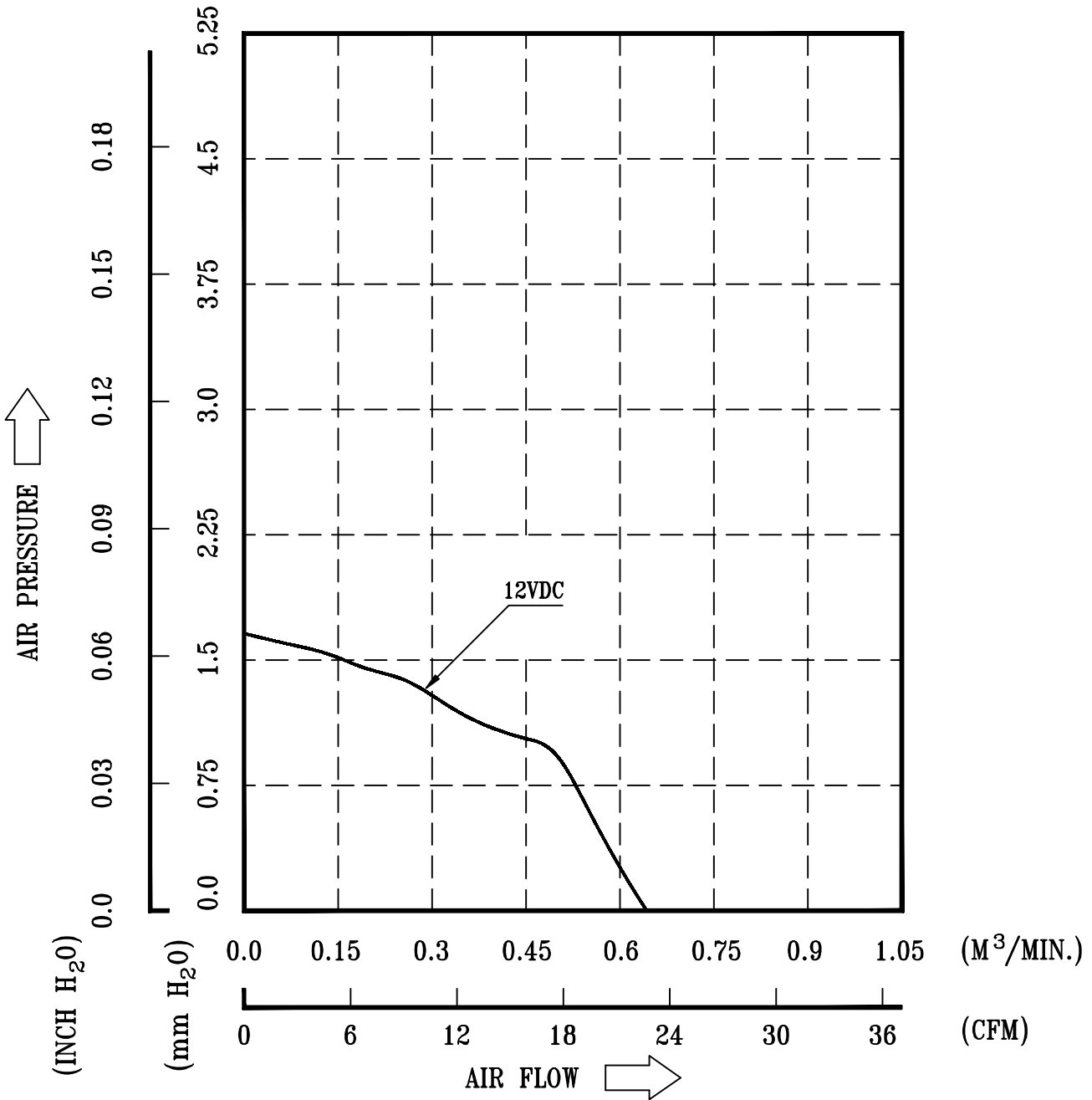
7. PRODUCTION LOCATION

- 7-1. PRODUCTS WILL BE PRODUCED IN CHINA OR THAILAND OR TAIWAN.

PART NO:

DELTA MODEL: AUC0912D-AF1F

8. P & Q CURVE:



\* TEST CONDITION: INPUT VOLTAGE ----- OPERATION VOLTAGE  
TEMPERATURE ----- ROOM TEMPERATURE  
HUMIDITY ----- 65%RH

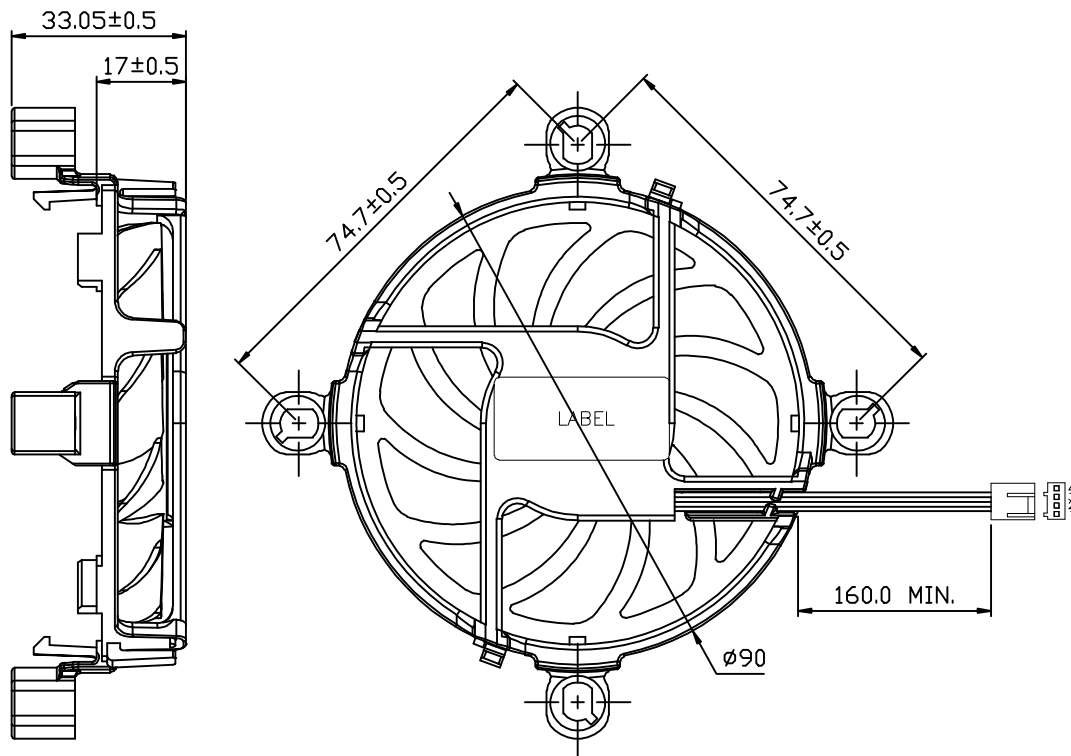
-----  
PART NO:  
-----

DELTA MODEL: AUC0912D-AF1F  
-----

9. DIMENSION DRAWING:

LABEL:

DELTA AUC0912D  
-AF1F  
yymmdd  
CHINA



UNIT: mm

NOTE :

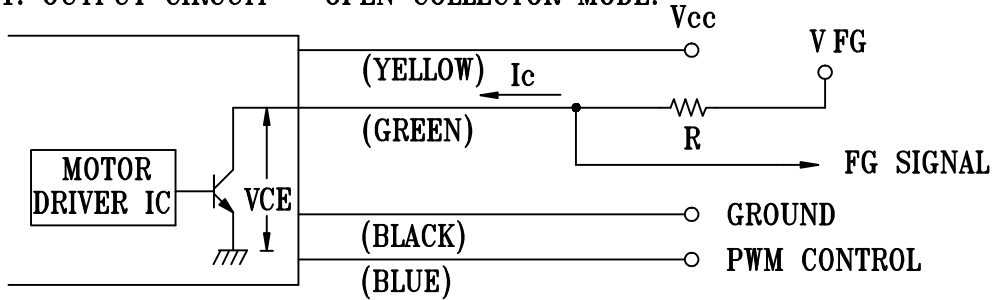
1. LEAD WIRE: UL 10368 -F- AWG #28  
PIN 1 : BLACK WIRE: NEGATIVE(-)  
PIN 2 : YELLOW WIRE: POSITIVE(+)  
PIN 3 : GREEN WIRE: TACHOMETER OUTPUT (F00)  
PIN 4 : BLUE WIRE: SPEED CONTROL (PWM)
2. HOUSING : MOLEX 47054-1000 OR EQUIVALENT
3. TERMINAL : MOLEX 2759T 08-50-0113 OR EQUIVALENT
4. THIS PRODUCT IS RoHS COMPLIANT
5. DELTA'S RESTRICTIONS ON HALOGEN APPLY ONLY TO BROMINATED AND CHLORINATED COMPOUNDS. NO OTHER HALOGEN IS RESTRICTED. SUBSTANCES RESTRICTIONS FOR HALOGEN-FREE (INCLUDE FAN PLASTIC PARTS, PWB BOARD, IC, ELECTRICAL MATERIALS & CABLE ASSY),
  - a. BROMINE(Br) < 900 PPM,
  - b. CHLORINE(Cl) < 900 PPM
  - c. (Br) + (Cl) < 1500 PPM.

-----  
PART NO:  
-----

DELTA MODEL:     AUC0912D-AF1F  
-----

10. FREQUENCY GENERATOR (FG) SIGNAL:

10-1. OUTPUT CIRCUIT - OPEN COLLECTOR MODE:



CAUTION: THE FG SIGNAL LEAD WIRE MUST BE KEPT AWAY FROM "+" LEAD WIRE & "-" LEAD WIRE.

10-2. SPECIFICATION:

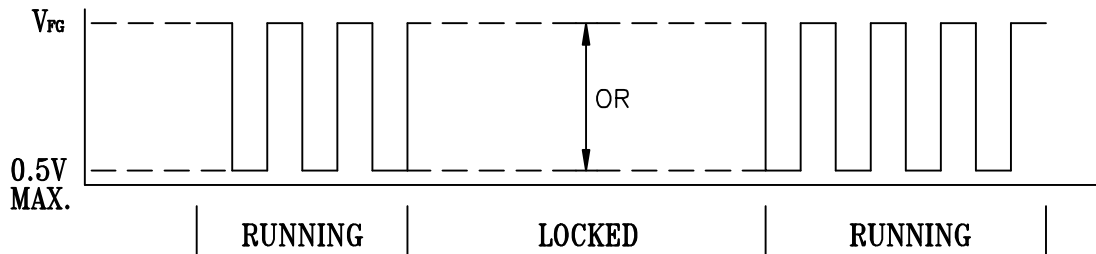
$V_{CE} \text{ (sat)} = 0.5V \text{ MAX.}$

$V_{FG} = 5.0V \text{ TYP. (} V_{CC} \text{ MAX.)}$

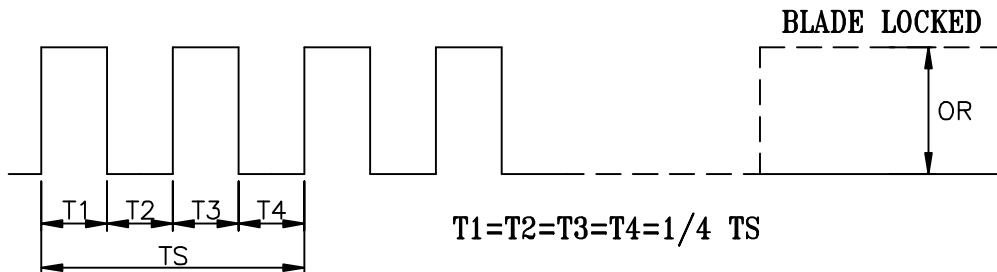
$I_c = 5mA \text{ MAX.}$

$R \geq V_{FG} / I_c$

10-3. FREQUENCY GENERATOR WAVEFORM:



FAN RUNNING FOR 4 POLES



$T_1 = T_2 = T_3 = T_4 = 1/4 \text{ TS}$

$N = \text{R.P.M}$

$TS = 60/N(\text{SEC})$

\*VOLTAGE LEVEL AFTER BLADE LOCKED

\*4 POLES

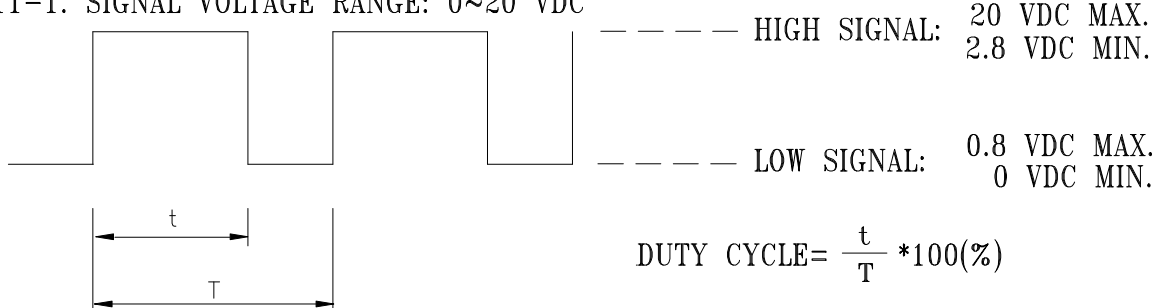


-----  
PART NO:  
-----

DELTA MODEL: AUC0912D-AF1F  
-----

11. PWM CONTROL SIGNAL:(FAN ON SINK)

11-1. SIGNAL VOLTAGE RANGE: 0~20 VDC

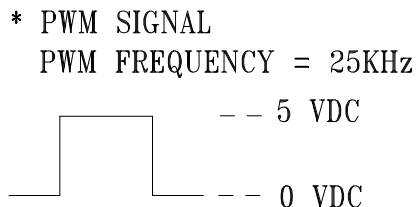


- THE PREFERRED OPERATING POINT FOR THE FAN IS 25KHZ.
- AT 100% DUTY CYCLE,THE ROTOR WILL SPIN AT MAXIMUM SPEED.
- WITH CONTROL SIGNAL LEAD DISCONNECTED,THE FAN WILL SPIN AT MAXIMUM SPEED.

11-2. SPEED VS PWM CONTROL SIGNAL:

(AT 25°C, RATED VOLTAGE & PWM SIGNAL AS FOLLOW)

| DUTY CYCLE (%) | SPEED R.P.M. | CURRENT (A) TYP. |
|----------------|--------------|------------------|
| 100            | 3100±10%     | 0.15             |
| 0~20           | 1000±200     | 0.03             |

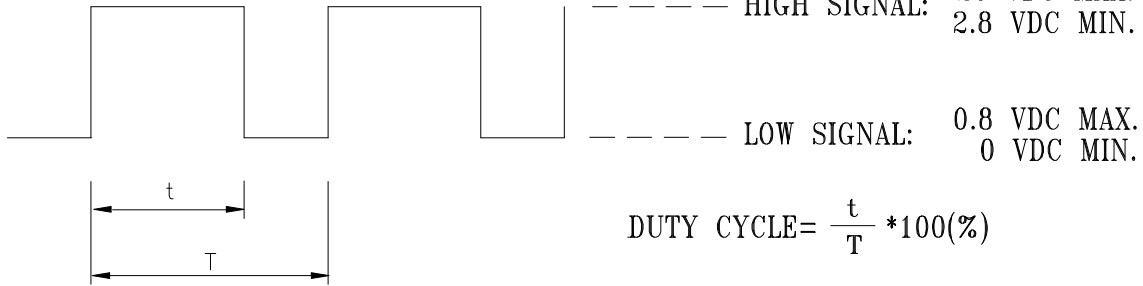


-----  
**PART NO:**  
 -----

**DELTA MODEL: AUC0912D-AF1F**  
 -----

12. PWM CONTROL SIGNAL:(FAN ONLY)

12-1. SIGNAL VOLTAGE RANGE: 0~20 VDC

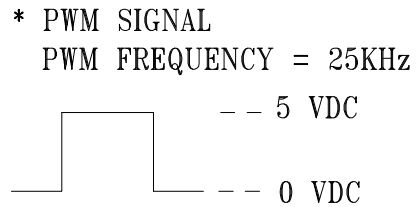


- THE PREFERRED OPERATING POINT FOR THE FAN IS 25KHZ.
- AT 100% DUTY CYCLE,THE ROTOR WILL SPIN AT MAXIMUM SPEED.
- WITH CONTROL SIGNAL LEAD DISCONNECTED,THE FAN WILL SPIN AT MAXIMUM SPEED.

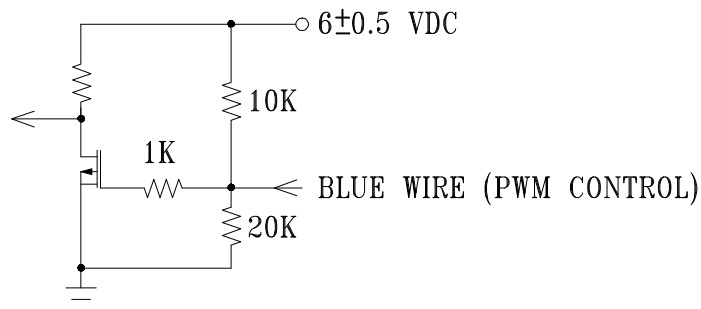
12-2. SPEED VS PWM CONTROL SIGNAL:

(AT 25°C, RATED VOLTAGE & PWM SIGNAL AS FOLLOW)

| DUTY CYCLE (%) | SPEED R.P.M. | CURRENT (A) TYP. |
|----------------|--------------|------------------|
| 100            | 3100±10%     | 0.15             |
| 0~20           | 1000±200     | 0.03             |



12-3. PWM CONTROL LEAD WIRE INPUT IMPEDANCE:





## ***Application Notice***

- 1. Delta will not guarantee the performance of the products if the application condition falls outside the parameters set forth in the specification.**
- 2. A written request should be submitted to Delta prior to approval if deviation from this specification is required.**
- 3. Please exercise caution when handling fans. Damage may be caused when pressure is applied to the impeller, if the fans are handled by the lead wires, or if the fan was hard-dropped to the production floor.**
- 4. Except as pertains to some special designs, there is no guarantee that the products will be free from any such safety problems or failures as caused by the introduction of powder, droplets of water or encroachment of insect into the hub.**
- 5. The above-mentioned conditions are representative of some unique examples and viewed as the first point of reference prior to all other information.**
- 6. It is very important to establish the correct polarity before connecting the fan to the power source. Positive (+) and Negative (-). Damage may be caused to the fans if connection is with reverse polarity, if there is no foolproof method to protect against such error specifically mentioned in this spec.**
- 7. Delta fans without special protection are not suitable where any corrosive fluids are introduced to their environment.**
- 8. Please ensure all fans are stored according to the storage temperature limits specified. Do not store fans in a high humidity environment. We highly recommend performance testing is conducted before shipping, if the fans have been stored over 6 months.**
- 9. Not all fans are provided with the Lock Rotor Protection feature. If you impair the rotation of the impeller for the fans that do not have this function, the performance of those fans will lead to failure.**
- 10. Please be cautious when mounting the fan. Incorrect mounting of fans may cause excess resonance, vibration and subsequent noise.**
- 11. It is important to consider safety when testing the fans. A suitable fan guard should be fitted to the fan to guard against any potential for personal injury.**
- 12. Except where specifically stated, all tests are carried out at room (ambient) temperature and relative humidity conditions of 25°C, 65% RH. The test value is only for fan performance itself.**
- 13. Be certain to connect an “4.7µF or greater” capacitor to the fan externally when the application calls for using multiple fans in parallel, to avoid any unstable power.**