

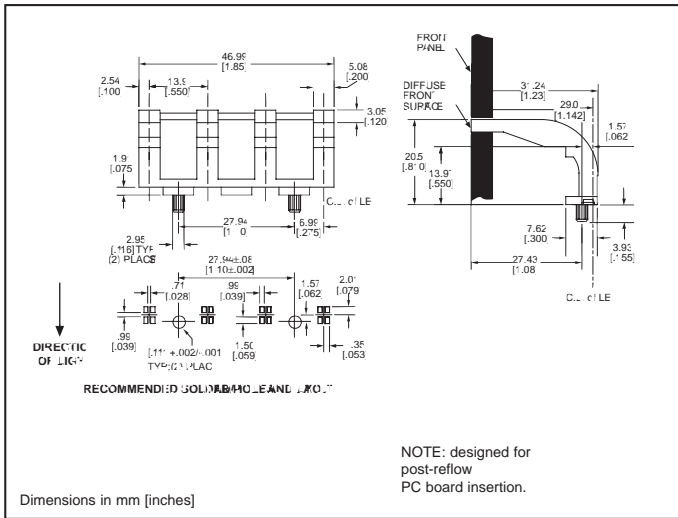
3 x 5mm Rectangular

*micro***LED**® *Optopipe*®

Optical Light Pipe, 4 Array (RJ45 Jack)

Dialight

515-1022



Recommended MicroLED SMT LEDs for use with 515-1022

<u>PART NO.</u>	<u>COLOR</u>	<u>PAGE #</u>
597-3001-1xx	Red	1-19
597-3111-1xx	AlGaAs Red	1-19
597-3111-5xx	AlGaAs Red	1-30
597-3211-1xx	Orange	1-19
597-3211-5xx	Orange	1-30
597-3301-1xx	Green	1-19
597-3301-5xx	Green	1-30
597-3401-1xx	Yellow	1-19
597-3401-5xx	Yellow	1-30
597-7701-1xx	Red/Green	1-20
597-7701-5xx	Red/Green	1-31
597-7721-1xx	Yellow/Green	1-20
597-7721-5xx	Yellow/Green	1-31
597-7731-1xx	Red/Yellow	1-20

Features

- Complements Dialight's 515-1070 Two-Array Optopipe®
- Allows indicators to be positioned above corresponding RJ45 jack or other components
- High transmissivity polycarbonate material
- UL94V-0 compliance
- ESD protection (circuit isolation from front panel)
- Wide viewing angle
- Arrays reduce insertion costs
- Secures to PCB by press-fit

LED Data

For absolute maximum ratings and other electrical and optical data on the recommended LEDs, refer to LED data sheets.

Operating/Storage Temperature

-30°C to +100°C

Dialight Optopipe® Light Pipe Description

This light pipe's four 3 x 5mm rectangular light emitting surfaces appear bright and are optically well isolated. The light pipe is reliably held in place by 2 press-fit pins located between the 2 light pipe elements. This Optopipe® functions as a through-the-case indicator by conducting the light over the top of connectors or switches. A textured finish on the 4 light emitting surfaces maximizes the viewing angle. The recommended light sources are Dialight's 597 Series 1210 Type SMT LEDs. The LEDs are mounted in a straight line on a 0.550" pitch. The light pipe material is water clear transmissive polycarbonate rated UL94-V0, and has a 35% oxygen index.

Dialight can provide custom Optopipe® solutions for your applications.