

# D/MS Accessories

## D/MS Series



### D/MS Series of Cable Clamps and Back Shells

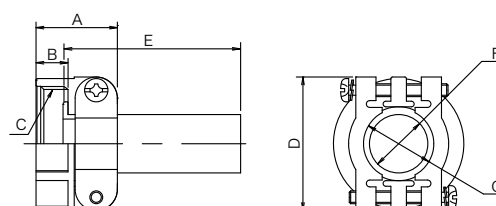


### Cable Clamp (With Rubber Bushing)

#### D/MS3057- □□ A

Material/Finish

.....Aluminum alloy/Zinc Plating, Trivalent chromate finish (Black)



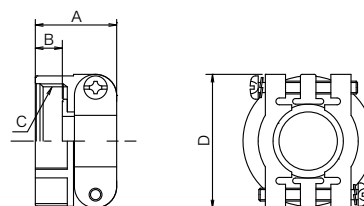
P/N	Shell Size	A	B	C Thread	D	E	F	G	Bushing Par Number
D/MS3057-4A	10SL, 12S	20.62	10.31	5/8-24 UNEF	22.23	69.8	5.59	7.67	AN3420-4
D/MS3057-6A	14S	22.23	10.31	3/4-20 UNEF	26.97	66.7	7.92	10.85	AN3420-6
D/MS3057-8A	16S, 16	23.83	10.31	7/8-20 UNEF	29.36	63.5	11.10	14.02	AN3420-8
D/MS3057-10A	18	23.83	10.31	1-20 UNEF	31.75	60.3	14.27	15.62	AN3420-10
D/MS3057-12A	20, 22	23.83	10.31	1 3/16-18 UNEF	37.31	57.2	15.88	18.80	AN3420-12
D/MS3057-16A	24, 28	26.19	10.31	1 7/16-18 UNEF	42.88	54.0	19.05	23.55	AN3420-16
D/MS3057-20A	32	27.79	11.91	1 3/4-18 UNS	51.59	50.8	23.80	31.50	AN3420-20
D/MS3057-24A	36	29.36	13.49	2-18 UNS	57.94	47.6	31.75	34.67	AN3420-24

### Cable Clamp (Less Rubber Bushing)

#### D/MS3057A- □□

Material/Finish

.....Aluminum alloy/Zinc Plating, Trivalent chromate finish (Black)



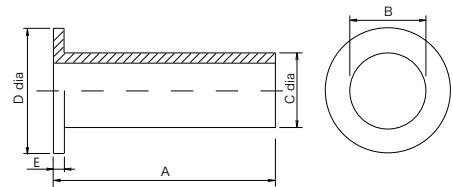
P/N	Shell Size	A	B	C Thread	D
D/MS3057A-4	10SL, 12S	20.62	10.31	5/8-24 UNEF	22.23
D/MS3057A-6	14S	22.23	10.31	3/4-20 UNEF	26.97
D/MS3057A-8	16S, 16	23.83	10.31	7/8-20 UNEF	29.36
D/MS3057A-10	18	23.83	10.31	1-20 UNEF	31.75
D/MS3057A-12	20, 22	23.83	10.31	1 3/16-18 UNEF	37.31
D/MS3057A-16	24, 28	26.19	10.31	1 7/16-18 UNEF	42.88
D/MS3057A-20	32	27.79	11.91	1 3/4-18 UNS	51.59
D/MS3057A-24	36	29.36	13.49	2-18 UNS	57.94

Specifications are subject to change without notice for purpose of product modification.

▶ Rubber Bushings

AN3420- □ □

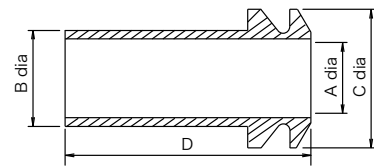
P/N	A	B	C	D	E
AN3420-4	69.8	5.59	7.67	14.5	2.3
AN3420-6	66.7	7.92	10.85	17.5	2.3
AN3420-8	63.5	11.10	14.02	20.8	2.3
AN3420-10	60.3	14.27	15.62	23.7	2.3
AN3420-12	57.2	15.88	18.80	28.2	2.3
AN3420-16	54.0	19.05	23.55	35.0	2.9
AN3420-20	50.8	23.80	31.50	42.8	2.9
AN3420-24	47.6	31.75	34.67	48.8	2.9



▶ Environmental Bushings

CE3420- □ □ - □

P/N	A	B	C	D	E	Applicable Cable Dia. (Reference, Only)
CE3420-4-1	5.6	12.9	7.5	38.3	6.4	3.6 - 5.6
CE3420-6-1	9.0	15.7	10.9	36.4	6.7	7.0 - 9.0
CE3420-8-1	12.0	19.1	14.0	37.5	6.5	9.5 - 12.0
CE3420-8-2	10.5					8.0 - 10.5
CE3420-10-1	14.1	22.2	15.5	38.5	7.5	10.5 - 14.1
CE3420-10-2	11.0					8.5 - 11.0
CE3420-10-3	8.7					6.5 - 8.7
CE3420-12-1	16.0					12.5 - 16.0
CE3420-12-2	13.0	26.9	18.6	39.3	8.3	9.5 - 13.0
CE3420-12-3	10.0					6.8 - 10.0
CE3420-12-7	17.0					15.0 - 17.0
CE3420-16-1	19.1	33.2	23.4	40.0	8.9	15.0 - 19.1
CE3420-16-2	15.5					13.0 - 15.5
CE3420-16-6	20.0					18.5 - 20.0
CE3420-20-1	23.8	40.5	31.3	41.0	9.5	22.0 - 23.8
CE3420-20-2	26.6					24.0 - 26.6

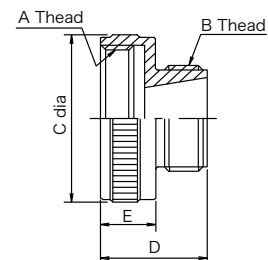


▶ Adapters

D/MS3055- □ □ - □

Material/Finish

.....Aluminum alloy/Zinc Plating, Trivalent chromate finish (Black)



P/N	A Thread	B Thread	C	D	E
D/MS3055-18-8- □	1 - 20 UNEF - 2B	7/8 - 20 UNEF - 2A	30	20.4	12
D/MS3055-18-10- □	1 - 20 UNEF - 2B	7/8-20 UNEF - 2A	30	22.4	12
D/MS3055-22-8- □	1 3/16 - 18 UNEF - 2B	7/8 - 20 UNEF - 2A	35	22.2	12
D/MS3055-22-8L- □	1 3/16 - 18 UNEF - 2B	7/8 - 20 UNEF - 2A	35	28.5	12
D/MS3055-22-12- □	1 3/16 - 18 UNEF - 2B	1 3/16 - 18 UNEF-2A	35	22.3	12
D/MS3055-28-16- □	1 7/16 - 18 UNEF - 2B	1 7/16 - 18 UNEF - 2A	41	22.4	12

Specifications are subject to change without notice for purpose of product modification.

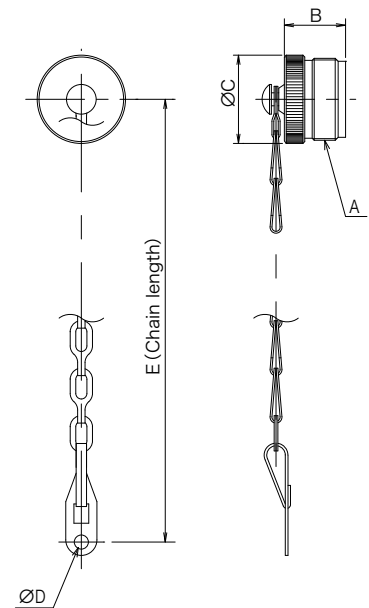
## ▶ CAP and Chain Assembly

### D/MS25042- □□ DK

Material/Finish

……Copper alloy/Zinc Plating, Trivalent chromate finish (Black)

P/N	Shell Size	Threads A	B	C	D	E
D/MS25042-10DK	10SL	5/8-24UNEF	16.66	17.45	3.8	170.78
D/MS25042-12DK	12S	3/4-20UNEF	21.44	20.62	3.8	170.78
D/MS25042-14DK	14S	7/8-20UNEF	21.44	23.80	3.8	170.78
D/MS25042-16DK	16S,16	1-20UNEF	21.44	26.97	3.8	170.78
D/MS25042-18DK	18	1 1/8-18UNEF	21.44	30.15	3.8	170.78
D/MS25042-20DK	20	1 1/4-18UNEF	21.44	33.32	4.6	170.78
D/MS25042-22DK	22	1 3/8-18UNEF	21.44	36.50	4.6	170.78
D/MS25042-24DK	24	1 1/2-18UNEF	21.44	39.67	4.6	170.78
D/MS25042-28DK	28	1 3/4-18UNS	21.44	46.02	4.6	170.78
D/MS25042-32DK	32	2-18UNS	21.44	52.37	5.8	170.78
D/MS25042-36DK	36	2 1/4-16UN	21.44	58.72	5.8	170.78

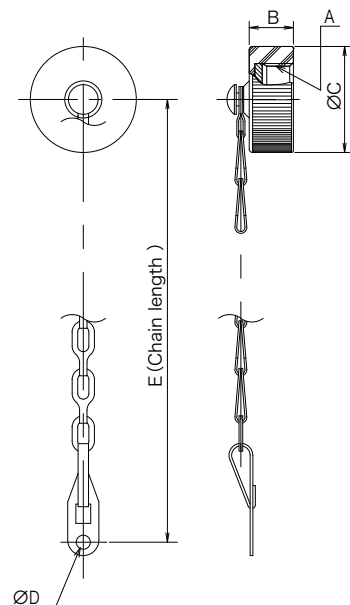


### D/MS25043- □□ DK

Material/Finish

……Copper alloy/Zinc Plating, Trivalent chromate finish (Black)

P/N	Shell Size	Threads A	B	C	D	E
D/MS25043-10DK	10SL	5/8-24UNEF	11.91	20.70	3.8	170.78
D/MS25043-12DK	12S	3/4-20UNEF	11.91	25.40	3.8	170.78
D/MS25043-14DK	14S	7/8-20UNEF	11.91	28.58	3.8	170.78
D/MS25043-16DK	16S,16	1-20UNEF	11.91	30.18	3.8	170.78
D/MS25043-18DK	18	1 1/8-18UNEF	11.91	34.13	3.8	170.78
D/MS25043-20DK	20	1 1/4-18UNEF	11.91	37.31	3.8	170.78
D/MS25043-22DK	22	1 3/8-18UNEF	11.91	40.49	3.8	170.78
D/MS25043-24DK	24	1 1/2-18UNEF	11.91	43.66	4.6	170.78
D/MS25043-28DK	28	1 3/4-18UNS	13.49	50.01	4.6	170.78
D/MS25043-32DK	32	2-18UNS	13.49	56.36	4.6	170.78
D/MS25043-36DK	36	2 1/4-16UN	13.49	62.71	4.6	170.78



Specifications are subject to change without notice for purpose of product modification.

<http://www.ddknet.co.jp>