

Tin-lead plating

17JE-23250-02(D1)



17JE-13250-02(D1)

FEATURE

- A connector for solder-wiring equipped with solder-cup type contacts
- Number of contacts: 9, 15, 25 and 37
- A stranded wire of AWG 22 or lower is most suited. (Use a soldering iron of 40W or lower for soldering.)
- Ni-plated metal shell surface; beat-finished pin-connector
- Connection of cable and plug can be shielded by a metalize-finished hood, improving resistance against EMI.

F

17JE

SPECIFICATION

Voltage Rating	300V AC (rms)
Current Rating	5A / contact
Dielectric With Standing Voltage	1000V AC (rms) for 1 minute
Insulation Resistance	1000M Ω min. at 500V DC
Contact Resistance	15m Ω max.
Wire Accommodation	Stranded: 20 AWG max. Solid: 22 AWG max.
Temperature	-25°C to +85°C

MATERIAL/FINISH

Block	Polyamide resin (UL94V-0) / White
Shell	Brass / Nickel plating
Contact	Copper alloy / Gold over Nickel plating
Hood	ABS resin (UL94V-0) / Nickel plating
Jack screw	Brass / Nickel plating

17JE Series

Unit : mm

17JE-2325 0-02(D1)

CONNECTOR
13 : Socket connector
23 : Pin connector

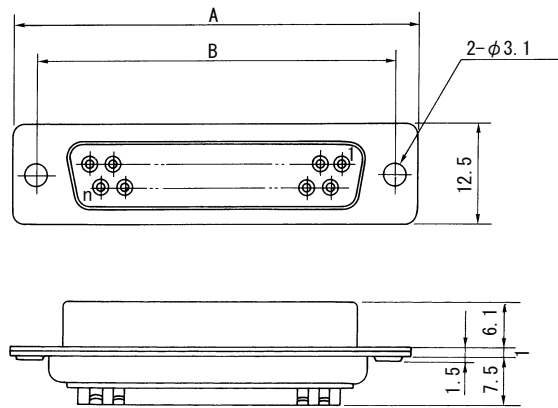
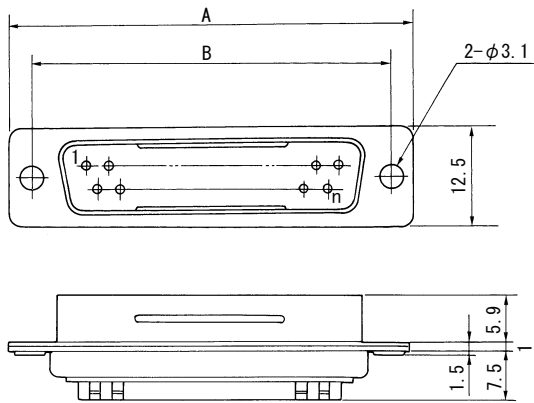
NO. OF CONTACTS
09 : 9 Contacts
15 : 15 Contacts
25 : 25 Contacts
37 : 37 Contacts

DEVIATION
see the following list

17JE-23□□0-02(D1)

17JE-13□□0-02(D1)

F
17JE



NO. OF CONTACTS	P/N		A	B
	Socket Connector	Pin Connector		
37	17JE-13370-02(D1)	17JE-23370-02(D1)	69.2	63.50
25	17JE-13250-02(D1)	17JE-23250-02(D1)	52.9	47.04
15	17JE-13150-02(D1)	17JE-23150-02(D1)	39.0	33.32
9	17JE-13090-02(D1)	17JE-23090-02(D1)	30.7	24.99

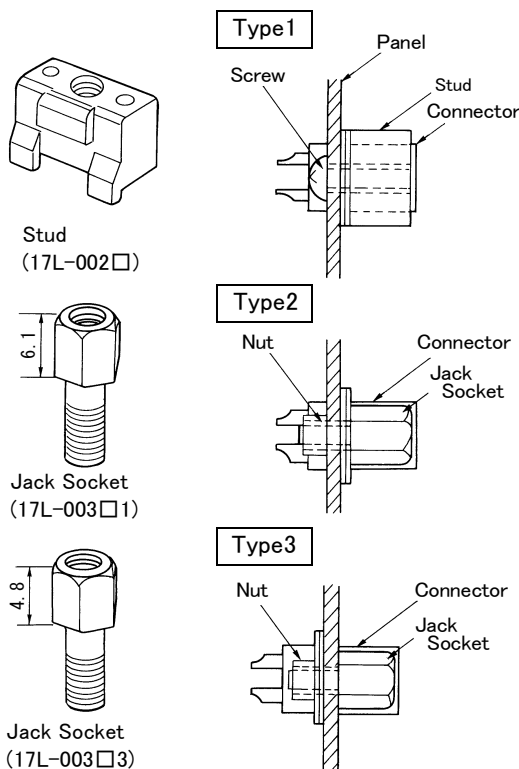
Designation of Stud Fixing Connector to Panel

Type of mounting	Front-mount type	Front-mount type	Front-mount type
Stud Jack Socket P/N			
17L-002□ Type1 	17JE-□□□□-0□(D2□) Equipped with pan-head small screw L 17JE-13□□0-37(D2□)A Pan-head small screw L6 bundled (not built in)		
17L-003□1 Type2 		17JE-□□□□-0□(D3□) Bundled (not built in) M3 hexagon-head nut bundled (not built in)	
17L-003□3 Type3 Panel thickness: 1.3 max.			17JE-□□□□-0□(D4□) Bundled (not built in) M3 hexagon-head nut bundled (not built in)

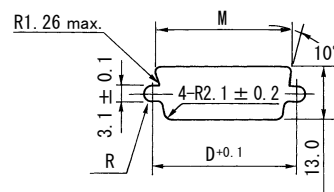
* Table shows combinations of stud/jack-sockets and mounting types; Intersections in the matrix show deviation names.

stands for no combination.

● Mounting 17JE Soldering Type

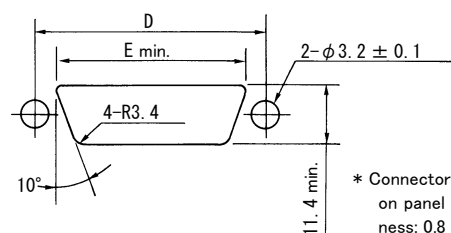


• Reference drawing of panel mounting hole of types 1 and 2



NO. OF CONTACTS	D	E	M
9	24.99	20.5	22.2
15	33.32	28.8	30.5
25	47.04	42.5	44.3
37	63.50	59.1	60.7

• Reference drawing of panel mounting hole of type 3



* Connector can be fixed on panel (panel thickness: 0.8 to 1.3).

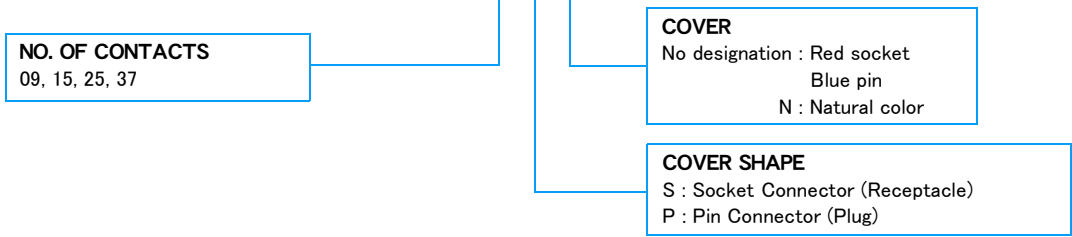
Dust Cover



No string

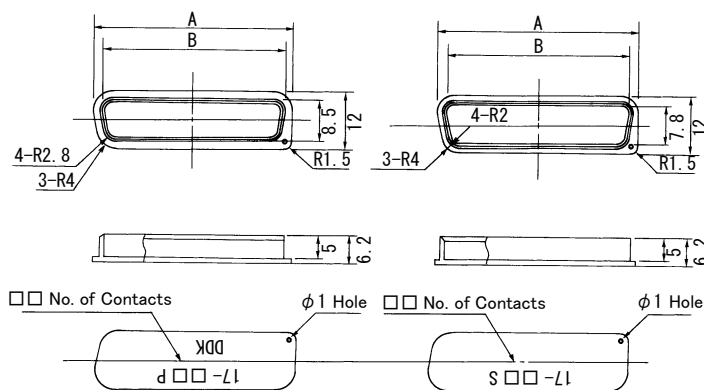
F
17JE

17-25PN



Shape, Size

● No string



P/N	A	B
17-37P□	58.3	55.2
17-25P□	42.0	38.7
17-15P□	28.1	25.0
17-09P□	19.8	16.7
17-37S□	58.3	54.1
17-25S□	42.0	37.7
17-15S□	28.1	24.0
17-09S□	19.8	15.7