

## Bar/T Knobs

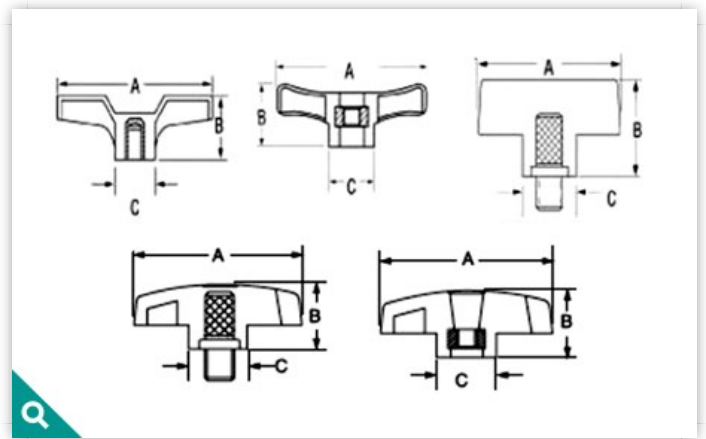
### Series #3093

- ▶ Over 20 different shapes of bar knobs and T knobs available in both thermoplastic and phenolic materials.
- ▶ Sizes ranging from 1-1/32" to 3-3/8" in diameter.
- ▶ Female insert, projecting stud and thru-hole bar knobs options.
- ▶ Click on the part number for additional information and search by diameter, mounting, material, etc.
- ▶ Knobs can be decorated or customized to your specific need.
- ▶ Colors available upon request.
- ▶ Please note: Not all variations available are listed below. Please [contact customer service](#) to inquire about all available options.



CHECK INVENTORY

REQUEST A QUOTE



Item #	Diameter A	Height B	Hub C	Material Type	Mounting Diameter	Mounting Type	Thread Length/Depth	Color	Product Drawing
3093	3	1.17	0.78	Thermoplastic	1/4-20	Female Insert	0.50	Black	<a href="#">Download</a>
3093-A	3	1.17	0.78	Thermoplastic	5/16-18	Female Insert	0.50	Black	<a href="#">Download</a>
3093-B	3	1.17	0.78	Thermoplastic	3/8-16	Female Insert	0.50	Black	<a href="#">Download</a>
3093-C	3	1.17	0.78	Thermoplastic	1/4-20	Thru-Hole		Black	<a href="#">Download</a>
3093-D	3	1.17	0.78	Thermoplastic	5/16-18	Thru-Hole		Black	<a href="#">Download</a>
3093-E	3	1.17	0.78	Thermoplastic	1/4-20	Projecting Stud	0.50	Black	<a href="#">Download</a>
3093-F	3	1.17	0.78	Thermoplastic	1/4-20	Projecting Stud	0.75	Black	<a href="#">Download</a>
3093-G	3	1.17	0.78	Thermoplastic	5/16-18	Projecting Stud	0.75	Black	<a href="#">Download</a>
3093-H	3	1.17	0.78	Thermoplastic	5/16-18	Projecting Stud	1.00	Black	<a href="#">Download</a>
3093-J	3	1.17	0.78	Thermoplastic	3/8-16	Projecting Stud	0.75	Black	<a href="#">Download</a>
3093-K	3	1.17	0.78	Thermoplastic	3/8-16	Projecting Stud	1.00	Black	<a href="#">Download</a>
3093-N	3	1.17	0.78	Thermoplastic	3/8-16	Thru-Hole		Black	<a href="#">Download</a>
3093-R	3	1.17	0.78	Thermoplastic	3/8-16	Projecting Stud	1.50	Black	<a href="#">Download</a>
3093-S	3	1.17	0.78	Thermoplastic	1/4-20	Projecting Stud	1.75	Black	<a href="#">Download</a>

PRODUCTS

- [Knobs](#)
- [Handles](#)
- [Electronic Enclosures](#)
- [Hex Hybrid Standoffs](#)
- [Two-Shot / Soft Touch](#)
- [Frac Balls](#)
- [Cable Glands](#)
- [Rubber Grommets](#)
- [Custom Molding](#)

RESOURCES

- [Engineering Specifications](#)
- [Distributor Listing](#)
- [Sales Representative Listing](#)

COMPANY

- [About Us](#)
- [Capabilities](#)
- [Certifications](#)
- [Contact Us](#)
- [Blog](#)
- [Careers](#)

QUESTIONS ?

1 + 1 =  \*