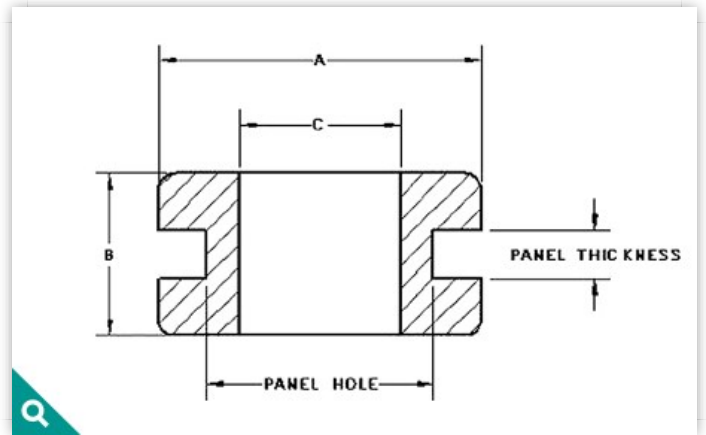


Rubber Grommets

Series #5112

- ▶ Available with multiple combinations of panel cut out holes and panel thickness.
- ▶ Perfect for electrical insulation and mechanical damping.
- ▶ Protects wires and cables against abrasion damage from sharp panel edges.
- ▶ Durable yet flexible Thermoset NBR Rubber is used for its resistance to oils, fuels and other chemicals.
- ▶ Better cut and tear resistance compared to thermoplastic rubber grommets.
- ▶ Rubber grommets add aesthetic value to your application.
- ▶ Circular shape for ease of handling and installation. No tools necessary.
- ▶ Please note: Not all variations available are listed below. Please **contact customer service** to inquire about all available options.



CHECK INVENTORY

REQUEST A QUOTE

Item #	Cut Out Hole	Panel Thickness	Diameter A	Height B	Thru-Hole Diameter C	Product Drawing
5112	0.375	0.093	0.5	0.312	0.125	

PRODUCTS

- [Knobs](#)
- [Handles](#)
- [Electronic Enclosures](#)
- [Hex Hybrid Standoffs](#)
- [Two-Shot / Soft Touch](#)
- [Frac Balls](#)
- [Cable Glands](#)
- [Rubber Grommets](#)
- [Custom Molding](#)

RESOURCES

- [Engineering Specifications](#)
- [Distributor Listing](#)
- [Sales Representative Listing](#)

COMPANY

- [About Us](#)
- [Capabilities](#)
- [Certifications](#)
- [Contact Us](#)
- [Blog](#)
- [Careers](#)

QUESTIONS ?

