

PART NAME: HANDLE

SCALE: 1:1

DATE: 5/17/65

DR. BY LS



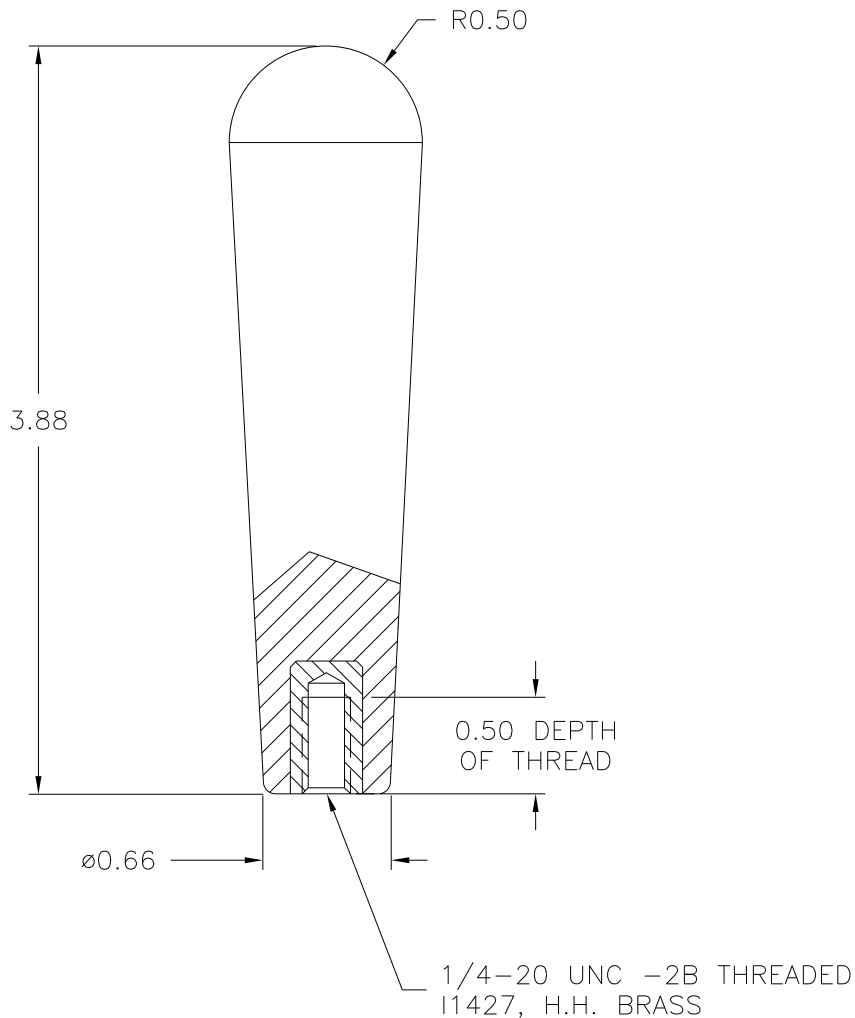
DESIGNERS & MANUFACTURERS OF KNOBS, HANDLES, CASES & CUSTOM PLASTIC COMPONENTS

P/N 5582-R

THIS DRAWING IS THE PROPERTY OF DAVIES MOLDING COMPANY, IS SUBMITTED SOLELY AS A DESIGN OR ENGINEERING PROJECT. WE ACCEPT NO RESPONSIBILITY WHATSOEVER FOR THE PRACTICAL APPLICATION OF THE PIECES MADE TO THIS DESIGN.

M NO. 5582

CAVITY	5582
PLUNGER	5582
PIN	5582-V
INSERT	I1427



MATERIAL: G.P. PHENOLIC (B11)
COLOR: BLACK

TOLERANCES: UNLESS OTHERWISE SPECIFIED	DO NOT SCALE DRAWING	-	CAD/REDRAWN	HD	10/31/96
DECIMALS: X.XXX ± .005 X.XX ± .015	MM: X.XX ± 0.15MM X.X ± 0.4MM	A	WAS I-401 FM. - OBSOLETE	HD	9/21/87
FRACTIONS ± 1/64	ANG. ± 1°	-	HAND/REDRAWN	HD	9/21/87
CHANGES					