

PART NAME: KNOB SCALE: 1:1 DATE: 3/17/56 DR. BY LSP

THIS DRAWING IS THE PROPERTY OF DAVIES MOLDING COMPANY, IS SUBMITTED SOLELY AS A DESIGN OR ENGINEERING PROJECT. WE ACCEPT NO RESPONSIBILITY WHATSOEVER FOR THE PRACTICAL APPLICATION OF THE PIECES MADE TO THIS DESIGN.



DESIGNERS & MANUFACTURERS
OF KNOBS, HANDLES, CASES &
CUSTOM PLASTIC COMPONENTS

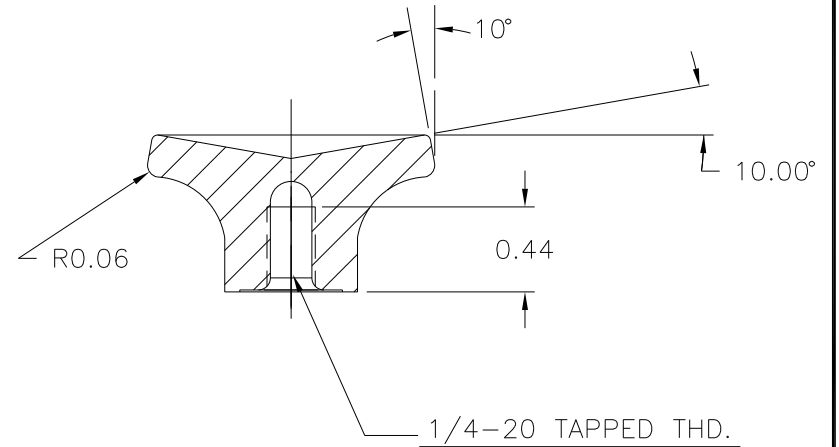
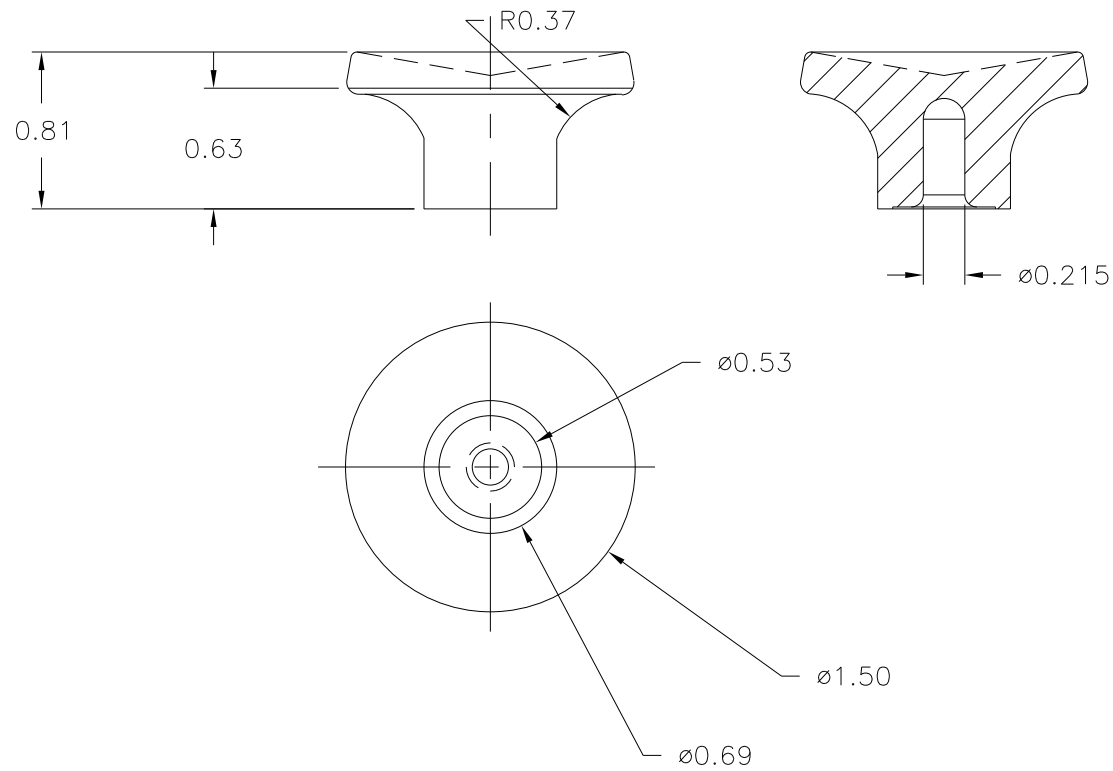
P/N 3020-G

BASE PART 3020-02

CAD/REDRAWN : 6/8/94 : HD ©

Ⓐ AFTER MOLDING

AFTER FINISHING



Ⓑ

MATERIAL: #4311 PHENOLIC (B41)
COLOR: BLACK

TOLERANCES: UNLESS OTHERWISE SPECIFIED	DO NOT SCALE DRAWING	C	ADDED BASE PART	JAM	4/8/14
DECIMALS: X.XXX ± .005 X.XX ± .015	MM: X.XX ± 0.15MM X.X ± 0.4MM	B	WAS #2535	JAM	4/22/13
FRACTIONS ± 1/64	ANG. ± 1°	A	ADDED "AFTER MOLDING" VIEW	DS	4/11/06
CHANGES					