

# Crydom

*See full Datasheet below...*

**onlinecomponents.com**  
*THE ONLINE DISTRIBUTOR OF ELECTRONIC COMPONENTS*

**BUY NOW**

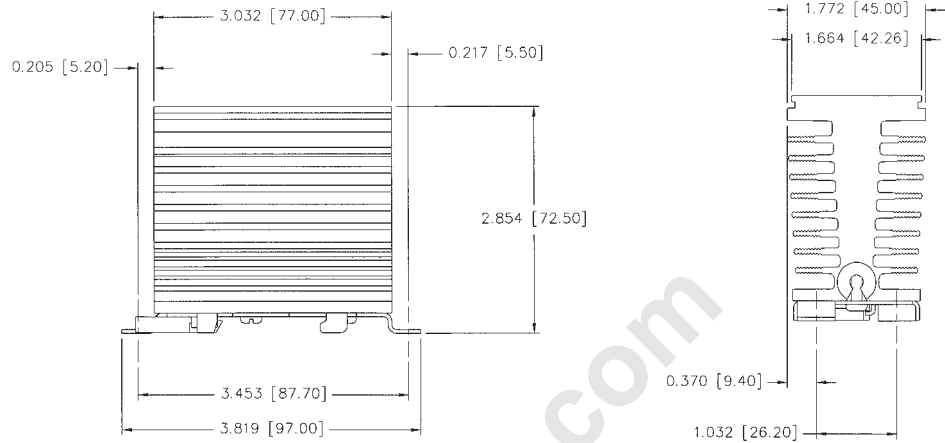
 **MASTER**<sup>TM</sup>  
E L E C T R O N I C S

**BUY NOW**

masterelectronics.com & onlinecomponents.com  
are **authorized** e-commerce distributors  
of electronic components.

## SOLID STATE RELAYS

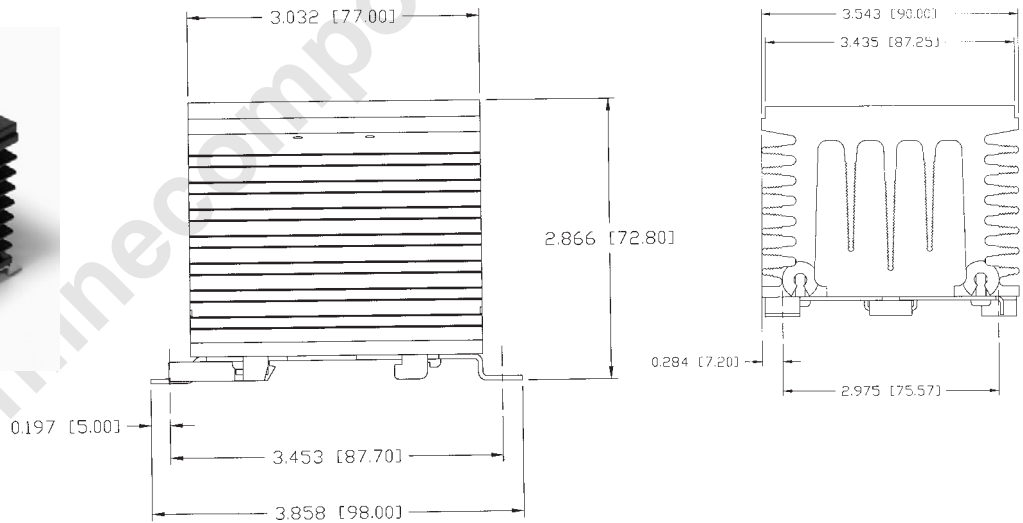
### HS8 HEATSINK



#### ORDERING INFORMATION:

Model #	Description
HS8	Heatsink 2.1°C/W (For Single Phase SSR's)

### HS9 HEATSINK



#### ORDERING INFORMATION:

Model #	Description
HS9	Heatsink 1.5°C/W (For Single Phase SSR's)

**DIMENSIONS:** inches (mm)

**TOLERANCES:** ±0.02 inches

**MATERIAL:** AISI 6063-T5 Aluminum

**FINISH:** Black Anodized

Products and specifications subject to change without notice.  
Consult factory for application assistance.