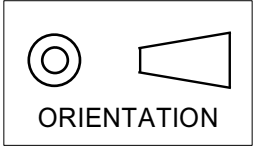


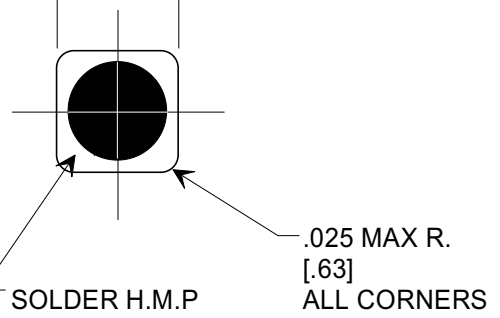
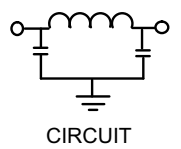
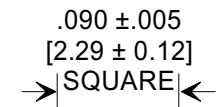
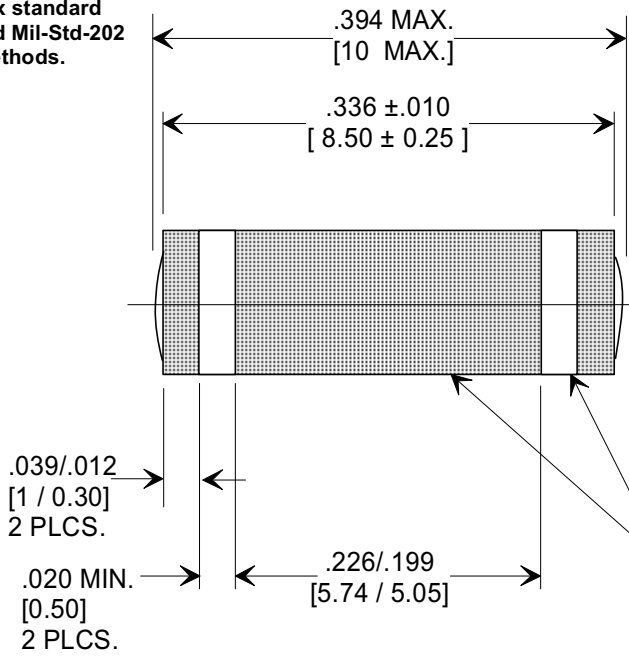
MARKETING SALES DRAWING

DIMENSIONS IN INCHES - DO NOT SCALE THIS DRAWING
 DIMENSIONS IN METRIC []

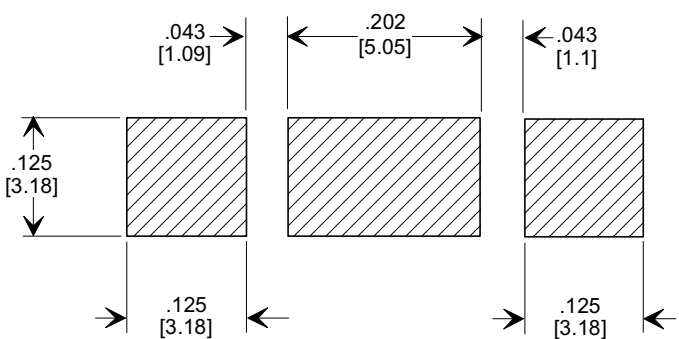
This drawing is the property of Tusonix, Inc., and may not be used, reproduced, published or disclosed to others without expressed authorization by Tusonix Inc.



Electrical Testing per Tusonix standard test plans and Mil-Std-202 Test Methods.



ELECTRODE TERMINATION SEE NOTE 5



SUGGESTED MOUNTING PATTERN

NOTES:

- INDUCTANCE TO BE 0.1 μH MINIMUM.
- PACKAGE: BLISTER TAPE TO IEC-60286-3 TYPE II AND EIA-481-A.
FOR 2,000 PIECE REEL ADD "M" TO THE PART NUMBER
FOR 7,000 PIECE REEL ADD "T" TO THE PART NUMBER
- TUSONIX NON-RoHS PART NUMBER: 4701-001M, OR 4701-001T.
TUSONIX RoHS COMPLIANT PART NUMBER: 4701-001M LF OR 4701-001T LF.
CUSTOMER MUST SPECIFY STANDARD OR RoHS PART NUMBER WHEN ORDERING.
- PART MARKING: STANDARD PART: NO MARKING. RoHS PART: LABELED ON PACKAGING ONLY.
- ELECTRODE TERMINATION: 60/40 SOLDER: RoHS COMPLIANT: MATTE TIN.

CAP.	TOLERANCE	WVDC +85°C	TEST VOLTAGE	I.R.MIN. @ 100 (VDC.)	IDC	TYPICAL NO LOAD INSERTION LOSS dB AT 25°C PER MIL-STD-220		
						10 MHZ	100 MHZ	1 GHZ
8,200 pF	+80% / -20%	100	300 VDC	10 G Ω	10 A	20	65	70

X-2015 Rev-0

REVISION RECORD	0	Original Release
	6	20010918-3-03
	7	20030213-1-10
	8	20030619-2-10
	9	20050617-3-02
	10	20070301-1-10
	B	ECO-2718
	C	ECO-3091

--TOLERANCES-- Unless Otherwise Specified	DECIMAL ± .005 [0.10]
ANGLES ±	45°

Title SURFACE MOUNT SQUARE STYLE PI FILTER	
Drawn EC 08-11-95	Scale 7 X
Approved NV 08-11-95	
A	4701-001