

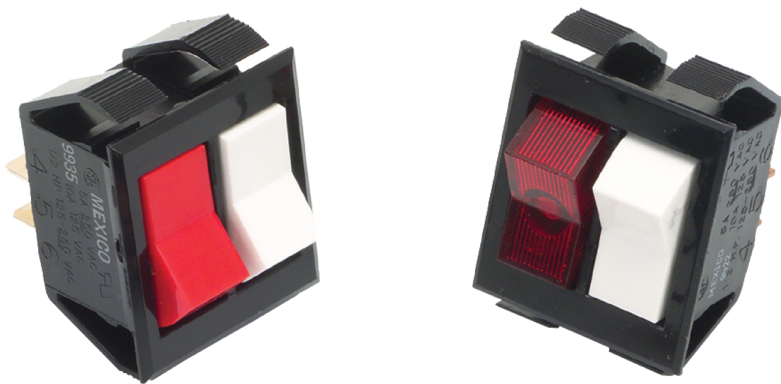
# TTG-Series

## Rocker Switches

The TTG-Series Mini Tippette snap-in rocker switches consist of two single pole illuminated or non-illuminated switches in a common base. Each pole can have the same or different switch function. These switches are AC rated up to 20 amps and are also suitable for low-voltage DC applications, in a wide range of markets.

### Applications:

- ♦ Appliance
- ♦ HVAC
- ♦ Food Service
- ♦ Transportation



**Carling Technologies®**  
Innovative Designs. Powerful Solutions.

Carling Technologies, Inc.  
60 Johnson Avenue • Plainville, CT 06062-1177  
Phone: (860) 793-9281 • Fax: (860) 793-9231  
Email: [sales@carlingtech.com](mailto:sales@carlingtech.com) • [www.carlingtech.com](http://www.carlingtech.com)

### Dielectric Strength

UL/CSA:  
1000V - live to dead metal parts

### Electrical Life

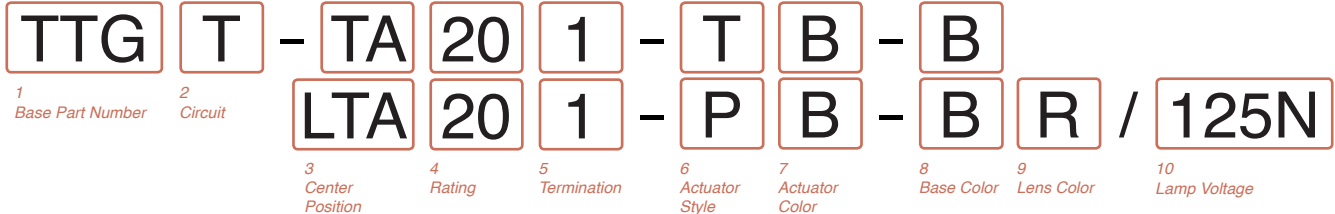
50,000 cycles - maintained  
25,000 cycles - momentary

### Mechanical Life

100,000 cycles

### Operating Temperature

32°F to 185°F (0°C to 85°C)



<b>1 BASE PART NUMBER: SERIES</b>
<b>TTG</b> Two Single Pole switches in one base

<b>6 ACTUATOR STYLE</b>	<b>PS</b> Short Paddle
<b>P</b> Paddle	<b>T</b> Rocker

<b>2 CIRCUIT<sup>1</sup></b>
See Circuit Designation Chart.

<b>7 ACTUATOR COLOR</b>	<b>lighted<sup>3</sup></b>
<b>unlighted<sup>2</sup></b>	<b>A</b> Amber
<b>B</b> Black	<b>C</b> Clear
<b>W</b> White	<b>G</b> Green
	<b>LU</b> Blue
	<b>R</b> Red

<b>3 BASIC SWITCH NUMBER</b>	
<b>TA</b> On-None-Off	<b>TC</b> On-Off-On
<b>TB</b> On-None-On	<b>LTA</b> On-None-Off, Lighted

<b>8 BASE COLOR<sup>2</sup></b>	<b>W</b> White
<b>B</b> Black	

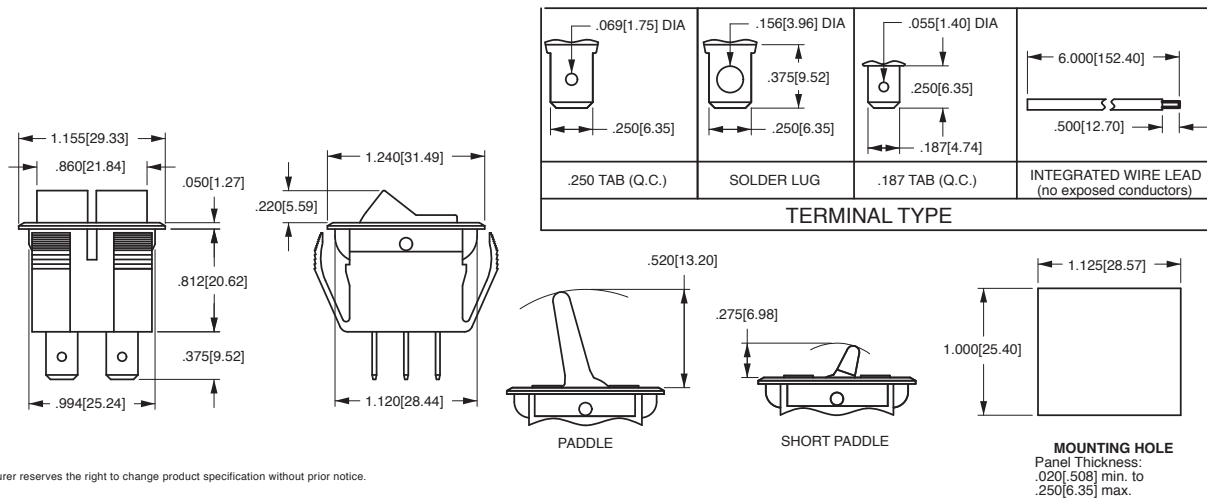
<b>4 RATING</b>
<b>10</b> 5A 250VAC, 10A 125VAC, 1/2HP 125-250VAC
<b>11</b> 5A 250VAC, 10A 125VAC, 5A 125VAC L
<b>20</b> 10A 250VAC, 15A 125VAC, 3/4HP 125-250VAC
<b>21</b> 10A 250VAC, 15A 125VAC
<b>22</b> 10A 250VAC, 15A 125VAC, 20A 125-250VAC H, 3/4HP 125-250VAC

<b>9 LENS COLOR<sup>4</sup></b>	<b>A</b> Amber	<b>G</b> Green	<b>R</b> Red
	<b>C</b> Clear	<b>LU</b> Blue	<b>W</b> White

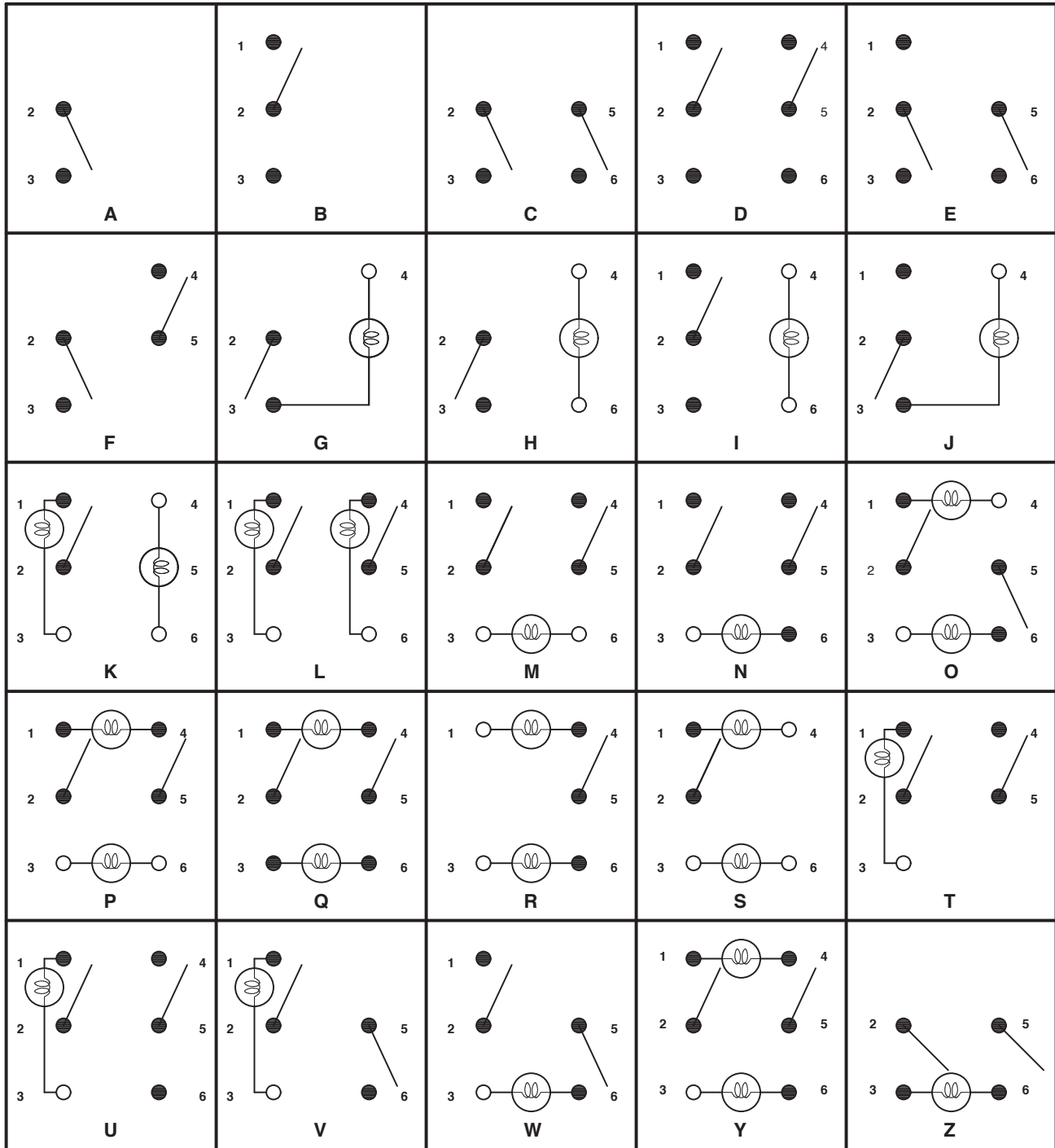
<b>5 TERMINATION/FUNCTION</b>				
	Solder Lug	.250 Tab QC	.187 Tab QC	Wire Leads
On-None-Off	<b>0</b>	<b>1</b>	<b>3</b>	<b>5</b>
(On)-None-Off	<b>A</b>	<b>B</b>	<b>D</b>	<b>F</b>
On-None-(Off)	<b>L</b>	<b>M</b>	<b>R</b>	<b>T</b>
On-None-On	<b>0</b>	<b>1</b>	<b>3</b>	<b>5</b>
On-None-(On)	<b>A</b>	<b>B</b>	<b>D</b>	<b>F</b>
On-Off-On	<b>0</b>	<b>1</b>	<b>3</b>	<b>5</b>

<b>10 LAMP VOLTAGE</b>	
<b>incandescent</b>	<b>neon</b>
<b>6V</b> 6 volt	<b>125N</b> 125 volt neon
<b>12V</b> 12 volt	<b>250N</b> 250 volt neon
<b>18V</b> 18 volt	
<b>24V</b> 24 volt	
<b>28V</b> 28 volt	

- Notes:  
Imprinting is available. Consult factory.  
Panel Cut-Out Recommendations: For sheet metal panels, switch must enter panel in same direction as the punch. (Burr on bottom.) Test cut hole in actual material.
- 1 TG available with circuits A, B, C, D, E, F, L, T, U  
G, H, I, J, M, N, P, Q, R, T, U, V, Y, Z.
  - 2 Custom colors are available. Consult factory.
  - 3 Specify lens color for LTA with rocker only.
  - 4 Specify lens color for LTA with paddle actuators only.
- ( ) Indicates momentary function.



\*Manufacturer reserves the right to change product specification without prior notice.



● CONTACT TERMINAL  
Will make contact with switching lever

● CONTACT TERMINAL AND SWITCH LEVER

○ ISOLATED TERMINAL  
Does not make contact with switching lever

⊗ BULB

REV\_SW\_TTG\_04\_2014