

RR/LRR

RR/LRR-Series

ROUNDED ROCKER SWITCHES

Carling Technologies' RR and LRR-Series round rocker switches feature a uniquely sculpted rocker design with electrical ratings of up to 12A 125VAC, 10A 250VAC and fit an industry standard cutout, making installation a snap. The lighted LRR-Series can be wired to accommodate dependent or independent, illumination, neon or incandescent lamps with red, green, amber or white translucent rockers. Standard or custom actuator legends are available.



Product Highlights:

- ◆ 125/250VAC or low voltage 12/24VDC
- ◆ Neon or Incandescent Illumination
- ◆ Industry Std. 20.2mm mounting hole
- ◆ Maintained or momentary circuitry

Typical Applications:

- ◆ Appliance
- ◆ Vacuum Cleaners
- ◆ Office Automation
- ◆ Food Service
- ◆ Audio Visual
- ◆ Test & Measurement



Dielectric Strength

UL/CUL:
1000V-live to dead metal parts
& opposite polarity

Electrical Life

50,000 cycles

Mechanical Life

100,000 cycles

Operating Temperature

32°F to 185°F (0°C to 85°C)



1 SERIES²
RR Rocker LRR Lighted Rocker

2 CIRCUIT
RR-Series (Non-Illuminated)
1 On-None-Off
2 (On)-None-Off
3 On-None-(Off)
4 On-None-On
5 On-None-(On)
6 On-Off-On
LRR-Series (Illuminated)
1 On-None-Off

3 RATING¹
1 10A, 125-250VAC; 12A 125 VAC
1/4 HP 125-250 VAC
3 6A, 28 VDC
4 12A, 12 VDC
5 12A, 6 VDC

4 TERMINATION
2 .187 Tab

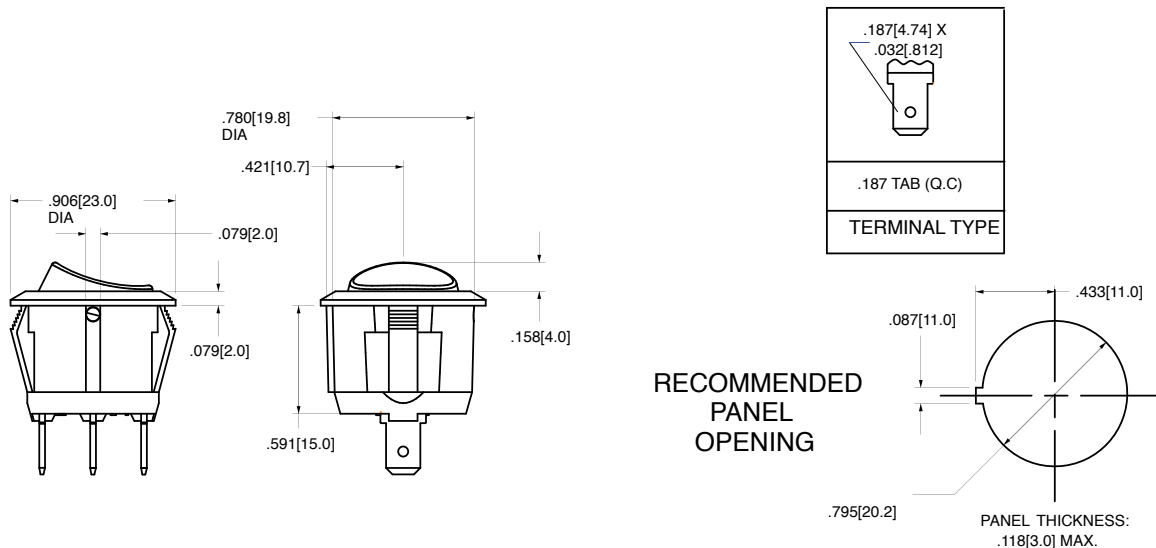
5 ACTUATOR COLOR²
RR-Series (Non-Illuminated) Solid Color
B Black
W White
R Red
LRR-Series (Illuminated) Transparent Color
1 Amber
2 Red
3 Blue³
4 Green³
5 Clear

6 BASE COLOR²
B Black
W White

7 LAMP VOLTAGE
N None C 28V Incandescent
A 6V Incandescent J 125V Neon
B 12V Incandescent K 250V Neon

8 ROCKER FACE LEGEND
N No imprinting F O (on rocker end)
A On-Off (vertical) G II-O-I (vertical)
B On-Off (horizontal) H II-O-I (horizontal)
D I-O (horizontal) J Off-On (vertical)
E I-O (vertical) K Off-On (horizontal)

Notes:
1 For additional rating requirements, consult factory.
2 Custom colors are available, consult factory.
3 Not recommended with Neon Lamps



*Manufacturer reserves the right to change product specification without prior notice.

Authorized Sales Representatives

Click on the group name on the map below to find your local representative or visit www.carlingtech.com/findarep.



About Carling

Founded in 1920, Carling Technologies is a leading manufacturer of electrical and electronic switches and assemblies, circuit breakers, electronic controls, power distribution units, and multiplexed power distribution systems. With four ISO registered manufacturing facilities and technical sales offices worldwide, Carling Technologies Sales, Service and Engineering teams do much more than manufacture electrical components, they engineer powerful solutions! To learn more about Carling please visit www.carlingtech.com/company-profile.

To view all of Carling’s environmental, quality, health & safety certifications please visit www.carlingtech.com/environmental-certifications

Worldwide Headquarters

Carling Technologies, Inc.
60 Johnson Avenue, Plainville, CT 06062
Phone: 860.793.9281 **Fax:** 860.793.9231
Email: sales@carlingtech.com

Northern Region Sales Office: nrsm@carlingtech.com
Southeast Region Sales Office: sersm@carlingtech.com
Midwest Region Sales Office: mrrsm@carlingtech.com
West Region Sales Office: wrsm@carlingtech.com
Latin America Sales Office: larsm@carlingtech.com

Asia-Pacific Headquarters

Carling Technologies, Asia-Pacific Ltd.,
Kowloon, Hong Kong
Phone: Int + 852-2737-2277 **Fax:** Int + 852-2736-9332
Email: sales@carlingtech.com.hk

Shenzhen, China: shenzhen@carlingtech.com
Shanghai, China: shanghai@carlingtech.com
Pune, India: india@carlingtech.com
Kaohsiung, Taiwan: taiwan@carlingtech.com
Yokohama, Japan: japan@carlingtech.com

Europe | Middle East | Africa Headquarters

Carling Technologies LTD
4 Airport Business Park, Exeter Airport,
Clyst Honiton, Exeter, Devon, EX5 2UL, UK
Phone: Int + 44 1392.364422 **Fax:** Int + 44 1392.364477
Email: ltd.sales@carlingtech.com

Germany: gmbh@carlingtech.com
France: sas@carlingtech.com



Carling Technologies™

Innovative Designs. Powerful Solutions.