

LTA-Series

Single Pole Lighted Rocker Switches

The illuminated predecessor to the Corvette series whose versatility has allowed it to stand the test of time. Traditional styling coupled with self cleaning contacts, integrated wire leads, and various actuator choices has made the LTA-Series appeal to a wide range of markets including Appliance, HVAC, Food service, Transportation, and sundry other markets as well.



Carling Technologies®

Innovative Designs. Powerful Solutions.

Innovative Designs. Powerful Solutions.

Carling Technologies, Inc.
60 Johnson Avenue • Plainville, CT 06062-1177
Phone: (860) 793-9281 • Fax: (860) 793-9231
Email: sales@carlingtech.com • www.carlingtech.com

Dielectric Strength

UL/CSA:
1000V - live to dead metal parts
750V - across open contacts

Electrical Life

100,000 cycles

Mechanical Life

100,000 cycles

Operating Temperature

32°F to 185°F (0°C to 85°C)

LTA201 - P R - B -A 125N

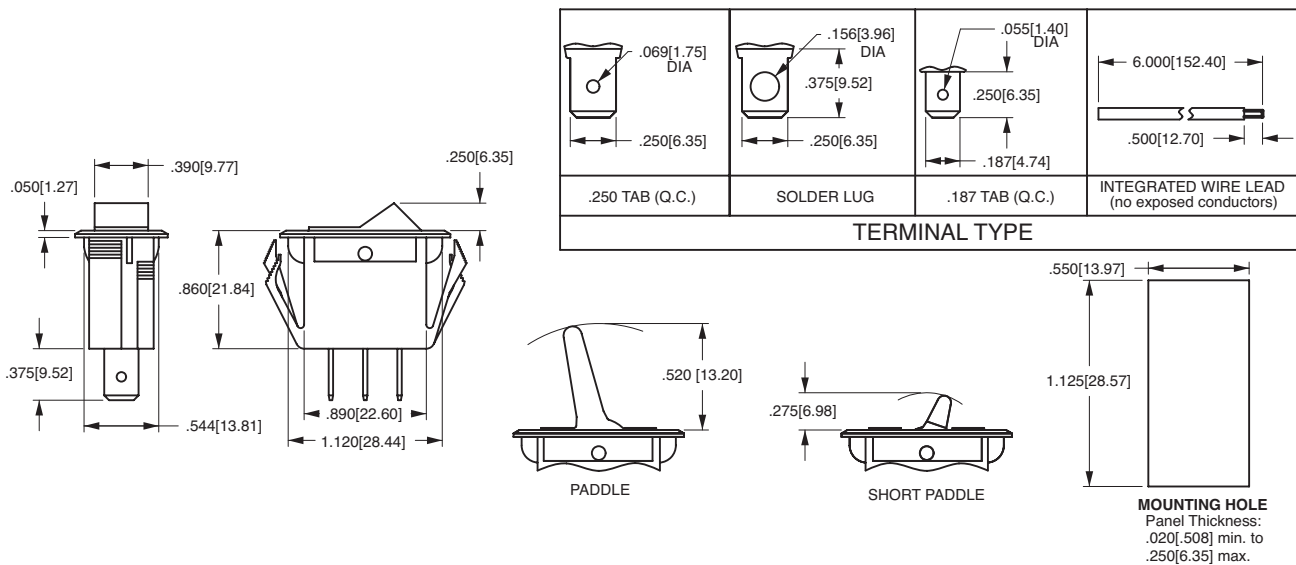
1 Base Part Number 2 Actuator Style 3 Actuator Color 4 Bezel Color/Style 5 Lens Color 6 Lamp Voltage

1 BASE PART NUMBER: SERIES/CIRCUITRY/RATING¹/TERMINATION 10A 250VAC; 15A 125VAC; 3/4 HP 125-250VAC			
OFF-NONE-ON	Solder Lugs LTA200	.250 Tabs LTA201	.187 Tabs LTA203
			Wire Leads LTA205
2 ACTUATOR STYLE³			
T	Rocker	PS	Short Paddle
P	Paddle		
2 ACTUATOR STYLE¹			
A	Amber	R	Red
C	Clear	G	Green ²

4 BEZEL COLOR¹			
B	Black	W	White
5 LENS COLOR^{2,3}			
/	No Lens	-G	Green
-A	Amber	-R	Red
-C	Clear	-LU	Blue
6 LAMP VOLTAGE²			
006V	6V incandescent	024V	24V incandescent
012V	12V incandescent	125N	125V neon
018V	18V incandescent	250N	250V neon

Notes:

- 1 Additional ratings and colors are available. Consult factory for details.
- 2 Neon lamps not recommended with green or blue rocker/lenses.
- 3 Lens color is specified only if actuator style is P or PS. If style is T (rocker), then use / as the code in position 5.



*Manufacturer reserves the right to change product specification without prior notice.