

TLG-Series Rocker Switches



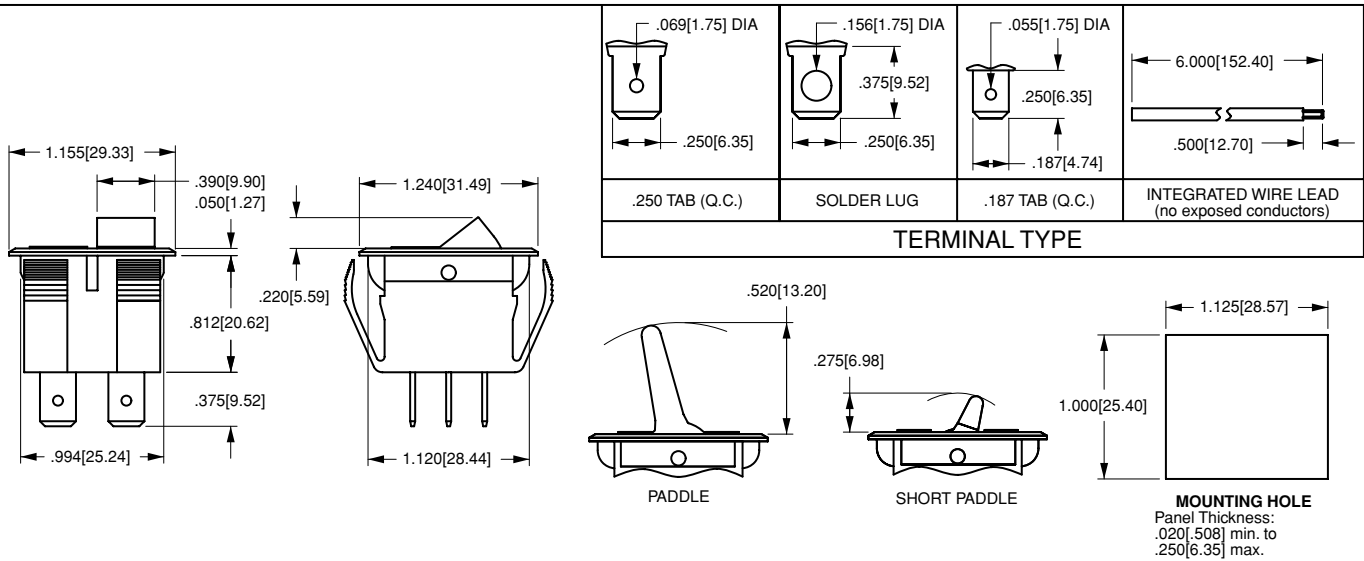
The TLG-Series Mini Tippette snap-in rocker switches are single pole, rocker or paddle actuated with an adjacent indicator light. These single-actuator-switches are AC rated to 20 amps and are also suitable for low voltage DC applications, in a wide range of markets including Appliance, HVAC, Food service and Transportation.

Dielectric Strength
UL/CSA:
1000V - live to dead metal parts

Electrical Life
50,000 cycles- maintained
25,000 cycles- momentary

Mechanical Life
100,000 cycles

Operating Temperature
32°F to 150°F (0°C to +65.6°C)



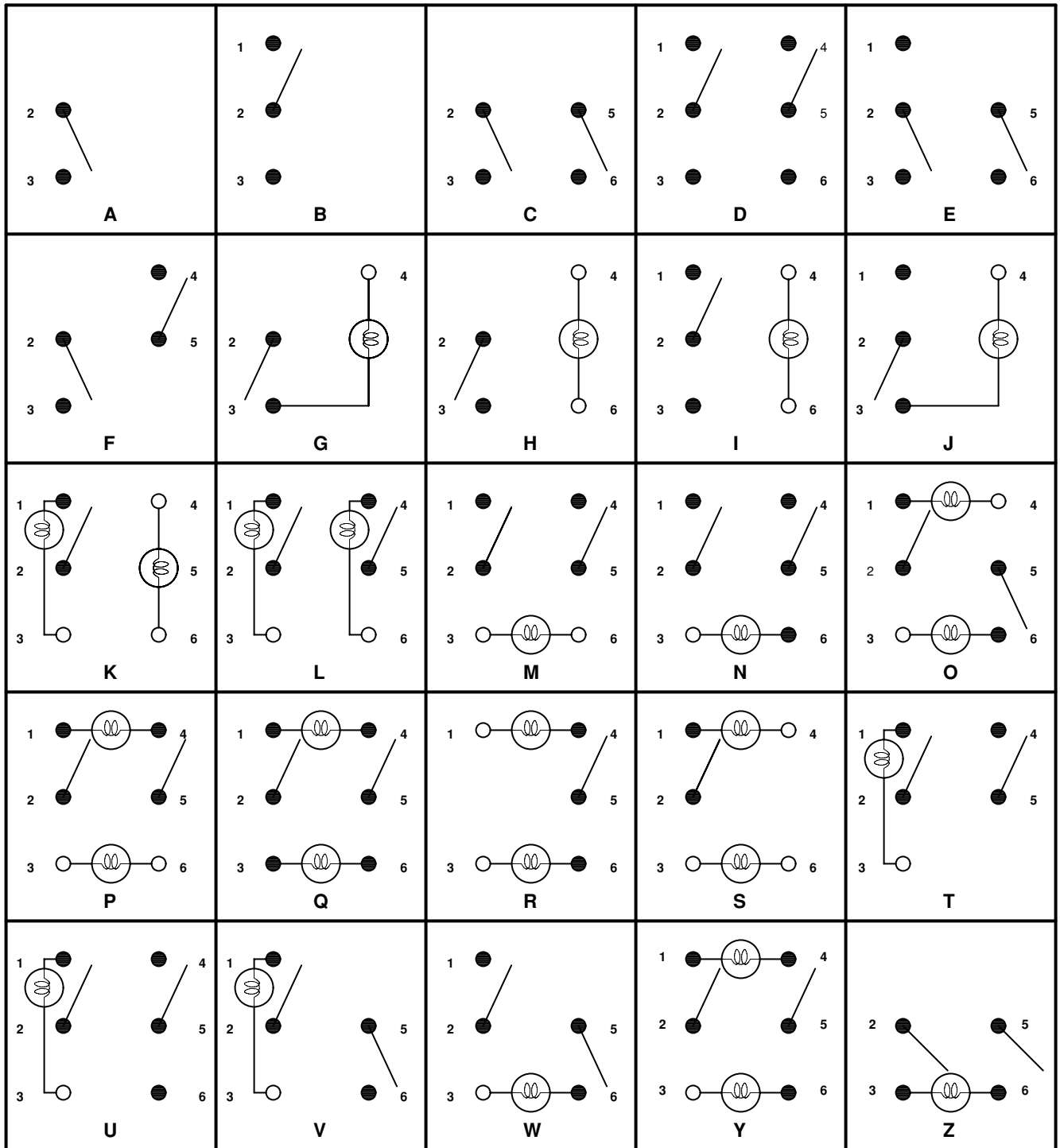
TLG - G - D - R - TA - 20 - 1 - T - B - B - / - 125N

1 Base Part Number 2 Circuit 3 Lens Design 4 Lens Color 5 Basic Switch Number 6 Rating 7 Termination / Function 8 Actuator Style 9 Actuator Color 10 Base Color 11 Lens Color 12 Lamp Voltage

1 BASE PART NUMBER: SERIES TLG Single Pole with adjacent Indicator Light	
2 CIRCUIT¹ See Circuit Designation Chart Page 17.	
3 LENS DESIGN D diamond L long Line	
4 LENS COLOR A amber G green W white C clear R red	
5 BASIC SWITCH NUMBER² TA ON-NONE-OFF TC ON-OFF-ON TB ON-NONE-ON LTA OFF-NONE-ON, lighted	
6 RATING 10 5A 250VAC, 10A 125VAC, 1/2HP 125-250VAC 11 5A 250VAC, 10A 125VAC, 5A 125VAC L 20 10A 250VAC, 15A 125VAC, 3/4HP 125-250VAC 21 10A 250VAC, 15A 125VAC 22 10A 250VAC, 15A 125VAC, 20A 125-250VAC H, 3/4HP 125-250VAC	

7 TERMINATION/FUNCTION					
	solder lug	.250 tab QC	.187 tab QC	wire leads	
ON-NONE-OFF	0	1	3	5	
(ON)-NONE-OFF	A	B	D	F	
ON-NONE-(OFF)	L	M	R	T	
ON-NONE-ON	0	1	3	5	
ON-NONE-(ON)	A	B	D	F	
ON-OFF-ON	0	1	3	5	
8 ACTUATOR STYLE					
P	paddle	PS	short paddle	T	rocker
9 ACTUATOR COLOR³					
unlighted			lighted²		
B	black	A	amber		
W	white	C	clear		
		G	green		
		LU	blue		
		R	red		
10 BASE COLOR³					
B	black	W	white		
11 LENS COLOR^{2,4}					
A	amber	G	green	R	red
C	clear	LU	blue	W	white
12 LAMP VOLTAGE					
incandescent			neon²		
6V	6 volt	125N	125 volt neon		
12V	12 volt	250N	250 volt neon		
18V	18 volt				
24V	24 volt				
28V	28 volt				

NOTES:
Imprinting is available. Consult factory.
Panel Cut-Out Recommendations: For sheet metal panels, switch must enter panel in same direction as the punch. (Burr on bottom.) Test cut hole in actual material.
1 Available with circuits G, H, I, J, K.
2 Neon lamps (125V or 250V) not recommended with green or blue actuators and lenses.
3 Custom colors are available. Consult factory.
4 Specify lens color only if Basic Switch Number is LTA (lighted). If not, leave blank.
() Indicates momentary function.



● CONTACT TERMINAL
Will make contact with switching lever

● CONTACT TERMINAL AND SWITCH LEVER

○ ISOLATED TERMINAL
Does not make contact with switching lever

⊗ BULB