

P27-Series

P27-Series

PUSHBUTTON SWITCHES

The P27-Series pushbutton switches are single pole, AC rated switches suitable for general purpose applications with a shallow back panel. These switches are momentary action with a medium actuation force (26 oz. typical). The P27-Series switch is equipped with a slow-make, slow-break contact mechanism, rated at 6 amps with a nylon concave pushbutton.



Product Highlights:

- ♦ Ratings to 6A 125VAC 3A 277VAC
- ♦ Momentary On or Momentary Off circuitry
- ♦ .250 Tab, Solder Lug or Wire Lead terminations
- ♦ Shallow space saving envelope

Typical Applications:

- ♦ Intercoms
- ♦ Security System
- ♦ Electronic Signs
- ♦ Marine



Dielectric Strength

UL/CSA: 1000V - live to dead metal parts

Electrical Life

25,000 cycles

Mechanical Life

100,000 cycles

Operating Temperature

32°F to 185°F (0°C to 85°C)

P27A - **BL**

1
Base Part Number

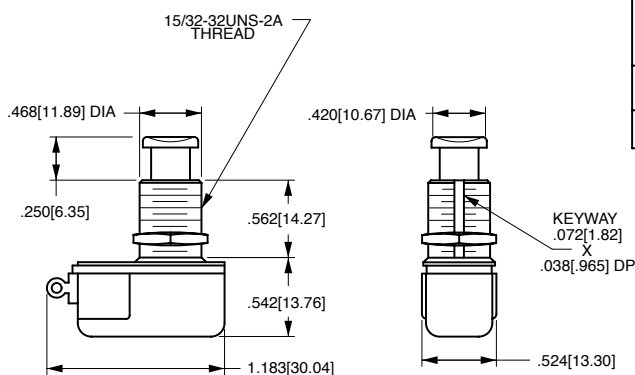
2
Button Color

| 1 BASE PART NUMBER: SERIES / POLES / CIRCUITRY / RATING / TERMINATION | | | |
|---|------------|----------|------------|
| Single Pole | Solder Lug | .250 Tab | Wire Leads |
| 3A 250VAC, 6A 125 VAC, 3/4A 125V | P27A | P27B | P27F |
| Off - (On) | P27L | - | P27T |
| On - (Off) | | | |

3 BUTTON STYLE / COLOR

| | |
|----|-------|
| BL | Black |
| RD | Red |
| WH | White |

Notes:
() Indicates momentary function.



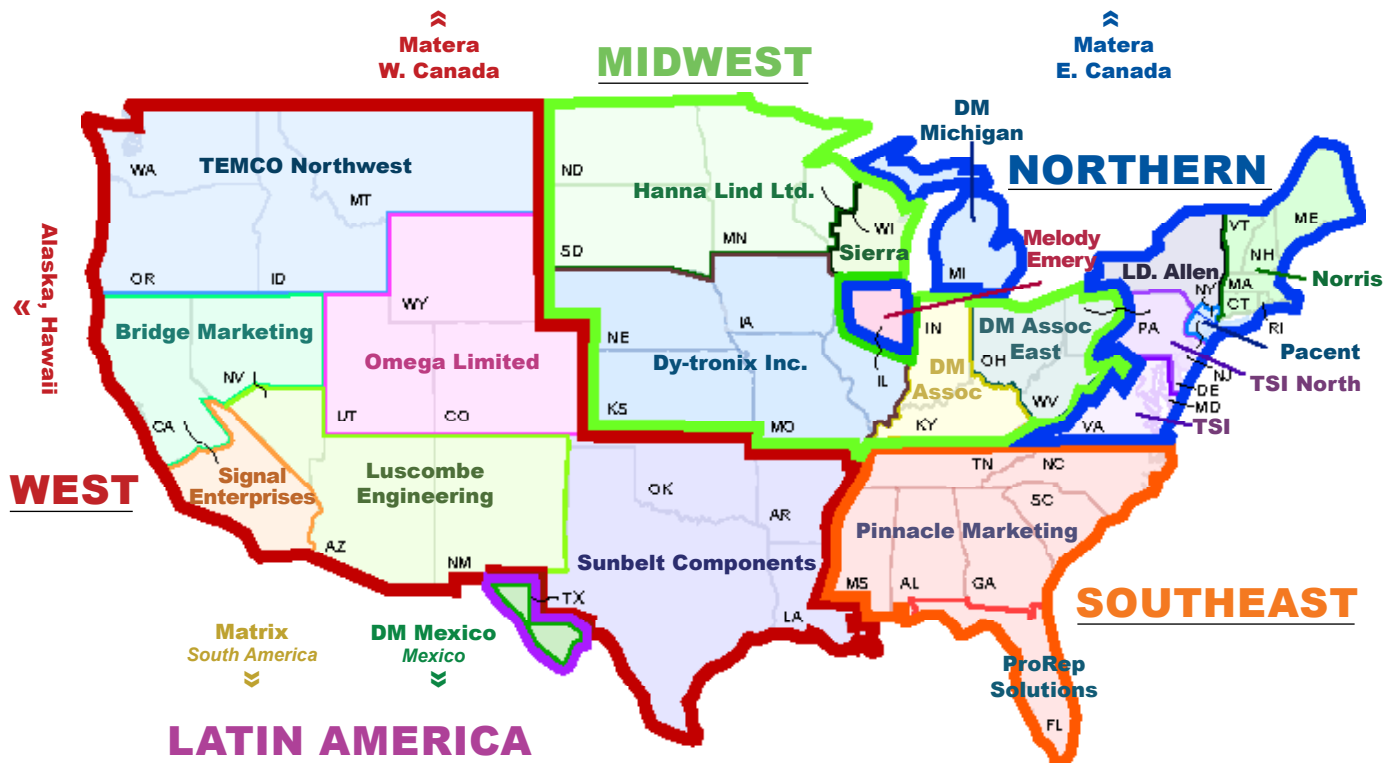
| | | |
|---------------|--|---|
| | | |
| SOLDER LUG | .250 TAB (Q.C.) (Momentary ON only) | INTEGRATED WIRE LEAD (no exposed conductors) |
| TERMINAL TYPE | | |



*Manufacturer reserves the right to change product specification without prior notice.

Authorized Sales Representatives

Click on the group name on the map below to find your local representative or visit www.carlingtech.com/findarep.



About Carling

Founded in 1920, Carling Technologies is a leading manufacturer of electrical and electronic switches and assemblies, circuit breakers, electronic controls, power distribution units, and multiplexed power distribution systems. With four ISO registered manufacturing facilities and technical sales offices worldwide, Carling Technologies Sales, Service and Engineering teams do much more than manufacture electrical components, they engineer powerful solutions! To learn more about Carling please visit www.carlingtech.com/company-profile.

To view all of Carling’s environmental, quality, health & safety certifications please visit www.carlingtech.com/environmental-certifications

Worldwide Headquarters

Carling Technologies, Inc.
60 Johnson Avenue, Plainville, CT 06062
Phone: 860.793.9281 **Fax:** 860.793.9231
Email: sales@carlingtech.com

Northern Region Sales Office: nrsm@carlingtech.com
Southeast Region Sales Office: sersm@carlingtech.com
Midwest Region Sales Office: mrsrm@carlingtech.com
West Region Sales Office: wrsm@carlingtech.com
Latin America Sales Office: larsm@carlingtech.com

Asia-Pacific Headquarters

Carling Technologies, Asia-Pacific Ltd.,
Kowloon, Hong Kong
Phone: Int + 852-2737-2277 **Fax:** Int + 852-2736-9332
Email: sales@carlingtech.com.hk

Shenzhen, China: shenzhen@carlingtech.com
Shanghai, China: shanghai@carlingtech.com
Pune, India: india@carlingtech.com
Kaohsiung, Taiwan: taiwan@carlingtech.com
Yokohama, Japan: japan@carlingtech.com

Europe | Middle East | Africa Headquarters

Carling Technologies LTD
4 Airport Business Park, Exeter Airport,
Clyst Honiton, Exeter, Devon, EX5 2UL, UK
Phone: Int + 44 1392.364422 **Fax:** Int + 44 1392.364477
Email: ltd.sales@carlingtech.com

Germany: gmbh@carlingtech.com
France: sas@carlingtech.com



Carling Technologies™

Innovative Designs. Powerful Solutions.