

# 110-Series

## HEAVY ACTION TOGGLE SWITCHES

The 110-Series is a compactly designed, versatile metal construction toggle switch which is appropriate for a variety of uses. Features include single or double pole options, maintained or momentary construction with termination choices including solder lug end or bottom, wire leads and .250 tab terminals. The quick make/quick break contact mechanism makes the switch suitable for high voltage (125-250 volt) applications.



### Product Highlights:

- ♦ 125/250V AC or DC rated
- ♦ Compact space saving envelope
- ♦ Single or double pole
- ♦ 2 position Maintained or Momentary circuits

### Typical Applications:

- ♦ Small Appliance
- ♦ Floor Maintenance
- ♦ Lighting



### Dielectric Strength

UL/CSA: 1000V - live to dead metal parts & opposite polarity

### Electrical Life

25,000 cycles

### Mechanical Life

100,000 cycles

### Operating Temperature

0°F to 150°F (-17.8°C to +65.6°C)

**110-S - 73**

<sup>1</sup> Base Part Number

<sup>2</sup> Actuator Style

#### 1 BASE PART NUMBER: SERIES / CIRCUITRY <sup>1</sup> / RATING / TERMINATION <sup>2</sup>

##### 3A 250V, 6A 125V, AC/DC

	Solder Lug (end)	Solder Lug (bottom)	Screw Terminals	Wire Leads
<b>Single Pole</b>				
On-None-Off	110	110-B	110-S	111-16
Off-None-(On)	110-M-NO	110-BM-NO	110-SM-NO	111-16M-NO
On-None-(Off)	110-M-NC	110-BM-NC	110-SM-NC	111-16M-NC
<b>Double Pole</b>				
On-None-Off	2BK62	-	-	2BK65
On-None-On	2BL62	-	-	2BL65

##### 1A 250V, 3A 125V, AC/DC

<b>Single Pole</b>				
On-None-On	112	-	-	112-A
On-None-(On)	112-M	-	-	112-M-A
<b>Double Pole</b>				
On-None-Off	216	-	-	216A
Off-None-(On)	216-M-NO	-	-	216A-M-ANO
On-None-(Off)	216-M-NC	-	-	216A-M-ANC
On-None-On	316	316-B	-	-
On-None-(On)	316-M	316-BM	-	-

##### 2 circuit

1 On - 1 Off	516	516-B	-	516-A
1 (On) - 1 (Off)	516-M	516-BM	-	516-AM

##### 6A 120VAC

<b>Single Pole</b>				
On-None-On	2BB62	-	-	2BB65

##### 5A 250V, 10A 125V, 1/4HP, 125V

<b>Single Pole</b>				
On-None-Off	160H	160H-B	160H-S	160H-A

#### 2 ACTUATOR STYLE

##### BAT STYLE TOGGLE

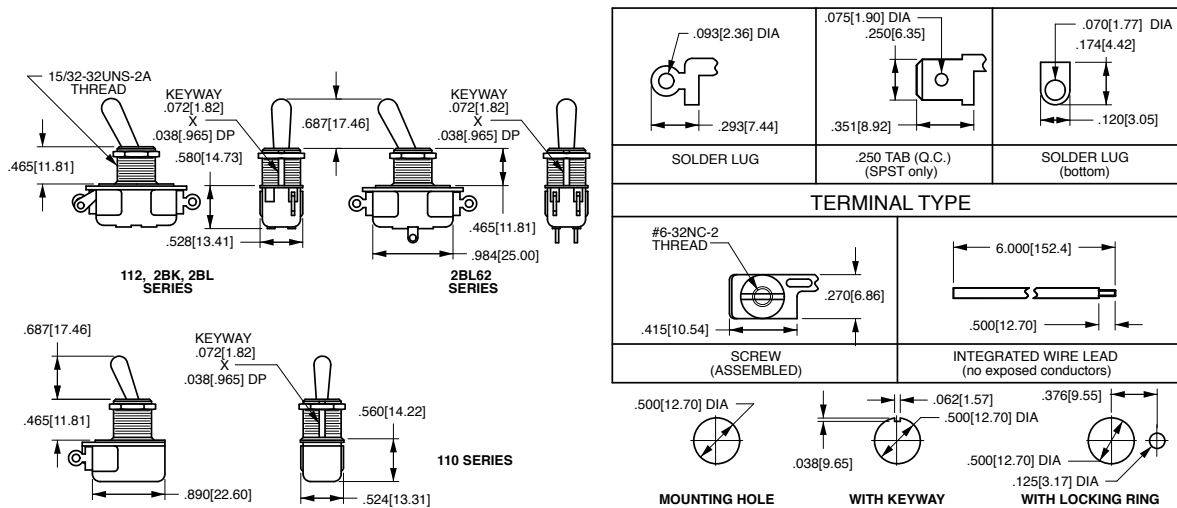
unsealed	sealed	toggle length	bushing length
52	57	0.375	0.343
63	68	0.500	0.465
73	78	0.687	0.46555

##### BALL STYLE TOGGLE

unsealed	sealed	toggle length	bushing length
21	-	0.375	0.250
22	-	0.375	0.343
25	-	0.375	0.875

#### Notes:

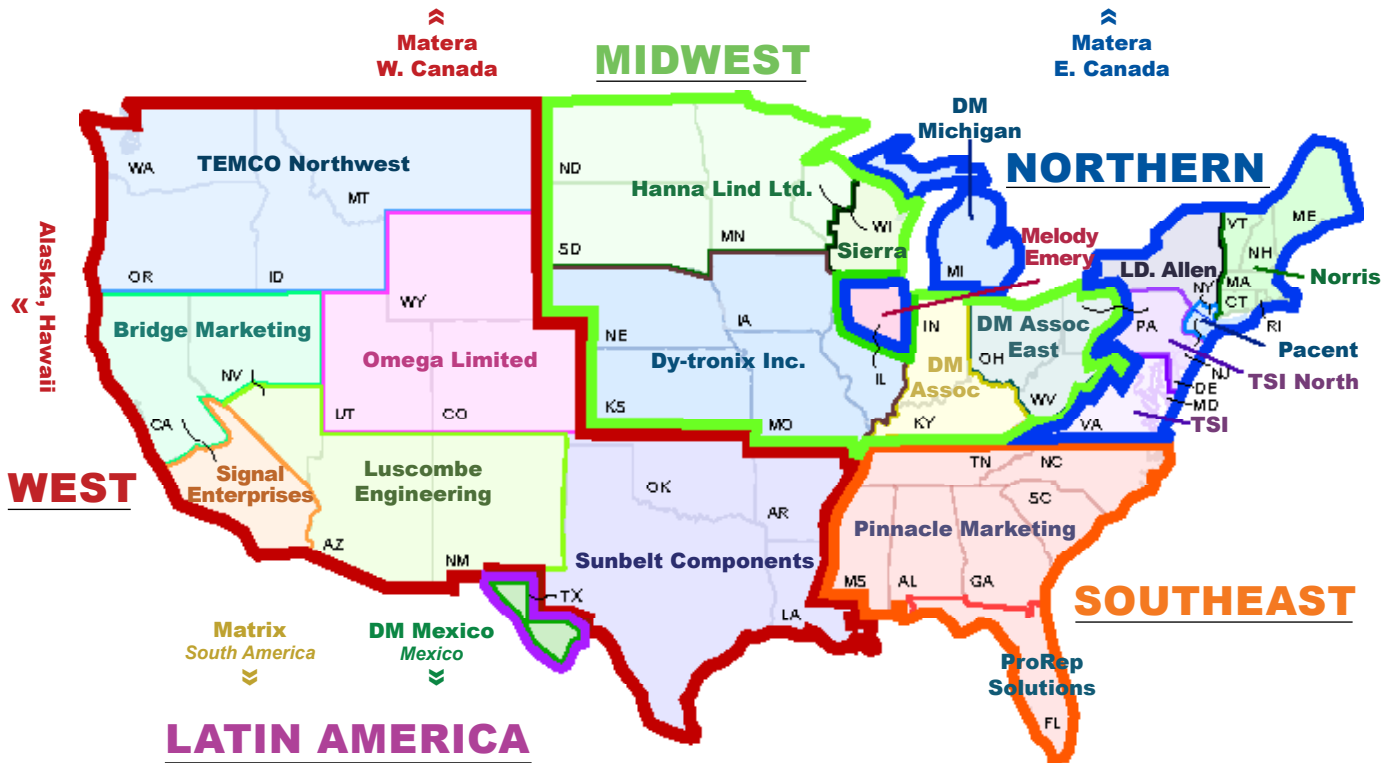
- Momentary function only available with 73 toggles.
  - 160H and 110-Series are available with .250 tab terminals. Add suffix /TABS to end of part number. ex. 110-73/TABS
- ( ) Indicates momentary function.



\*Manufacturer reserves the right to change product specification without prior notice.

## Authorized Sales Representatives

Click on the group name on the map below to find your local representative or visit [www.carlingtech.com/findarep](http://www.carlingtech.com/findarep).



## About Carling

Founded in 1920, Carling Technologies is a leading manufacturer of electrical and electronic switches and assemblies, circuit breakers, electronic controls, power distribution units, and multiplexed power distribution systems. With four ISO registered manufacturing facilities and technical sales offices worldwide, Carling Technologies Sales, Service and Engineering teams do much more than manufacture electrical components, they engineer powerful solutions! To learn more about Carling please visit [www.carlingtech.com/company-profile](http://www.carlingtech.com/company-profile).

To view all of Carling’s environmental, quality, health & safety certifications please visit [www.carlingtech.com/environmental-certifications](http://www.carlingtech.com/environmental-certifications)

## **Worldwide Headquarters**

Carling Technologies, Inc.  
60 Johnson Avenue, Plainville, CT 06062  
**Phone:** 860.793.9281 **Fax:** 860.793.9231  
**Email:** sales@carlingtech.com

**Northern Region Sales Office:** nrsm@carlingtech.com  
**Southeast Region Sales Office:** sersm@carlingtech.com  
**Midwest Region Sales Office:** mrsrm@carlingtech.com  
**West Region Sales Office:** wrsm@carlingtech.com  
**Latin America Sales Office:** larsm@carlingtech.com

## **Asia-Pacific Headquarters**

Carling Technologies, Asia-Pacific Ltd.,  
Kowloon, Hong Kong  
**Phone:** Int + 852-2737-2277 **Fax:** Int + 852-2736-9332  
**Email:** sales@carlingtech.com.hk

**Shenzhen, China:** shenzhen@carlingtech.com  
**Shanghai, China:** shanghai@carlingtech.com  
**Pune, India:** india@carlingtech.com  
**Kaohsiung, Taiwan:** taiwan@carlingtech.com  
**Yokohama, Japan:** japan@carlingtech.com

## **Europe | Middle East | Africa Headquarters**

Carling Technologies LTD  
4 Airport Business Park, Exeter Airport,  
Clyst Honiton, Exeter, Devon, EX5 2UL, UK  
**Phone:** Int + 44 1392.364422 **Fax:** Int + 44 1392.364477  
**Email:** ltd.sales@carlingtech.com

**Germany:** gmbh@carlingtech.com  
**France:** sas@carlingtech.com



**Carling Technologies™**

Innovative Designs. Powerful Solutions.