

651/652-Series

Sub-Miniature Rocker Switches

This sub-miniature switch is ideal for applications with back panel size constraints. It fits in a standard rectangular cutout & is designed to provide ease of insertion along with superior panel retention qualities. A high profile rocker & butt-action contacts provide the user with a crisp positive-type feel & electrical ratings to 12A 125VAC 10A 250VAC. A variety of ratings, circuitry & termination choices will appeal to many market segments including Handheld Appliance, Power Supplies, Audio-Visual & Telecom.



Carling Technologies®

Innovative Designs. Powerful Solutions.

Innovative Designs. Powerful Solutions.

Carling Technologies, Inc.
60 Johnson Avenue • Plainville, CT 06062-1177
Phone: (860) 793-9281 • Fax: (860) 793-9231
Email: sales@carlingtech.com • www.carlingtech.com

Dielectric Strength

UL/CSA:
1000V-live to dead metal parts

Electrical Life

100,000 cycles- maintained
50,000 cycles- momentary
50,000 cycles- T-rating

Mechanical Life

100,000 cycles

Operating Temperature

32°F to 185°F (0°C to 85°C)

651 **122** - **B** **B** - **A** **N**

1 Series 2 Circuit/Rating/Termination 3 Actuator Color 4 Base Color 5 Legend 6 Visi-Rocker End/Legend Color

1 SERIES	
651 Matte Finish	652 Gloss Finish

4 BASE COLOR	
B Black	W White

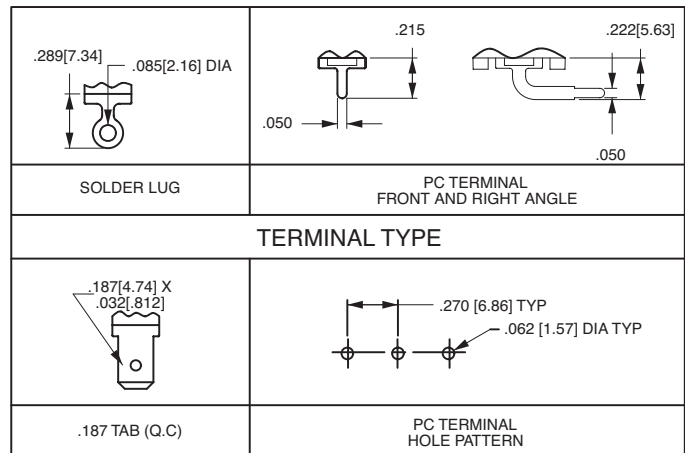
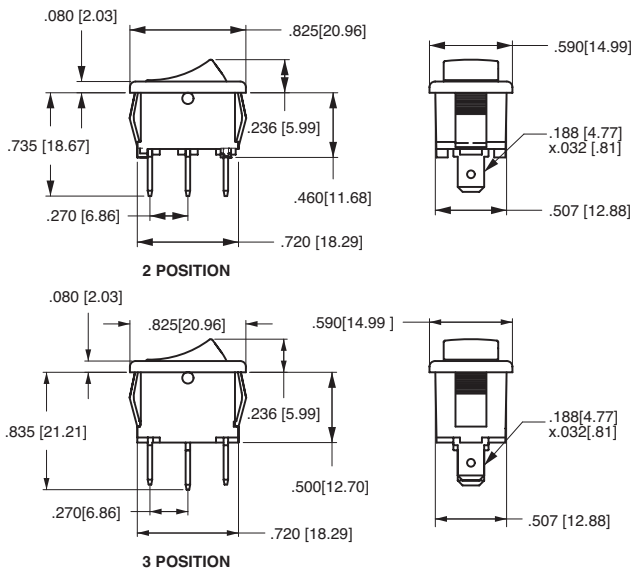
2 CIRCUITRY/RATING/TERMINATION					
10A 250VAC, 10A 125VAC, 1/4 HP, 125-250 VAC					
	.187 Solder Lugs	.187 Tabs	PC Terms	PC Rt. Angle	Wire Leads
ON-NONE-OFF	121	122	123	124	125
(ON)-NONE-OFF	261 ¹	262	263	264	265
ON-NONE-(OFF)	361 ¹	362	363	364	365
ON-NONE-ON	421	422	423	424	425
ON-NONE-(ON)	561 ¹	562	563	564	565
ON-OFF-ON	681 ²	682	683	684	686
ON-OFF-(ON)	781 ²	782	783	784	785
(ON)-OFF-(ON)	881 ²	882	883	884	885

5 ROCKER LEGEND		
	molded in ⁴	hot stamp
NO LEGEND	0	0
Off-On vertical	1	A
Off-On horizontal	-	B
I-O horizontal	8	D
I-O vertical	9	E
O on rocker end	-	F
II-O-I vertical	-	G
II-O-I horizontal	-	H

3 ACTUATOR COLOR	
B Black	W White

6 VISI-ROCKER END/LEGEND COLOR	
N	N/A
B	Black
V	Visi-red
W	White

Notes:
Additional ratings (including 14V T) & color options are available; Consult factory.
1 Rated 12A 125VAC, 6A 250 VAC, 1/4HP 125-250VAC.
2 Rated 8A 125-250VAC, 1/4HP 125-250VAC.
3 Additional colors available. Consult factory for details.
4 Available with Visi-Rocker option only.
() Indicates momentary function.



RECOMMENDED PANEL OPENING	PANEL THICKNESS		A	B	TEST CUT HOLE IN ACTUAL MATERIAL
	.030 [.76]	-.050 [1.27]	.508 [12.90]	.756 [19.20]	$\begin{matrix} +.005 [.00] \\ - .004 [.10] \end{matrix}$
	.050 [1.27]	-.078 [1.98]	.508 [12.90]	.764 [19.40]	
	.078 [1.98]	-.125 [3.17]	.508 [12.90]	.780 [19.81]	

*Manufacturer reserves the right to change product specification without prior notice.