

RR/LRR

RR/LRR-Series

ROUNDED ROCKER SWITCHES

Carling Technologies' RR and LRR-Series round rocker switches feature a uniquely sculpted rocker design with electrical ratings of up to 12A 125VAC, 10A 250VAC and fit an industry standard cutout, making installation a snap. The lighted LRR-Series can be wired to accommodate dependent or independent, illumination, neon or incandescent lamps with red, green, amber or white translucent rockers. Standard or custom actuator legends are available.



Product Highlights:

- ◆ 125/250VAC or low voltage 12/24VDC
- ◆ Neon or Incandescent Illumination
- ◆ Industry Std. 20.2mm mounting hole
- ◆ Maintained or momentary circuitry

Typical Applications:

- ◆ Appliance
- ◆ Vacuum Cleaners
- ◆ Office Automation
- ◆ Food Service
- ◆ Audio Visual
- ◆ Test & Measurement



Dielectric Strength

UL/CUL:
1000V-live to dead metal parts
& opposite polarity

Electrical Life

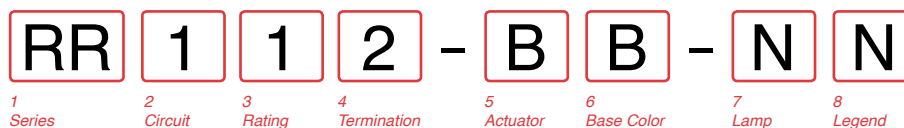
50,000 cycles

Mechanical Life

100,000 cycles

Operating Temperature

32°F to 185°F (0°C to 85°C)



1 SERIES
RR Rocker
LRR Lighted Rocker

2 CIRCUIT
1 On-None-Off
2 (On)-None-Off
3 On-None-(Off)
4 On-None-On
5 On-None-(On)
6 On-Off-On

3 RATING
1¹ 10A, 125-250VAC; 12A 125 VAC
1/4 HP 125-250 VAC
3 6A, 28 VDC
4 12A, 12 VDC
5 12A, 6 VDC

4 TERMINATION
2 .187 Tab

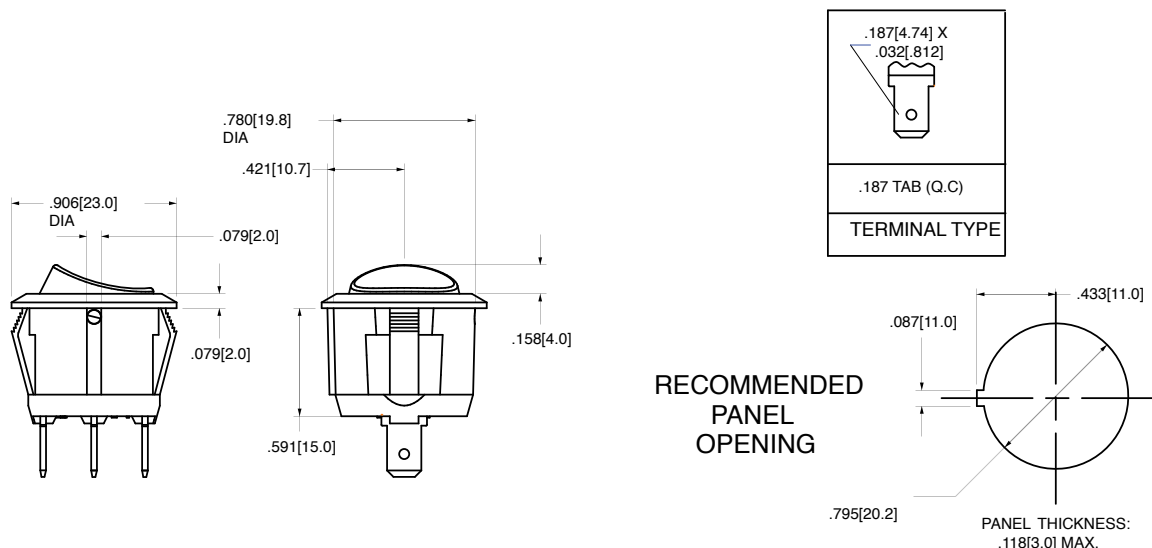
5 ACTUATOR COLOR
RR-Series (Non-Illuminated) Solid Color
B Black
W White
R Red
LRR-Series (Illuminated) Transparent Color
1 Amber
2 Red
3 Blue
4 Green
5 Clear

6 BASE COLOR
B Black
W White
R Red

7 LAMP VOLTAGE
N None
A 6V Incandescent
B 12V Incandescent
C 28V Incandescent
J² 125V Neon
K² 250V Neon
1³ 6V LED
2³ 12V LED
3³ 24V LED

8 ROCKER FACE LEGEND
N No imprinting
A On-Off (vertical)
B On-Off (horizontal)
D I-O (horizontal)
E I-O (vertical)
F O (on rocker end)
G II-O-I (vertical)
H II-O-I (horizontal)
J Off-On (vertical)
K Off-On (horizontal)

Notes:
1 Rating Code "1" has UL and cUL approval.
2 Neon Lamps (125 or 250 Volts) not recommended with green or blue actuators.
3 LED illumination (6V, 12V or 24V) not recommended with blue or clear actuators.



*Manufacturer reserves the right to change product specification without prior notice.

Authorized Sales Representatives and Distributors

Click on a region of the map below to find your local representatives and distributors or visit www.carlingtech.com/findarep.



About Carling

Founded in 1920, Carling Technologies is a leading manufacturer of electrical and electronic switches and assemblies, circuit breakers, electronic controls, power distribution units, and multiplexed power distribution systems. With four ISO registered manufacturing facilities and technical sales offices worldwide, Carling Technologies Sales, Service and Engineering teams do much more than manufacture electrical components, they engineer powerful solutions! To learn more about Carling please visit www.carlingtech.com/company-profile.

To view all of Carling's environmental, quality, health & safety certifications please visit www.carlingtech.com/environmental-certifications

Worldwide Headquarters

Carling Technologies, Inc.
60 Johnson Avenue, Plainville, CT 06062
Phone: 860.793.9281 **Fax:** 860.793.9231
Email: sales@carlingtech.com

Northern Region Sales Office: nrsm@carlingtech.com
Southeast Region Sales Office: sersm@carlingtech.com
Midwest Region Sales Office: mrrsm@carlingtech.com
West Region Sales Office: wrsm@carlingtech.com
Latin America Sales Office: larsm@carlingtech.com

Asia-Pacific Headquarters

Carling Technologies, Asia-Pacific Ltd.,
Suite 1607, 16/F Tower 2, The Gateway,
Harbour City, 25 Canton Road,
Tsimshatsui, Kowloon, Hong Kong
Phone: Int + 852-2737-2277 **Fax:** Int + 852-2736-9332
Email: sales@carlingtech.com.hk

Shenzhen, China: shenzhen@carlingtech.com
Shanghai, China: shanghai@carlingtech.com
Pune, India: india@carlingtech.com
Kaohsiung, Taiwan: taiwan@carlingtech.com
Yokohama, Japan: japan@carlingtech.com

Europe | Middle East | Africa Headquarters

Carling Technologies LTD
4 Airport Business Park, Exeter Airport,
Clyst Honiton, Exeter, Devon, EX5 2UL, UK
Phone: Int + 44 1392.364422 **Fax:** Int + 44 1392.364477
Email: ltd.sales@carlingtech.com

Germany: gmbh@carlingtech.com
France: sas@carlingtech.com



Carling Technologies®

Innovative Designs. Powerful Solutions.