



"Millenium Supply" switch mode power supply 89450 with PFC Part number 89450242



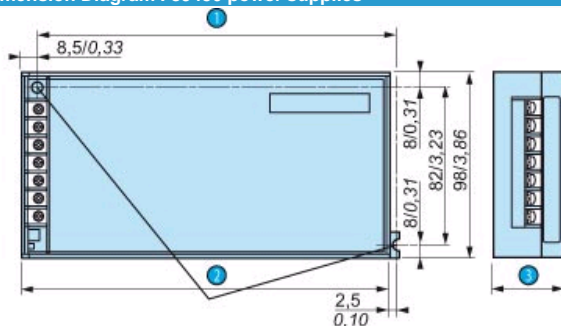
- Electronic and regulated
- 85 to 264 VAC input
- Conforms to global standards
- Incorporated thermal protection
- PFC filter option

Certifications

Conformity to standards	Generic: UL 508, CSA 22.2 no. 60950 Safety: IEC/EN 60950-1 EMC: EN 61000-6-3, EN 61000-6-2 LF harmonic currents: EN 61000-3-2
Output circuit	
Status indication	Green LED
Operating voltage (Ue)	*** TRADUCTION MANQUANTE ***
Nominal output current (A)	5 - 8.3 at 12 V and 2.5 - 4.2 - 6.2 - 10 at 24 V
Output voltage accuracy	± 10%
Line and load regulation	± 3%
Residual ripple	< 200 mV
Protection against short circuits	Continuous, automatic restart
Protection against voltage surges	U > 1, 2U out
Thermal protection	Yes
Input circuit	
Nominal voltage (V)	100→240 VAC (60 and 100W), 115/230 VAC (150 and 240W)
Current consumption (mA)	Ue = 240 2 A (60W) - 0,7 A (100W) - 2,5 A (150W) - 3 A (240W) Ue = 100 2 A (60W) - 1,4 A (100W) - 5 A (150W) - 6 A (240W)
Operating characteristics	
Connection capacity	Input: 2 x 4 mm ² + earth Output: 2 x 4 mm ² (60W) ; doubled for 100, 150 and 240W
Ambient storage temperature (°C)	-25→+85
Relative humidity	20→90% RH
Vibrations	Conforming to EN 61131-2
Temperature Use (°C)	Voir courbes de déclassement
MTBF	>100,000 hr at 100% load (at 40°)
Generic immunities	Conforming to IEC 61000-6-2
Immunity to electrostatic discharges	Conforming to IEC 61000-4-2 level 3 (4 kV contact/8 kV air)
Immunity to electromagnetic discharges	Conforming to IEC 61000-4-3 level 3 (10V/m)
Immunity to conducted disturbances	Conforming to IEC 61000-4-4 level 3 (2 kV), EN 61000-4-5, EN 61000-4-6 level 3, EN 61000-4-8 level 4, IEC/EN 61000-4-12 level 3
Immunity to mains supply disturbances	Conforming to IEC/EN 61000-4-11 (voltage dips and interruptions)
Incorporated input fuse	Yes
Emission	Generic: conforming to EN 61000-6-3
Connections	Conducted/radiated: conforming to EN 55011, EN 55022 c1B
Dielectric strength	Input/output: 3000AC 50/60 Hz 1 min Input/earth: 1500AC 50/60 Hz 1 min Output/earth: 500AC 50/60 Hz 1 min

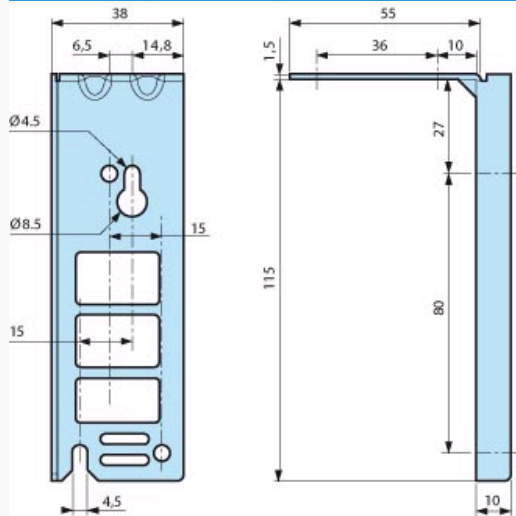
Description	Weight (kg)	Code
Mounting bracket	0.085	26450100
Snap-on plate for 35 mm DIN rail	0.035	26450101

Dimension Diagram : 89450 power supplies

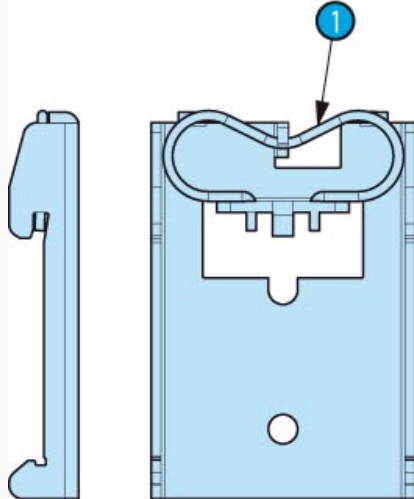


N°	Legend
1	*** TRADUCTION MANQUANTE ***
2	*** TRADUCTION MANQUANTE ***
3	*** TRADUCTION MANQUANTE ***

Dimension Diagram : Mounting bracket

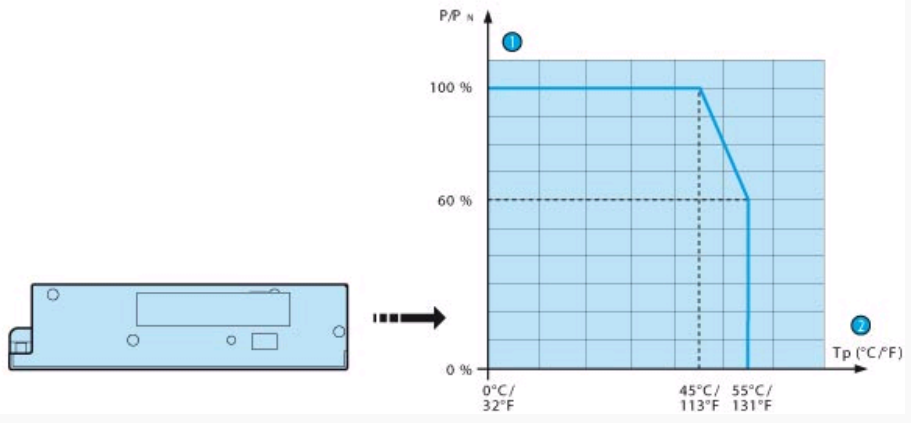
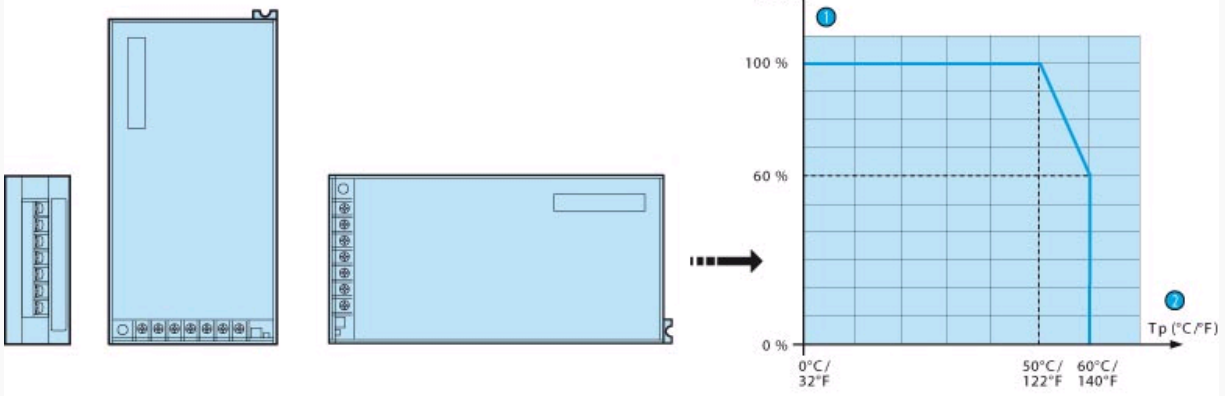


Dimension Diagram : Snap-on plate



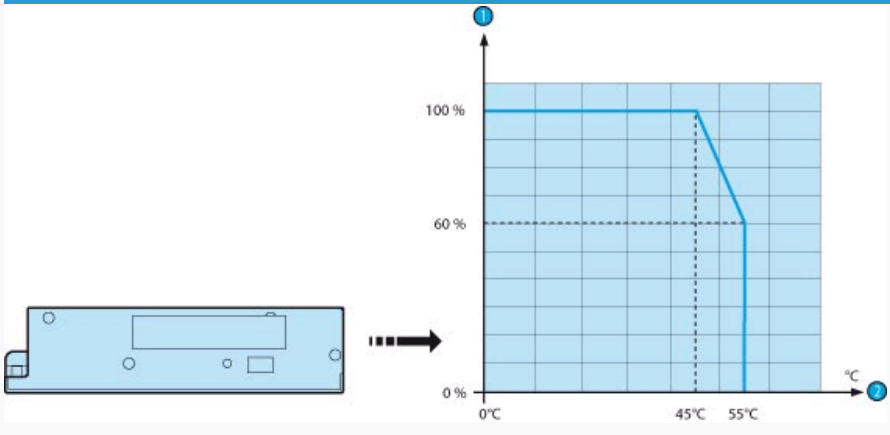
N°	Legend
1	*** TRADUCTION MANQUANTE ***

Curves : *** TRADUCTION MANQUANTE ***



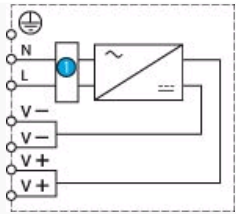
N°	Legend
1	*** TRADUCTION MANQUANTE ***
*** TRADUCTION MANQUANTE ***	*** TRADUCTION MANQUANTE ***

Curves : *** TRADUCTION MANQUANTE ***



N°	Legend
*** TRADUCTION MANQUANTE ***	*** TRADUCTION MANQUANTE ***
*** TRADUCTION MANQUANTE ***	*** TRADUCTION MANQUANTE ***

: 89 450 122 - 89 450 222 - 89 450 232 - 89450 242



N°	Legend
1	PFC filter