

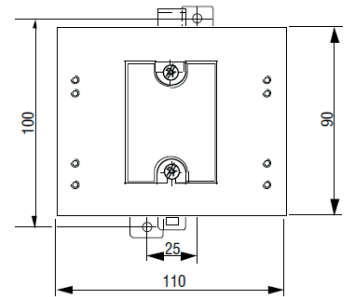
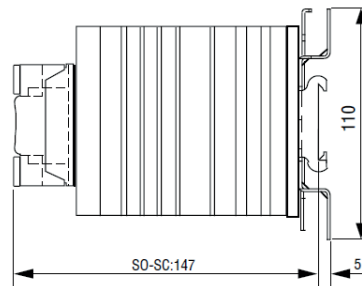
**HEATSINK & MOUNTING KIT**

Selection guide			
Description	Dimensions	Weight	Reference
Heatsink, 0.9 °C/W	110 x 100 x 90 mm	1458 g	<b>26532752N</b>
Heatsink, 1.1 °C/W	89,8 x 81 x 98 mm	485 g	<b>26532753N</b>
Heatsink, 1.2 °C/W	100 x 40 x 100 mm	547 g	<b>26532754N</b>
Heatsink, 1.75 °C/W	45 x 73,5 x 100 mm	355 g	<b>26532755N</b>
Heatsink, 2.2 °C/W	45 x 73,5 x 100 mm	290 g	<b>26532756N</b>
Assembly kit for heatsink 26532764N, Panel Mount	100 x 60 x 10 mm	40 g	<b>26532001</b>

**HEATSINK, 0.9 °C/W**

Reference: **26532752N**

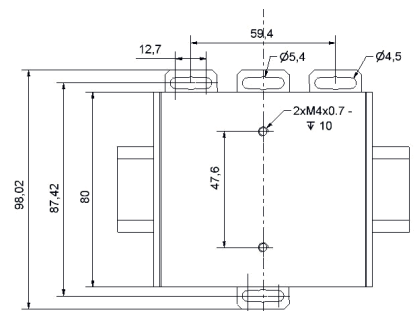
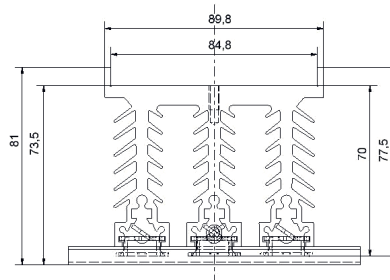
Dimensions: **110 x 100 x 90 mm** | Weight: **1458 g**



**HEATSINK, 1.1 °C/W**

Reference: **26532753N**

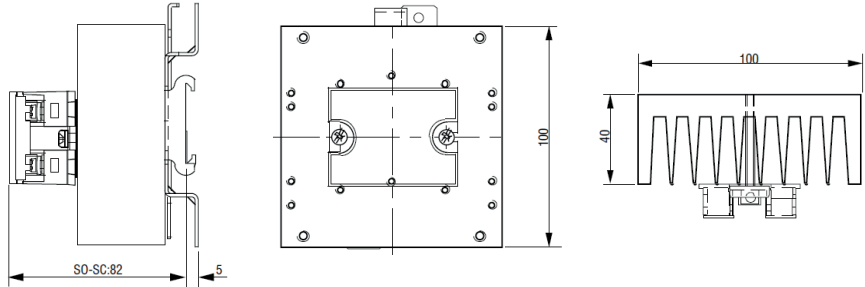
Dimensions: **89,8 x 81 x 98 mm** | Weight: **485 g**



**HEATSINK, 1.2 °C/W**

Reference: **26532754N**

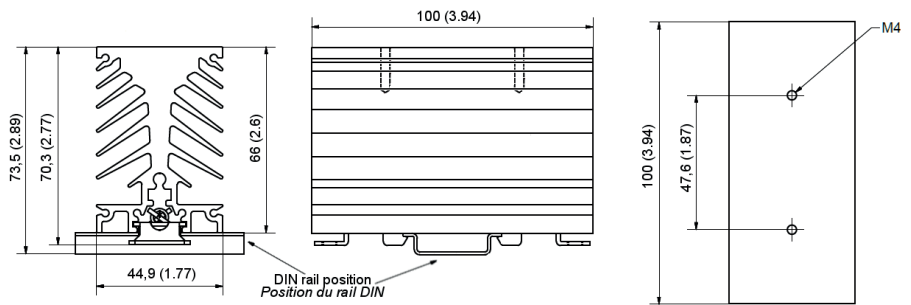
Dimensions: **100 x 40 x 100 mm** | Weight: **547 g**



**HEATSINK, 1.75 °C/W**

Reference: **26532755N**

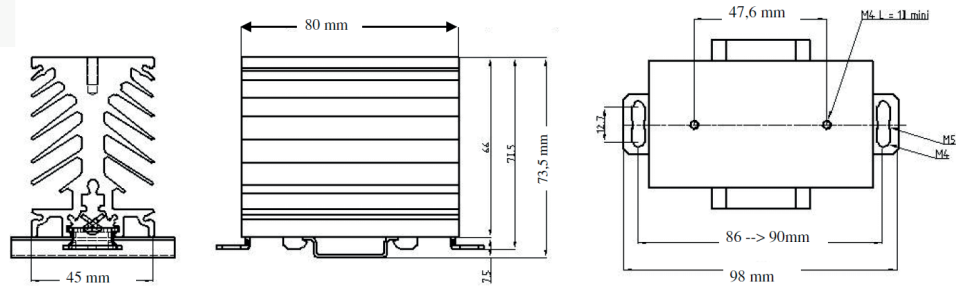
Dimensions: **45 x 73.5 x 100 mm** | Weight: **355 g**



**HEATSINK, 2.2 °C/W**

Reference: **26532756N**

Dimensions: **45 x 73.5 x 100 mm** | Weight: **290 g**



**ASSEMBLY KIT FOR HEATSINK 26532764N, PANEL MOUNT**

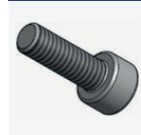
Reference: **26532001**



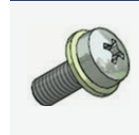
M4x20 (SW3)



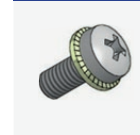
M4x12



Mx8



M4x10



Q7x7 M4



**THERMAL PAD & GREASE**

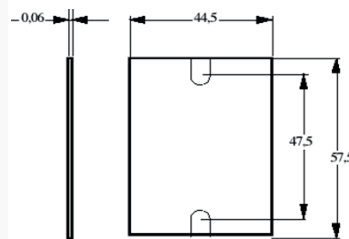
**Selection guide**

Description	Dimensions	Weight	References
Thermal Pad, Pre-cut	44.5 x 57.5 x 0.06 mm	5 g	<b>26532720N</b>
Thermal Pad, Sticker	36.8 x 36.8 x 0.06 mm	5 g	<b>26532722N</b>
Thermal Grease	130 x 55 x 25 mm	70 g	<b>26532003</b>
ID Tag	16 x 8 x 1 mm	1 g	<b>26532004</b>

**THERMAL PAD | PRE-CUT**

Reference: **26532720N**

Dimensions: **44.5 x 57.5 x 0.06 mm** | Weight: **6 g**

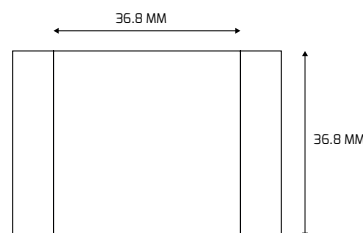


Thickness	0.003" (0.076mm)
Density	2.1 g/cc
Phase change softening temperature	52 °C
Maximum use temperature	200 °C
Thermal Impedance	
@ 5 psi	0.03 °C-in <sup>2</sup> /W
@ 34.5 Kpa	0.193 °C-cm <sup>2</sup> /W

**THERMAL PAD | STICKER**

Reference: **26532722N**

Dimensions: **36.8 x 36.8 x 0.06 mm** | Weight: **5 g**



**THERMAL GREASE**

Reference: **26532003**

Dimensions: **130 x 55 x 25 mm** | Weight: **70 g**

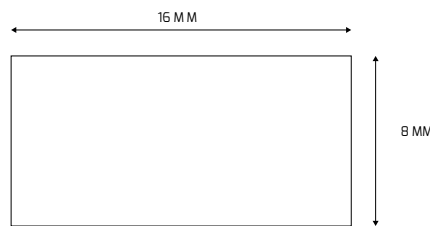


Color	White
Base	Blend of synthetic fluids
Thermo-conductive Component	Powdered metal oxides
Thermal Conductivity	0.9 W/m.k
Density @20 °C	2.04 g/cm <sup>3</sup>
Temperature range	-50 °C → +170 °C
Weight Loss after 168 hours @ 170 °C	0.98 %
Permittivity @ 10 <sup>6</sup> Hz:	4.2
Specific Resistance	1 x 10 <sup>14</sup> Ω/cm
Dielectric Strength	42 kV/mm
Penetration	210-250

**ID TAG**

Reference: **26532004N**

Dimensions: **16 x 8 x 1 mm** | Weight: **1 g**



Only for GNR and GNRS Smart Module

**ADAPTOR**

Selection guide			
Description	Dimensions	Weight	Reference
DIN Rail Adaptor, Panel Mount	110 x 45 x 15 mm	65 g	<b>26532764N</b>

**DIN RAIL ADAPTOR, PANEL MOUNT**

Reference: **26532764N**

Dimensions: **110 x 45 x 15 mm** | Weight: **65 g**

