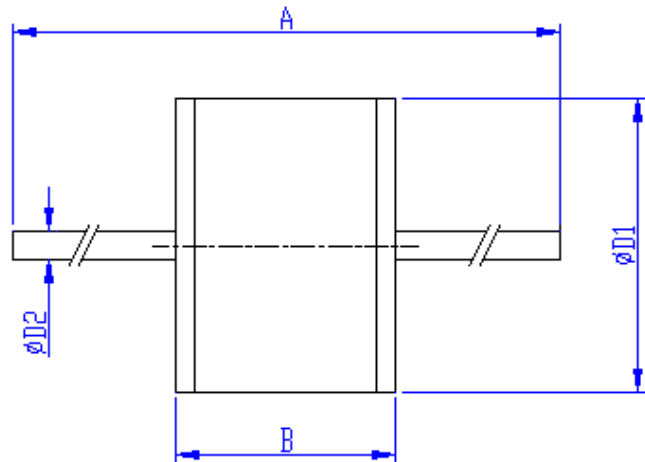
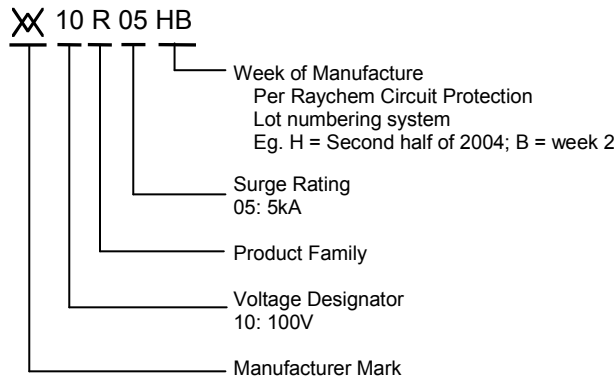


Specification Status: Released

Marking:

TABLE I. DIMENSIONS

	A		B		D1		D2
	MIN	MAX	MIN	MAX	MIN	MAX	NOM
mm	60.0	64.0	4.0	4.4	5.8	6.2	0.8
in*	(2.36)	(2.52)	(0.16)	(0.17)	(0.23)	(0.24)	(0.03)

*Rounded off approximation

TABLE II. Electrical Characteristics (Terms and tests in accordance with ITU-T K.12)

DC Sparkover Voltage	Impulse Sparkover Voltage		Insulation Resistance	Capacitance	Impulse Discharge Current 8/20 μ s
@ 100V/s	@100V/ μ s	@1000V/ μ s	@50V _{DC}	@1MHz	10 hits(5hits for each polarity)
100V \pm 20%	\leq 450V	\leq 550V	\geq 10,000M Ω	\leq 1.0pF	5kA

Impulse Discharge Current 10/1000 μ s	AC Discharge Current, 50 Hz
300 hits (150hits for each polarity)	Multiple Hits (1s duration: 10 Hits)
100A	5Arms

General Characteristics

No Radioactive Materials
 Storage temperature: -40°C ... +90°C
 Operating temperature: -40°C ... +90°C
 Electrode: Fe-Ni alloy, Ni plated
 Leads : Sn plated

MATERIALS INFORMATION

RoHS Compliant

ELV Compliant

 Directive 2002/95/EC
 Compliant

 Directive 2000/53/EC
 Compliant

Precedence:

This specification takes precedence over documents referenced herein.

Effectivity:

Reference documents shall be the issue in effect on the date of invitation for bid.

CAUTION:

Operation beyond the rated voltage or current may result in rupture, electrical arcing or flame.