

Specification Status: Released

Marking:

XX 09 R 02 GN

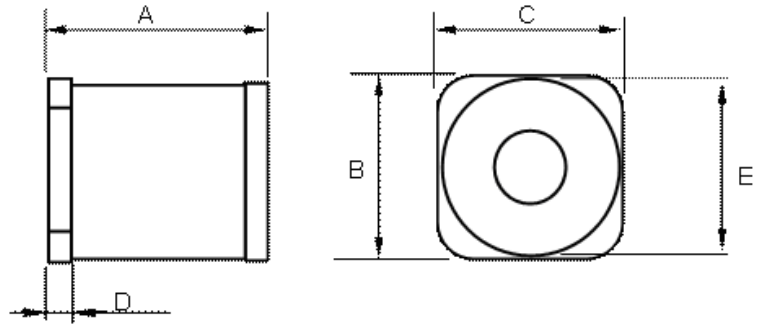
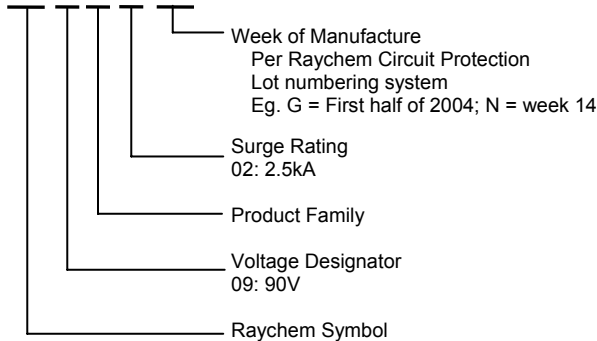


TABLE 1. DIMENSIONS

	A		B		C		D	E	
	Min	Max	Min	Max	Min	Max	Nom	Min	Max
mm	4.8	5.2	5.1	5.5	5.1	5.5	0.5	4.8	5.2
in*	(0.189)	(0.205)	(0.201)	(0.217)	(0.201)	(0.217)	(0.020)	(0.189)	(0.205)

*Rounded off approximation

TABLE 2. RECOMMENDED PAD LAYOUT

	X	Y	Z
	Nom	Nom	Nom
mm	5.0	4.2	1.3
in*	(0.197)	(0.165)	(0.051)

*Rounded off approximation

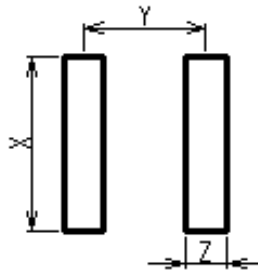


TABLE 3. ELECTRICAL CHARACTERISTICS

DC Spark over Voltage	Impulse Spark over Voltage	Insulation Resistance	Capacitance	Impulse Discharge Current 8/20 μ s	Impulse Discharge Current (8/20 μ s)	AC Discharge Current, 50 Hz
@ 100V/s	@1kV/ μ s	@50 V _{DC}	@ 1MHz	Single Impulse	Repeat 10 times (5 times, each polarity)	Repeat 5 times 1s
90V \pm 20%	600V	\geq 1,000M Ω	\leq 1.0pF	5kA	2.5kA	2.5A

General Characteristics

No Radioactive Materials

Storage temperature: -40°C ... +85°C

Operating temperature: -40°C ... +85°C

Materials Information

RoHS Compliant

ELV Compliant

Directive 2002/95/EC Compliant

Directive 2000/53/EC Compliant

UL: #E179610

Precedence: This specification takes precedence over documents referenced herein.

Effectivity: Reference documents shall be the issue in effect on the date of invitation for bid.

CAUTION: Operation beyond the rated voltage or current may result in rupture, electrical arcing or flame.

OBSOLETE
NOT the LATEST REVISION