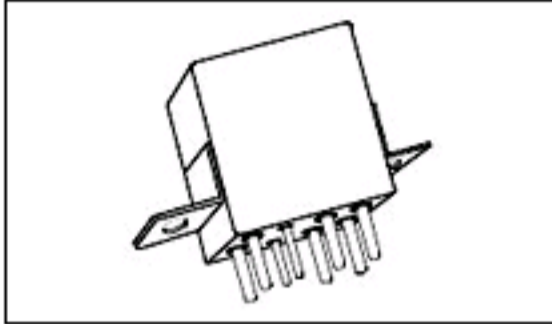




FCA-210-AY4 Product Details

[Share](#) | [Print](#) | [Email](#)


FCA-210-AY4
(8-1617751-1)

TE Internal Number: 8-1617751-1

 [Active](#)

Military/Aerospace Mid-Range Relays

[Not EU RoHS or ELV Compliant](#)

Product Highlights:

- FCA 10-25 Amp Relay Series
- DC Actuating System
- Coil - Rated Voltage = 28 VDC
- Coil Resistance = 320 Ω
- Contact Arrangement = 2 Form C, DPDT, 2 C/O

[View all Features](#)

Quick Links

- ▶ [Check Pricing & Availability](#)
- ▶ [Search for Tooling](#)
- ▶ [Product Feature Selector](#)
- ▶ [Contact Us About This Product](#)

[Add to My Part List](#)  [Request Sample](#)  [Find Similar Products](#)  [Buy Product](#)

Documentation & Additional Information

Product Drawings:

- [MSD RELAY](#) (PDF, English)

Catalog Pages/Data Sheets:

- None Available

Product Specifications:

- None Available

Application Specifications:

- None Available

Instruction Sheets:

- None Available

CAD Files:

- None Available

Additional Information:

- [Product Line Information](#)

Additional Product Images:

- [Dimensional Drawing](#)
- [Wiring Diagram](#)
- [Termination Type](#)

Related Products:

- [Tooling](#)

[List all Documents](#)

Product Features (Please use the Product Drawing for all design activity)

Product Type Features:

- Series = FCA 10-25 Amp Relay
- [Terminal Configuration](#) = Socket Pins

Electrical Characteristics:

- [Actuating System](#) = DC
- [Coil - Rated Voltage \(VDC\)](#) = 28
- Coil Resistance (Ω) = 320
- [Current Rating \(A\)](#) = 10
- Shock = 200G's, 6ms
- Vibration = 30G's, 33 to 3000Hz

Termination Features:

- [Terminal Plating](#) = Gold
- Auxiliary Contacts = Without

Body Features:

- Mount Type = Raised Vertical Flange Mount

Contact Features:

- Enclosure Type = Hermetically Sealed

Configuration Features:

- [Contact Arrangement](#) = 2 Form C, DPDT, 2 C/O
- [Coil Suppression Diode](#) = With
- Coil - Magnetic System = Polarized, Monostable

Industry Standards:

- Government/Industry Qualification = No
- [RoHS/ELV Compliance](#) = Not ELV/RoHS compliant
- [Lead Free Solder Processes](#) = Not relevant for lead free process

Other:

- Brand = CII

Corporate Information

[Who We Are](#)
[Investors](#)
[News Room](#)
[Supplier Portal](#)
[Careers](#)

Quick Links

[Check Distributor Inventory](#)
[Cross Reference](#)
[Find Documents & Drawings](#)
[Product Compliance Support Center](#)
[Site Map](#)

Customer Support

[Email or Chat With Us](#)
[Find a Phone Number](#)
[Search Knowledge Base](#)
[Manage your Account](#)

Keep Me Informed

Receive TE News, Events & Technology Updates

[>](#)

