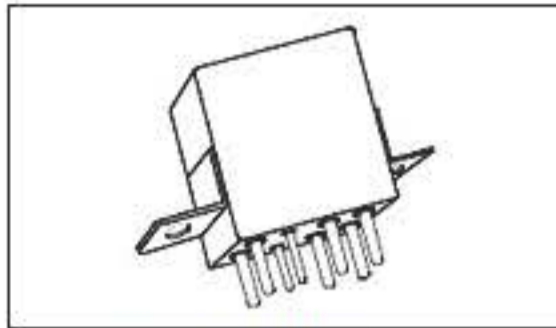




FCA-210-DY9 Product Details

[Share](#) | [Print](#) | [Email](#)


FCA-210-DY9
(1-1617752-6)

TE Internal Number: 1-1617752-6

Active

Military/Aerospace Mid-Range Relays

Not EU RoHS or ELV Compliant

Product Highlights:

- FCA 10-25 Amp Relay Series
- AC Actuating System
- Coil - Rated Voltage = 115 VAC
- Frequency = 50/400 Hz
- Contact - Arrangement = 2 Form C, DPDT, 2 C/O

[View all Features](#)

Quick Links

- ▶ [Pricing & Availability](#)
- ▶ [Search for Tooling](#)
- ▶ [Product Feature Selector](#)
- ▶ [Contact Us About This Product](#)

[Add to My Part List](#) [Request Sample](#) [Find Similar Products](#) [Buy Product](#)

Feedback

Documentation & Additional Information

Product Drawings:

- [MSD RELAY \(PDF, English\)](#)

Catalog Pages/Data Sheets:

- None Available

Product Specifications:

- None Available

Application Specifications:

- None Available

Instruction Sheets:

- None Available

CAD Files:

- None Available

Additional Information:

- [Product Line Information](#)

Additional Product Images:

- [Dimensional Drawing](#)
- [Wiring Diagram](#)
- [Terminal Type](#)

Related Products:

- [Tooling](#)

[List all Documents](#)

Product Features (Please use the Product Drawing for all design activity)

Product Type Features:

- Terminal Configuration = Socket Pins

Electrical Characteristics:

- Actuating System = AC
- Coil - Rated Voltage (VAC) = 115
- Frequency = 50/400 Hz
- Current Rating (A) = 10
- Coil Suppression Diode = Without
- Shock = 200G's, 6ms
- Vibration = 30G's, 33 to 3000Hz
- Back EMF Suppression (A) = Without

Body Features:

- Enclosure Type = Hermetically Sealed
- Mount Type = Raised Vertical Flange Mount
- Terminal Plating = Gold

Contact Features:

- Auxiliary Contacts = Without

Configuration Features:

- Contact - Arrangement = 2 Form C, DPDT, 2 C/O
- Coil - Magnetic System = Polarized, Monostable

Industry Standards:

- Government/Industry Qualification = No
- RoHS/ELV Compliance = Not ELV/RoHS compliant
- Lead Free Solder Processes = Not relevant for lead free process

Other:

- Series = FCA 10-25 Amp Relay
- Brand = CII

Corporate Information

- [About TE](#)
- [Investors](#)
- [News Room](#)
- [Supplier Portal](#)
- [Careers](#)
- [Terms & Conditions](#)
- [Privacy Policy](#)
- [AODA Accessibility Policy](#)
- [AODA Multi-Year Accessibility Plan](#)

Quick Links

- [Distributor Inventory](#)
- [Product Cross Reference](#)
- [Documents & Drawings](#)
- [Product Compliance Support Center](#)
- [Site Map](#)

Customer Support

- [Email or Chat With Us](#)
- [Find a Phone Number](#)
- [Knowledge Base](#)
- [Manage Your Account](#)

Keep Me Informed

