



Muffin - MC24G3 - 032143 - Yes
 (Family) (Model) (Part #) (In Stock)

Electrical Specifications

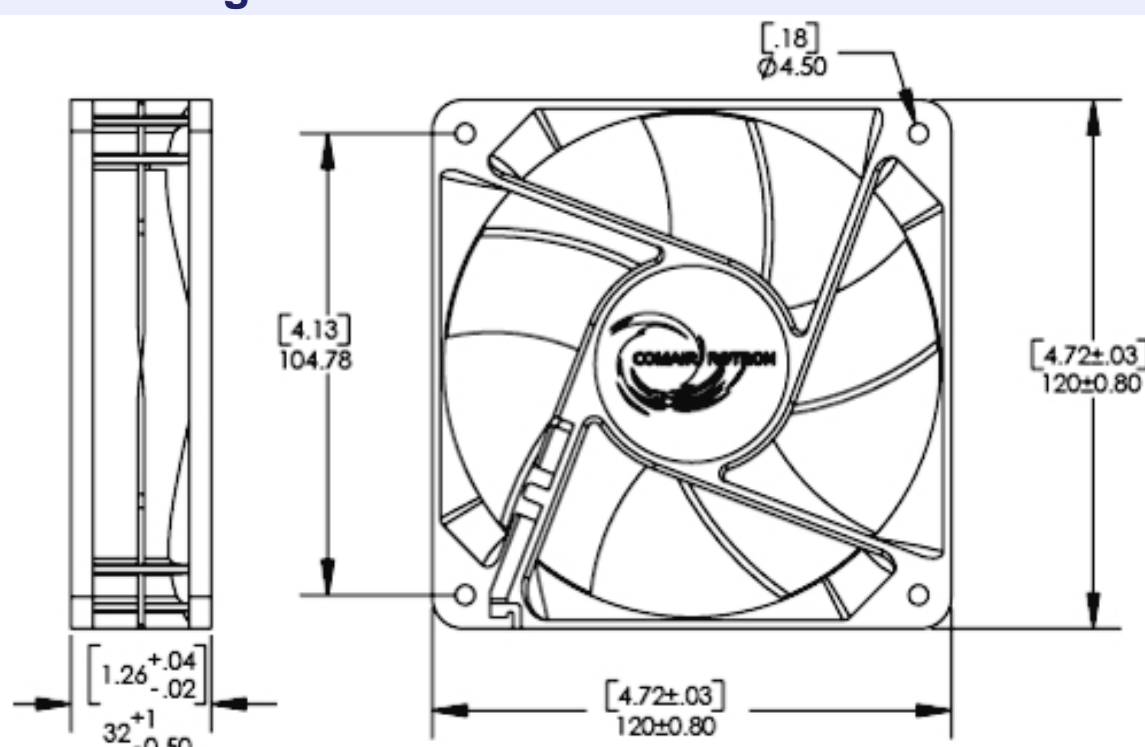
Operating Voltage:	24 Volts
Voltage Range:	12 - 28 Volts
Power Supply:	4.8 Watts
Line Current:	0.20 Amps
Locked Rotor Current:	0.50 Amps
Nominal Speed:	3000 RPM

Mechanical Specifications

Dimensions:	4.7 x 4.7 x 1.3 in
Weight:	8.5 oz
Max Airflow @ 0 in H ₂ O:	80.0 CFM
Max Pressure @ 0 CFM:	0.269 in H ₂ O
Noise:	41.9 dBA



Mechanical Drawing



Comair Rotron, Inc. Phone: 858.348.6200 FAX: 858.566.4577 sales@comairrotron.com	ThermaFlo, Inc. Phone: 972.312.8609 FAX: 972.312.8617 info@thermaflo.com	Comair Rotron Europe, Ltd. Phone: +44.1527.520525 FAX: +44.1527.520565 sales@comairrotron.com	Comair Rotron Fan Company Ltd. Phone: +86.21.52260581 FAX: +86.21.52260597 salesasia@comairrotron.com
---	---	--	--

Print Date: Saturday, August 18, 2007 at 23:48:29 - DC Fan Datasheet - Web Version 1.0 Rev. B



Fan Performance Curve

Fan Configuration Options

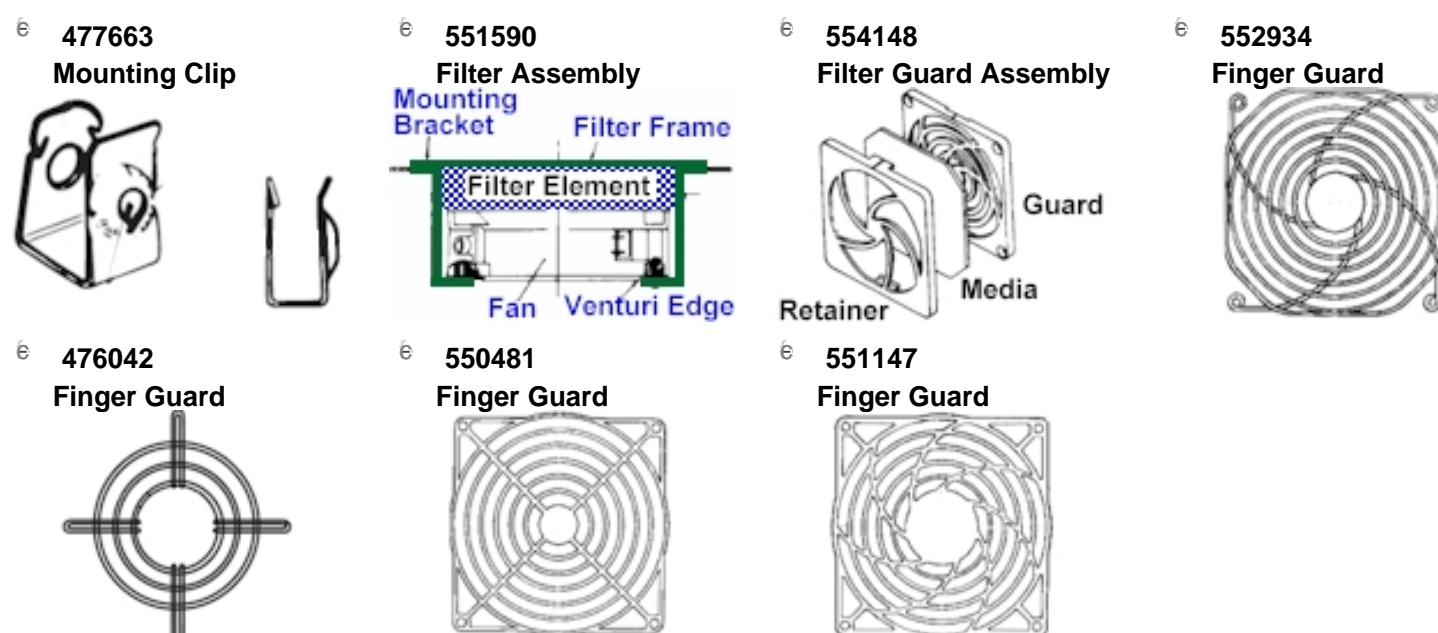
Muffin (Family)	MC24G3 (Model)	/	032143 (Part #)	Yes (In Stock)	305 mm [12 inch] Leads (Features)
Fan Speed:	3000 RPM	Fan Bearings:	Sleeve Bearings		
Fan Airflow Direction:	Flow R (CCW Rotation)	Fan Termination:	Leads		
Fan Monitoring Options:	No Fan Monitoring Options Selected				
Fan Speed Control Option:	No ThermaPro -V Fan Speed Control Options Selected				
Environmental Protection Options:	No Enviroshield Options Selected				

Comair Rotron, Inc. Phone: 858.348.6200 FAX: 858.566.4577 sales@comairrotron.com	ThermaFlo, Inc. Phone: 972.312.8609 FAX: 972.312.8617 info@thermaflo.com	Comair Rotron Europe, Ltd. Phone: +44.1527.520525 FAX: +44.1527.520565 sales@comairrotron.com	Comair Rotron Fan Company Ltd. Phone: +86.21.52260581 FAX: +86.21.52260597 salesasia@comairrotron.com
---	---	--	--

Print Date: Saturday, August 18, 2007 at 23:48:29 - DC Fan Datasheet - Web Version 1.0 Rev. B



Accessories (Click on part number for detailed drawing.)



Comair Rotron, Inc. Phone: 858.348.6200 FAX: 858.566.4577 sales@comairrotron.com	ThermaFlo, Inc. Phone: 972.312.8609 FAX: 972.312.8617 info@thermaflo.com	Comair Rotron Europe, Ltd. Phone: +44.1527.520525 FAX: +44.1527.520565 sales@comairrotron.com	Comair Rotron Fan Company Ltd. Phone: +86.21.52260581 FAX: +86.21.52260597 salesasia@comairrotron.com
---	---	--	--

Print Date: Saturday, August 18, 2007 at 23:48:29 - DC Fan Datasheet - Web Version 1.0 Rev. B