



Muffin - MC12B3QDNX - 039136 - No
 (Family) (Model) (Part #) (In Stock)

Electrical Specifications

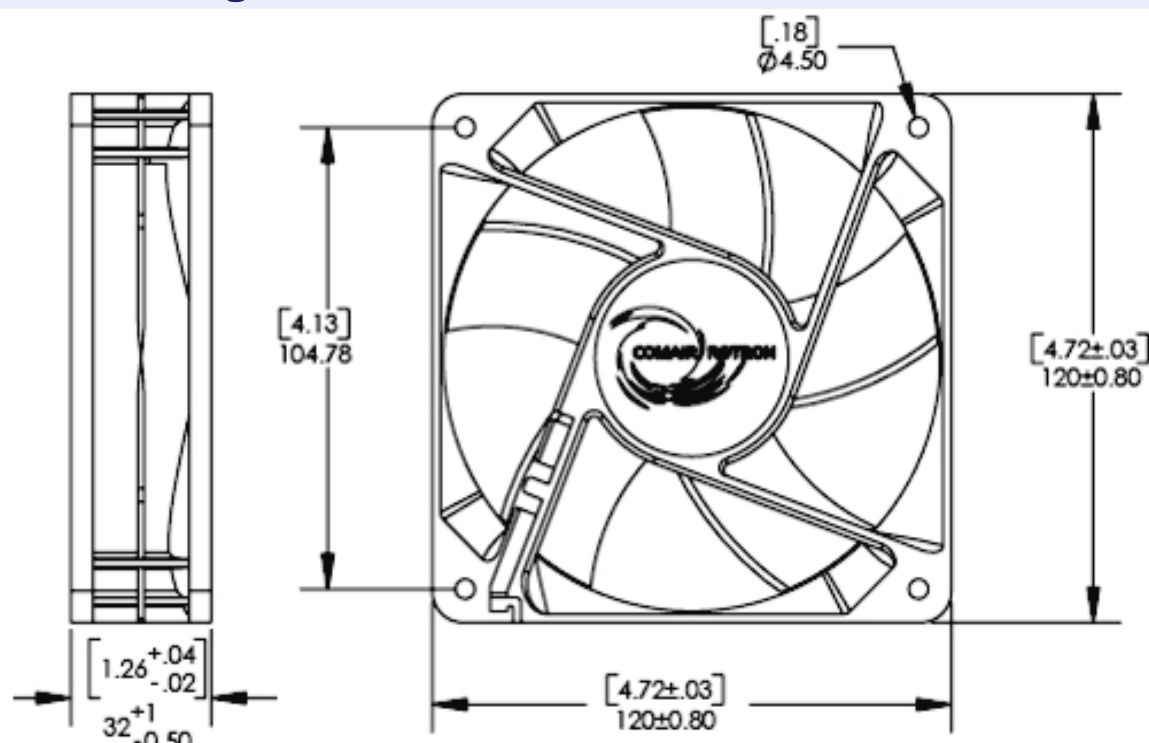
| | |
|-----------------------|--------------|
| Operating Voltage: | 12 Volts |
| Voltage Range: | 6 - 14 Volts |
| Power Supply: | 7.9 Watts |
| Line Current: | 0.66 Amps |
| Locked Rotor Current: | 1.75 Amps |
| Nominal Speed: | 3700 RPM |



Mechanical Specifications

| | |
|--------------------------------------|---------------------------|
| Dimensions: | 4.7 x 4.7 x 1.3 in |
| Weight: | 8.5 oz |
| Max Airflow @ 0 in H ₂ O: | 102.0 CFM |
| Max Pressure @ 0 CFM: | 0.350 in H ₂ O |
| Noise: | 47.8 dBA |

Mechanical Drawing



| | | | |
|-------------------------------------------------------------------------------------------|-----------------------------------------------------------------------------------|--------------------------------------------------------------------------------------------------------------|----------------------------------------------------------------------------------------------------------------|
| Comair Rotron, Inc. Phone: 858.348.6200 FAX: 858.566.4577 sales@comairrotron.com | ThermaFlo, Inc. Phone: 972.312.8609 FAX: 972.312.8617 info@thermaflo.com | Comair Rotron Europe, Ltd. Phone: +44.1527.520525 FAX: +44.1527.520565 saleseurope@comairrotron.com | Comair Rotron Fan Company Ltd. Phone: +86.21.52260581 FAX: +86.21.52260597 salesasia@comairrotron.com |
|-------------------------------------------------------------------------------------------|-----------------------------------------------------------------------------------|--------------------------------------------------------------------------------------------------------------|----------------------------------------------------------------------------------------------------------------|

Print Date: Saturday, August 18, 2007 at 23:56:14 - DC Fan Datasheet - Web Version 1.0 Rev. B



Fan Performance Curve

Fan Configuration Options

| | | | | |
|-----------------------------------|-----------------------------------------------------------------------------------------------------|-----------------------------|-------------------------|---------------------------------------------------------------|
| Muffin (Family) | MC12B3QDNX (Model) | / 039136 (Part #) | No (In Stock) | 305 mm [12 inch] Leads 6/32 Threaded Inserts (Features) |
| Fan Speed: | 3700 RPM | Fan Bearings: | Ball Bearings | |
| Fan Airflow Direction: | Flow R (CCW Rotation) | Fan Termination: | Leads | |
| Fan Monitoring Options: | Fan Performance Sensor with Options Output=Open Collector Delay=10 ± 4 seconds Not Latched | | | |
| Fan Speed Control Option: | No ThermaPro -V Fan Speed Control Options Selected | | | |
| Environmental Protection Options: | No Enviroshield Options Selected | | | |

| | | | |
|-------------------------------------------------------------------------------------------|-----------------------------------------------------------------------------------|--------------------------------------------------------------------------------------------------------------|----------------------------------------------------------------------------------------------------------------|
| Comair Rotron, Inc. Phone: 858.348.6200 FAX: 858.566.4577 sales@comairrotron.com | ThermaFlo, Inc. Phone: 972.312.8609 FAX: 972.312.8617 info@thermaflo.com | Comair Rotron Europe, Ltd. Phone: +44.1527.520525 FAX: +44.1527.520565 saleseurope@comairrotron.com | Comair Rotron Fan Company Ltd. Phone: +86.21.52260581 FAX: +86.21.52260597 salesasia@comairrotron.com |
|-------------------------------------------------------------------------------------------|-----------------------------------------------------------------------------------|--------------------------------------------------------------------------------------------------------------|----------------------------------------------------------------------------------------------------------------|

Print Date: Saturday, August 18, 2007 at 23:56:14 - DC Fan Datasheet - Web Version 1.0 Rev. B



Accessories (Click on part number for detailed drawing.)

| | | | |
|---------------------------------|-----------------------------------|-----------------------------------------|--------------------------------|
| <p>477663 Mounting Clip</p> | <p>551590 Filter Assembly</p> | <p>554148 Filter Guard Assembly</p> | <p>552934 Finger Guard</p> |
| <p>476042 Finger Guard</p> | <p>550481 Finger Guard</p> | <p>551147 Finger Guard</p> | |

| | | | |
|-------------------------------------------------------------------------------------------|-----------------------------------------------------------------------------------|--------------------------------------------------------------------------------------------------------------|----------------------------------------------------------------------------------------------------------------|
| Comair Rotron, Inc. Phone: 858.348.6200 FAX: 858.566.4577 sales@comairrotron.com | ThermaFlo, Inc. Phone: 972.312.8609 FAX: 972.312.8617 info@thermaflo.com | Comair Rotron Europe, Ltd. Phone: +44.1527.520525 FAX: +44.1527.520565 saleseurope@comairrotron.com | Comair Rotron Fan Company Ltd. Phone: +86.21.52260581 FAX: +86.21.52260597 salesasia@comairrotron.com |
|-------------------------------------------------------------------------------------------|-----------------------------------------------------------------------------------|--------------------------------------------------------------------------------------------------------------|----------------------------------------------------------------------------------------------------------------|

Print Date: Saturday, August 18, 2007 at 23:56:14 - DC Fan Datasheet - Web Version 1.0 Rev. B