



Galaxy - GL24H4V - 031081 - No
 (Family) (Model) (Part #) (In Stock)

Electrical Specifications

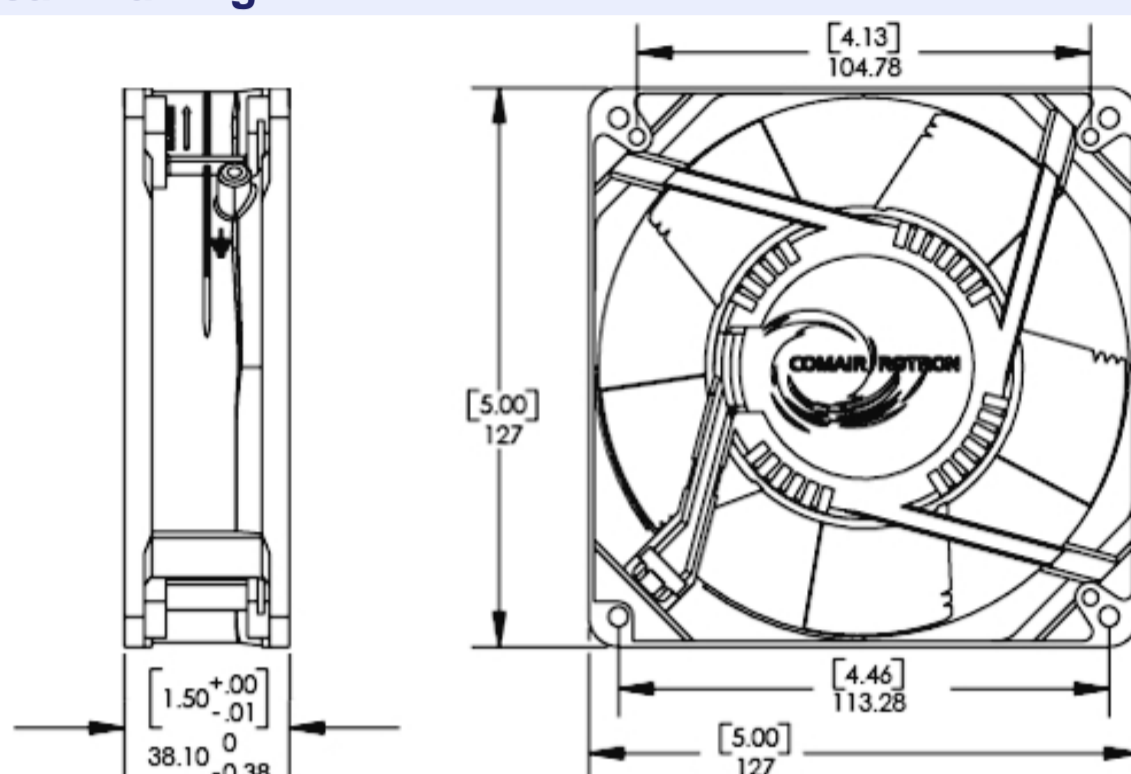
Operating Voltage:	24 Volts
Voltage Range:	12 - 28 Volts
Power Supply:	9.0 Watts
Line Current:	0.38 Amps
Locked Rotor Current	1.15 Amps
Nominal Speed:	2400 RPM



Mechanical Specifications

Dimensions:	5.0 x 5.0 x 1.5 in
Weight	21.9 oz
Max Airflow @ 0 in H ₂ O	110.0 CFM
Max Pressure @ 0 CFM	0.280 in H ₂ O
Noise	45.8 dBA

Mechanical Drawing



Comair Rotron, Inc.
 Phone: 858.348.6200
 FAX: 858.566.4577
 sales@comairrotron.com

ThermaFlo, Inc.
 Phone: 972.312.8609
 FAX: 972.312.8617
 info@thermaflo.com

Comair Rotron Europe, Ltd.
 Phone: +44.1527.520525
 FAX: +44.1527.520565
 saleseurope@comairrotron.com

Comair Rotron Fan Company Ltd.
 Phone: +86.21.52260581
 FAX: +86.21.52260597
 salesasia@comairrotron.com

Print Date: Saturday, August 18, 2007 at 23:38:11

- DC Fan Datasheet - Web Version 1.0 Rev. B



Fan Performance Curve

Fan Configuration Options

Galaxy (Family)	GL24H4V (Model)	/	031081 (Part #)	No (In Stock)	Terminals (Features)
Fan Speed:	2400 RPM			Fan Bearings:	Ball Bearings
Fan Airflow Direction:	Flow R (CCW Rotation)			Fan Termination:	Terminals
Fan Monitoring Options:	No Fan Monitoring Options Selected				
Fan Speed Control Option:	No ThermaPro -V Fan Speed Control Options Selected				
Environmental Protection Options:	No Enviroshield Options Selected				

Comair Rotron, Inc.
 Phone: 858.348.6200
 FAX: 858.566.4577
 sales@comairrotron.com

ThermaFlo, Inc.
 Phone: 972.312.8609
 FAX: 972.312.8617
 info@thermaflo.com

Comair Rotron Europe, Ltd.
 Phone: +44.1527.520525
 FAX: +44.1527.520565
 saleseurope@comairrotron.com

Comair Rotron Fan Company Ltd.
 Phone: +86.21.52260581
 FAX: +86.21.52260597
 salesasia@comairrotron.com

Print Date: Saturday, August 18, 2007 at 23:38:11

- DC Fan Datasheet - Web Version 1.0 Rev. B



Accessories (Click on part number for detailed drawing.)

550113
Mounting Clip



557216
Finger Guard



550651
Finger Guard



Comair Rotron, Inc.
 Phone: 858.348.6200
 FAX: 858.566.4577
 sales@comairrotron.com

ThermaFlo, Inc.
 Phone: 972.312.8609
 FAX: 972.312.8617
 info@thermaflo.com

Comair Rotron Europe, Ltd.
 Phone: +44.1527.520525
 FAX: +44.1527.520565
 saleseurope@comairrotron.com

Comair Rotron Fan Company Ltd.
 Phone: +86.21.52260581
 FAX: +86.21.52260597
 salesasia@comairrotron.com

Print Date: Saturday, August 18, 2007 at 23:38:11

- DC Fan Datasheet - Web Version 1.0 Rev. B