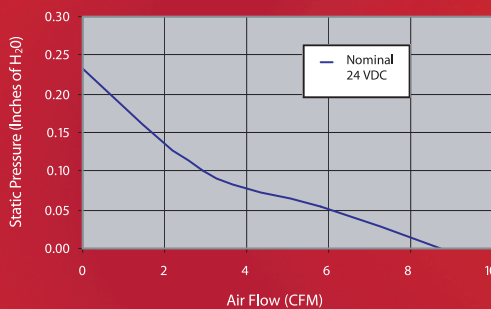
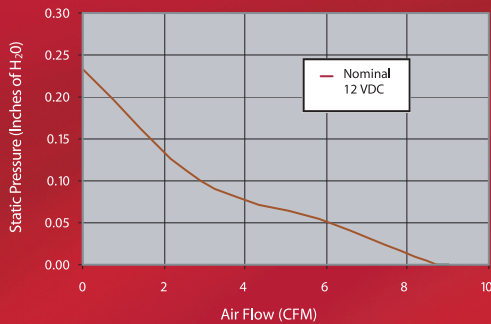




# DC Fans

40 X 40 X 20 mm

## :: Pressure (P) vs. Flow (Q) Curves



## Standard Features

- Size: (L x W x H), 1.57" x 1.57" x 0.78" (40mm x 40mm x 20mm)
- Airflow: 14.81m<sup>3</sup>/hour (8.73 CFM)
- Noise Level: 30.92 dBA, as measured in free air and with the microphone 1 meter from the air intake side of the fan
- Nominal Operating Voltage: 12 or 24 VDC
- Operating Temperature: -10° C to +70° C
- Storage Temperature: -40° C to +80° C
- Weight: 29 g (0.06 lbs)
- The motor is impedance protected to prevent burn-out if obstructed
- Termination: 240mm (9.44") Leadwires; 28 AWG, UL 1007; Red - Positive; Black - Negative; White - tachometer
- Impeller: Black, UL94-VO rated thermoplastic
- Housing: Black, UL94-VO rated thermoplastic
- Airflow Direction: Intake over the fan struts

## Benefits

- High performance, low cost fan minimising design and inventory costs
- Integral Open Collector tachometer wire supplied as standard, for optional use, eliminating the need for a custom alternative fan
- Two ball bearing systems per fan, providing high lifetime reliability

40 X 40 X 20 mm

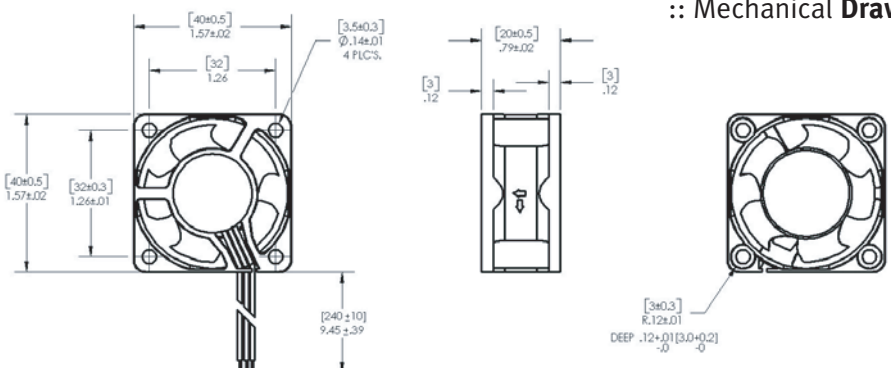
## :: Product table

Part No.	Rated Voltage VDC	Operating Voltage Range VDC	Rated Current Amps	Rated Input Power Watts	Speed RPM	Maximum Airflow		Maximum Air Pressure		Noise dBA	Tach
						m <sup>3</sup> /hour	CFM	mm H <sub>2</sub> O	in H <sub>2</sub> O		
GDA4020-12BB	12	6.0 - 13.8	0.12	1.44	8000	14.81	8.73	5.87	0.23	30.92	Yes
GDA4020-24BB	24	12.0 - 27.6	0.07	1.68	8000	14.81	8.73	5.87	0.23	30.92	Yes



- \* The maximum airflow and speed are measured in free air, at an ambient temperature of 25°c.
- \* The maximum air pressure is measured with zero airflow, at an ambient temperature of 25°c.
- \* The fan noise level is measured in a semi-anechoic chamber, where the background noise level below 18 dBA (+/- 1 dBA).
- \* All readings are typical values at the rated voltage.
- \* Specifications are subject to change without notice.
- \* For more detailed specifications or other requests, please contact Comair Rotron Technical Support.

rev 4/05



## :: Mechanical Drawing