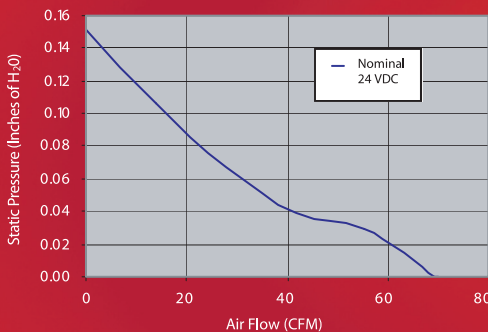
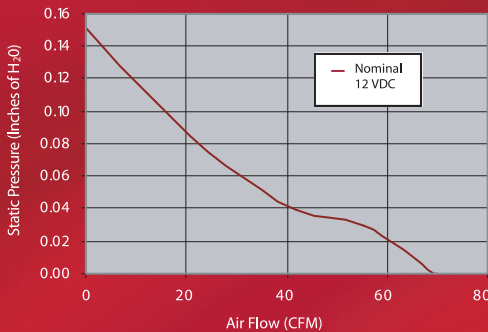




DC Fans

120 X 120 X 25 mm

Pressure (P) vs. Flow (Q) Curves



Standard Features

- Size: (L x W x H), 4.92" x 4.92" x 0.98" (120mm x 120mm x 25mm)
- Airflow: 117.91m³/hour (69.36 CFM)
- Noise Level: 39.08 dBA, as measured in free air and with the microphone 1 meter from the air intake side of the fan
- Nominal Operating Voltage: 12 or 24 VDC
- Operating Temperature: -10° C to +70° C
- Storage Temperature: -40° C to +80° C
- Weight: 164 g (0.36 lbs)
- The motor is impedance protected to prevent burn-out if obstructed
- Termination: 200mm (7.87") Leadwires; 24 AWG, UL 1007; Red - Positive; Black - Negative; White - tachometer
- Impeller: Black, UL94-VO rated thermoplastic
- Housing: Black, UL94-VO rated thermoplastic
- Airflow Direction: Intake over the fan struts

Benefits

- High performance, low cost fan minimising design and inventory costs
- Integral Open Collector tachometer wire supplied as standard, for optional use, eliminating the need for a custom alternative fan
- Two ball bearing systems per fan, providing high lifetime reliability.
- Auto-restart feature, once obstruction removed

120 X 120 X 25 mm

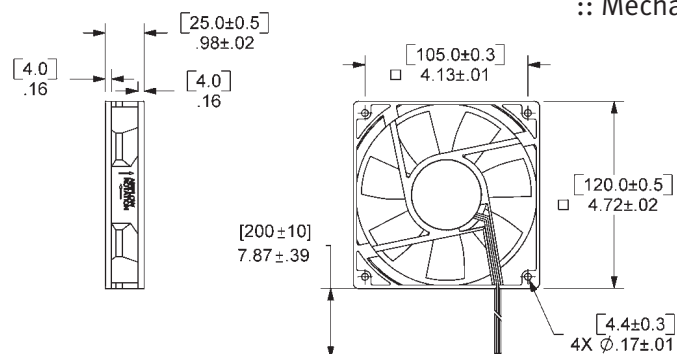
Product table

Part No.	Rated Voltage VDC	Operating Voltage Range VDC	Rated Current Amps	Rated Input Power Watts	Speed RPM	Maximum Airflow		Maximum Air Pressure		Noise dBA	Tach
						m ³ /hour	CFM	mm H ₂ O	in H ₂ O		
GDA1225-12BB	12	6.0 - 13.8	0.40	4.8	2400	117.91	69.36	3.84	0.15	39.08	Yes
GDA1225-24BB	24	12.0 - 27.6	0.35	8.4	2400	117.91	69.36	3.84	0.15	39.08	Yes



- * The maximum airflow and speed are measured in free air, at an ambient temperature of 25°C.
- * The maximum air pressure is measured with zero airflow, at an ambient temperature of 25°C.
- * The fan noise level is measured in a semi-anechoic chamber, where the background noise is below 18 dBA (+/-1 dBA).
- * All readings are typical values at the rated voltage.
- * Specifications are subject to change without notice.
- * For more detailed specifications or other requests, please contact Comair Rotron Technical Support.

rev 4/05



120 X 120 X 25 mm Mechanical Drawing