



Diplomat - DD402124K1R -039824 - No
 (Family) (Model) (Part #) (In Stock)

Electrical Specifications

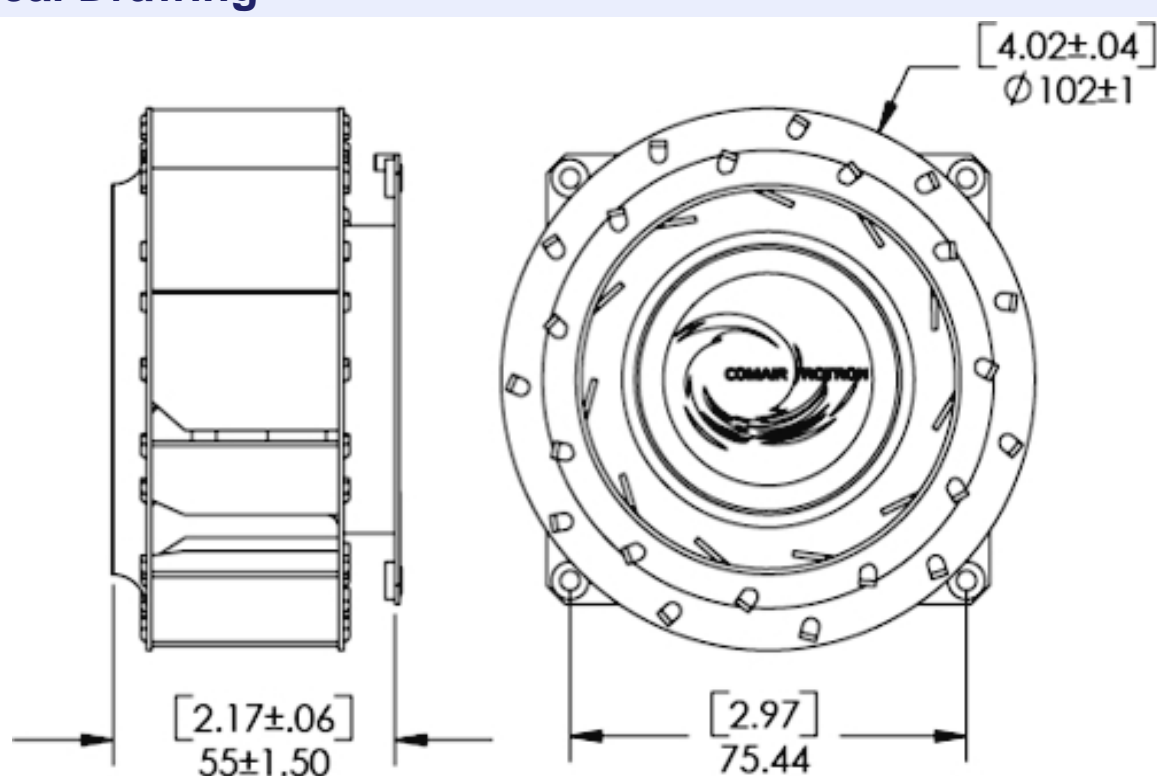
| | |
|----------------------|---------------|
| Operating Voltage: | 24 Volts |
| Voltage Range: | 12 - 32 Volts |
| Power Supply: | 32.0 Watts |
| Line Current: | 1.33 Amps |
| Locked Rotor Current | 2.30 Amps |
| Nominal Speed: | 5865 RPM |



Mechanical Specifications

| | |
|-------------------------------------|---------------------------|
| Dimensions: | 4.0 x 4.0 x 2.2 in |
| Weight | 12.7 oz |
| Max Airflow @ 0 in H ₂ O | 115.0 CFM |
| Max Pressure @ 0 CFM | 2.210 in H ₂ O |
| Noise | 68.0 dBA |

Mechanical Drawing



Comair Rotron, Inc.
 Phone: 858.348.6200
 FAX: 858.566.4577
 sales@comairrotron.com

ThermaFlo, Inc.
 Phone: 972.312.8609
 FAX: 972.312.8617
 info@thermaflo.com

Comair Rotron Europe, Ltd.
 Phone: +44.1527.520525
 FAX: +44.1527.520565
 saleseurope@comairrotron.com

Comair Rotron Fan Company Ltd.
 Phone: +86.21.52260581
 FAX: +86.21.52260597
 salesasia@comairrotron.com

Print Date: Saturday, August 18, 2007 at 23:56:11 - DC Impeller Datasheet - Web Version 1.0 Rev. B



Impeller Performance Curve

Impeller Configuration Options

Diplomat (Family) **DD402124K1R** (Model) / **039824** (Part #) **No** (In Stock) 305 mm [12 inch] Leads (Features)

| | | | |
|-----------------------------|---------------------------|-----------------------|---------------|
| Impeller Speed: | 5865 RPM | Impeller Bearings: | Ball Bearings |
| Impeller Airflow Direction: | Centrifugal (CW Rotation) | Impeller Termination: | Leads |

Impeller Monitoring Options: TTL (+5V) Tachometer Output (1 Pulse/Rev)

Impeller Speed Control Option: No Speed Control Options Selected

Environmental Protection Options: No Enviroshield Options Selected

Comair Rotron, Inc.
 Phone: 858.348.6200
 FAX: 858.566.4577
 sales@comairrotron.com

ThermaFlo, Inc.
 Phone: 972.312.8609
 FAX: 972.312.8617
 info@thermaflo.com

Comair Rotron Europe, Ltd.
 Phone: +44.1527.520525
 FAX: +44.1527.520565
 saleseurope@comairrotron.com

Comair Rotron Fan Company Ltd.
 Phone: +86.21.52260581
 FAX: +86.21.52260597
 salesasia@comairrotron.com

Print Date: Saturday, August 18, 2007 at 23:56:11 - DC Impeller Datasheet - Web Version 1.0 Rev. B



Comair Rotron, Inc.
 Phone: 858.348.6200
 FAX: 858.566.4577
 sales@comairrotron.com

ThermaFlo, Inc.
 Phone: 972.312.8609
 FAX: 972.312.8617
 info@thermaflo.com

Comair Rotron Europe, Ltd.
 Phone: +44.1527.520525
 FAX: +44.1527.520565
 saleseurope@comairrotron.com

Comair Rotron Fan Company Ltd.
 Phone: +86.21.52260581
 FAX: +86.21.52260597
 salesasia@comairrotron.com

Print Date: Saturday, August 18, 2007 at 23:56:11 - DC Impeller Datasheet - Web Version 1.0 Rev. B