



Flight LT - **CR0924LB -** **-032772 - No**
92x25 - **A70GL**
 (Family) (Model) (Part #) (In Stock)



Electrical Specifications

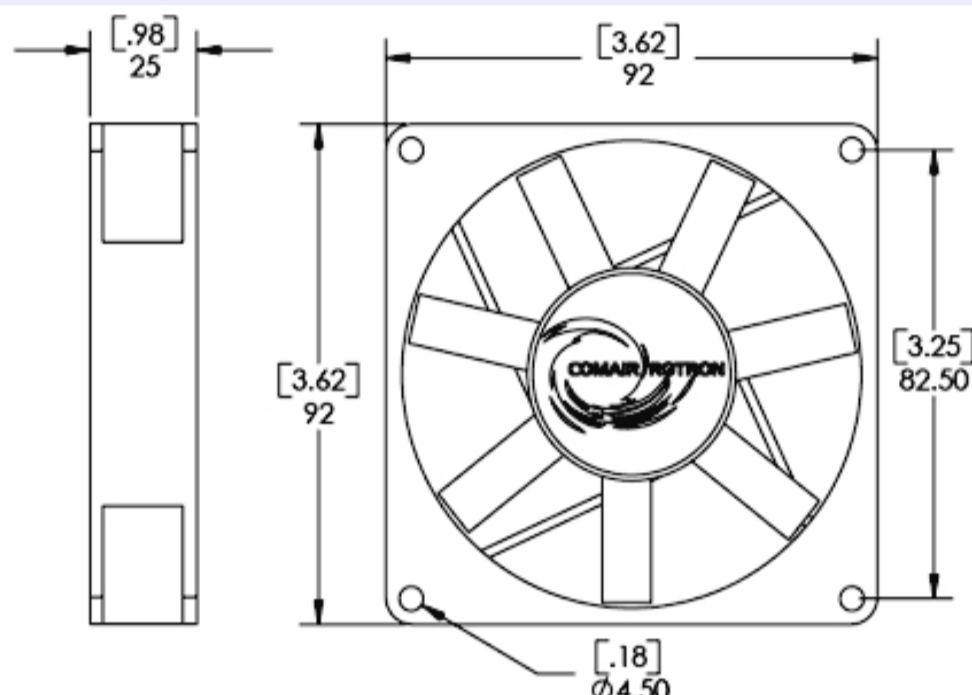
| | |
|-----------------------|-------------------|
| Operating Voltage: | 24 Volts |
| Voltage Range: | 21.6 - 26.4 Volts |
| Power Supply: | 1.8 Watts |
| Line Current: | 0.08 Amps |
| Locked Rotor Current: | 0.08 Amps |
| Nominal Speed: | 2200 RPM |

Mechanical Specifications

| | |
|--------------------------------------|---------------------------|
| Dimensions: | 3.6 x 3.6 x 1.0 in |
| Weight: | 3.6 oz |
| Max Airflow @ 0 in H ₂ O: | 36.0 CFM |
| Max Pressure @ 0 CFM: | 0.087 in H ₂ O |
| Noise: | 26.5 dBA |



Mechanical Drawing



| | | | |
|---|---|--|--|
| Comair Rotron, Inc. Phone: 858.348.6200 FAX: 858.566.4577 sales@comairrotron.com | ThermaFlo, Inc. Phone: 972.312.8609 FAX: 972.312.8617 info@thermaflo.com | Comair Rotron Europe, Ltd. Phone: +44.1527.520525 FAX: +44.1527.520565 saleseurope@comairrotron.com | Comair Rotron Fan Company Ltd. Phone: +86.21.52260581 FAX: +86.21.52260597 salesasia@comairrotron.com |
|---|---|--|--|

Print Date: Saturday, August 18, 2007 at 23:47:50 - DC Fan Datasheet - Web Version 1.0 Rev. B



Fan Performance Curve

Fan Configuration Options

Flight LT 92x25 (Family) / **CR0924LB - A70GL** (Model) / **032772** (Part #) / **No** (In Stock)

| | | | |
|------------------------|-----------------------|------------------|---------------|
| Fan Speed: | 2200 RPM | Fan Bearings: | Ball Bearings |
| Fan Airflow Direction: | Flow R (CCW Rotation) | Fan Termination: | Leads |

Fan Monitoring Options: No Fan Monitoring Options Selected

Fan Speed Control Option: No ThermaPro -V Fan Speed Control Options Selected

Environmental Protection Options: No Enviroshield Options Selected

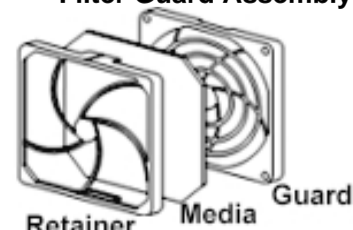
| | | | |
|---|---|--|--|
| Comair Rotron, Inc. Phone: 858.348.6200 FAX: 858.566.4577 sales@comairrotron.com | ThermaFlo, Inc. Phone: 972.312.8609 FAX: 972.312.8617 info@thermaflo.com | Comair Rotron Europe, Ltd. Phone: +44.1527.520525 FAX: +44.1527.520565 saleseurope@comairrotron.com | Comair Rotron Fan Company Ltd. Phone: +86.21.52260581 FAX: +86.21.52260597 salesasia@comairrotron.com |
|---|---|--|--|

Print Date: Saturday, August 18, 2007 at 23:47:50 - DC Fan Datasheet - Web Version 1.0 Rev. B



Accessories (Click on part number for detailed drawing.)

557218 Filter Guard Assembly



554172 Finger Guard



| | | | |
|---|---|--|--|
| Comair Rotron, Inc. Phone: 858.348.6200 FAX: 858.566.4577 sales@comairrotron.com | ThermaFlo, Inc. Phone: 972.312.8609 FAX: 972.312.8617 info@thermaflo.com | Comair Rotron Europe, Ltd. Phone: +44.1527.520525 FAX: +44.1527.520565 saleseurope@comairrotron.com | Comair Rotron Fan Company Ltd. Phone: +86.21.52260581 FAX: +86.21.52260597 salesasia@comairrotron.com |
|---|---|--|--|

Print Date: Saturday, August 18, 2007 at 23:47:50 - DC Fan Datasheet - Web Version 1.0 Rev. B